



ALTEX[®]

SunProject[™]

line of products

ROLLER SHADING SYSTEMS

LITE-LIFT[®]

ELEKTRA



PRODUCT OVERVIEW

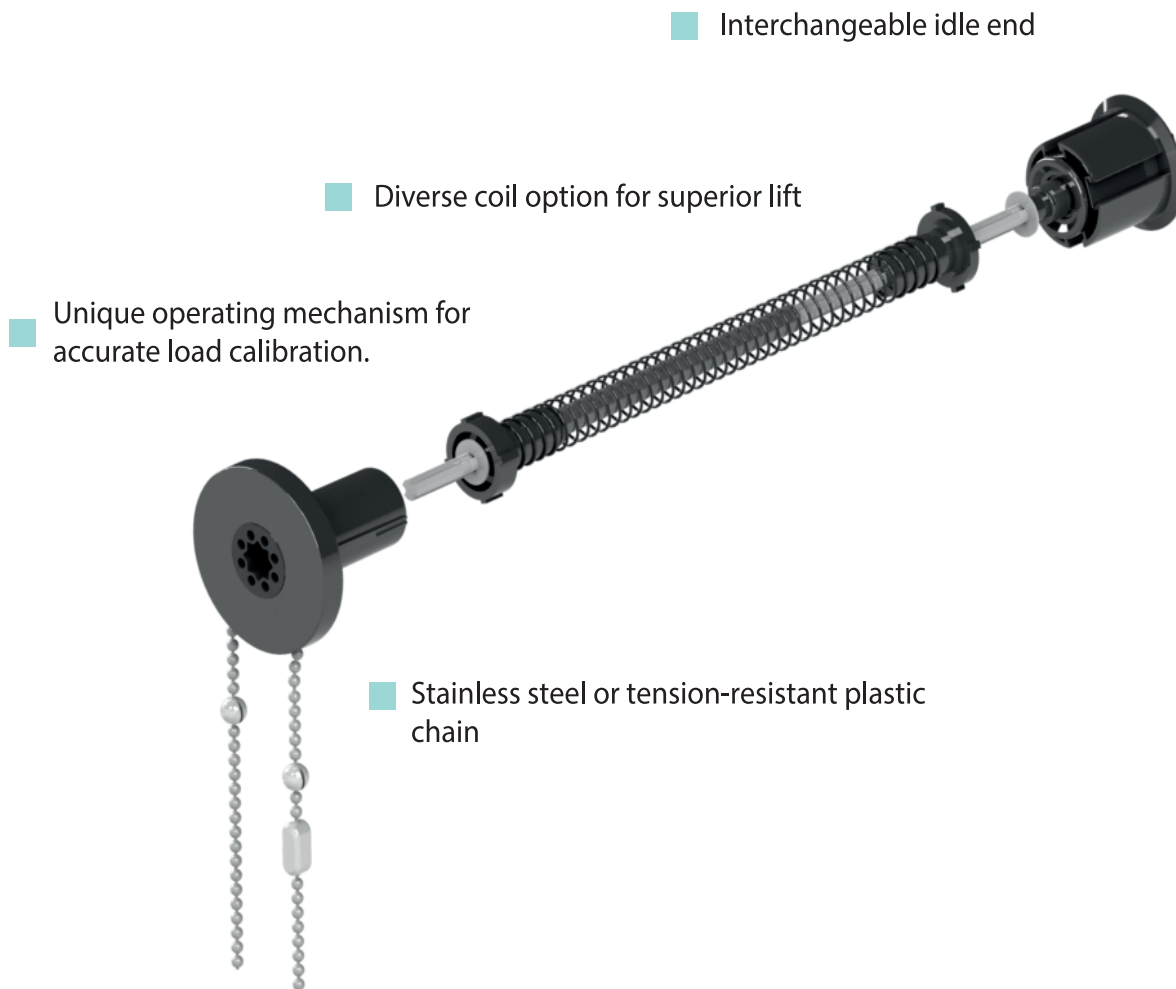


Our SunProject Chain Operated Shades Feature Lite[®]Lift a smooth state of the art easy lift activated mechanism.

- Lite-Lift[®] provides a smooth constant effortless lift of all shades with finger tip control.
- Lite-Lift[®] alleviates stress on the chain and avoids chain breakage (Major cause of maintenance associated with chain operated shades).
- Shade can be pulled down by the bottom bar (without stripping or damaging the mechanism) without having to pull from the chain.

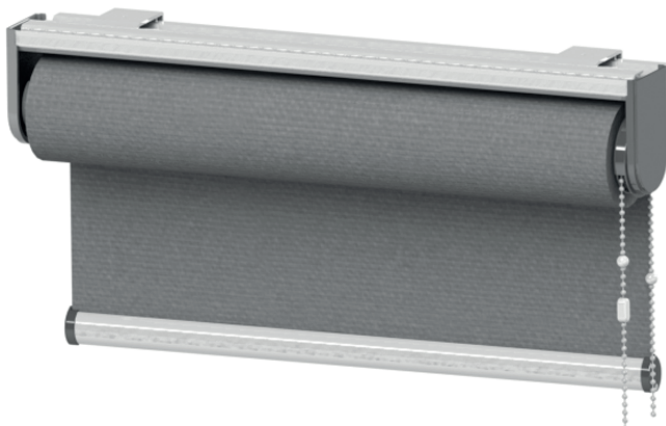
Shade mechanism cannot be stripped or damaged!

Virtually lasts forever. **Durable - Heavy use design**, important in commercial applications where products are subject to abuse.

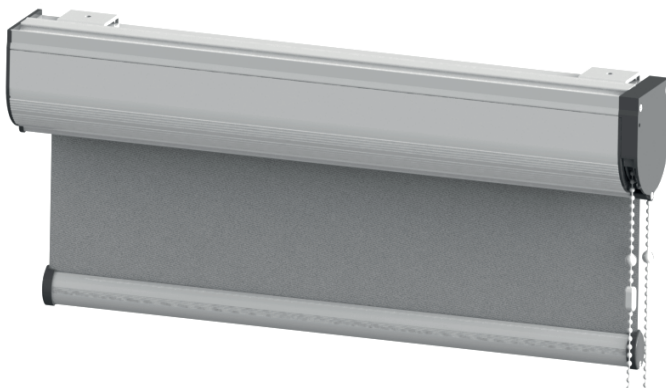




DEKO[®]
LITE-LIFT[®] CHAIN OPERATED
OPEN ROLL OR-45
SHADE HOLDER: **STANDARD**



DEKO[®]
LITE-LIFT[®] CHAIN OPERATED
OPEN ROLL OR-55
SHADE HOLDER: **STANDARD**



DEKO[®]
LITE-LIFT[®] CHAIN OPERATED
WITH **CASSETTE R-70**



ALTEX[®]
SunProject™
line of products

DEKO[®] LITE-LIFT[®] CHAIN OPERATED ROLLER SYSTEMS

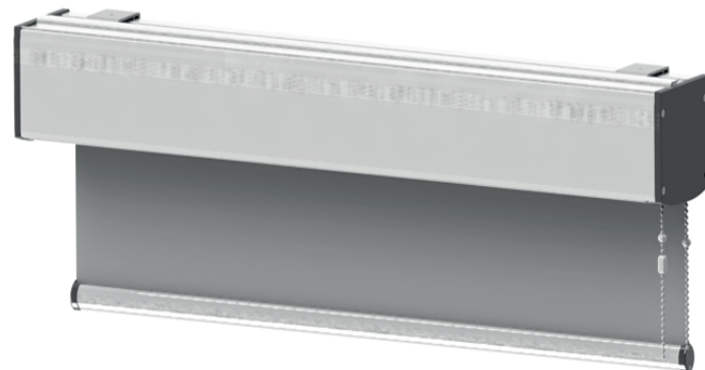


DEKO[®]

LITE-LIFT[®]

CHAIN OPERATED

WITH **CASSETTE S-70**



DEKO[®]

LITE-LIFT[®]

CHAIN OPERATED

WITH **CASSETTE S-100**



ELEKTRA BATTERY RTS 12VDC

Battery RTS shading systems combine the convenience not requiring any electricians or pre-wiring for motorized shades. Motors are powered by extended life lithium 12V batteries (8AAx1.5v) installed behind the roller system housing.

A compact solar panel with rechargeable battery is available in assisting and maintaining a consistent charge prolonging the life of the batteries. Single or 5 channel RTS remotes controls provide for easy control and programming of motorized roller shades. Additionally, a compact solar panel makes this shading system self sustained with a longer battery life.

ELEKTRA ULTRA QUIET (UQM) 24VDC / 120VAC

ELEKTRA ULTRA QUIET MOTORS 24VDC / 120VAC are rated for quietness within 44db making them a preferable choice. Fully integrated electronics inside the motor head adds an additional benefit to the trouble free operation of the shade. LOW VOLTAGE 24VDC motors are powered via transformer available in a plug-in or hardwired type, providing flexibility of wiring options.

120VAC motors come either with “3 PRONG PLUG” that can be connected directly to the 120 VAC wall power outlets or with “QUICK CONNECTOR” that allows pre-wiring for the motor way before the shade is actually installed and allows ease of installation while maintaining cost effectiveness of the project.

All motors come with variety of control options ranging between standalone traditional hardwired switches, RTS (Radio Control) or RS485 with its built in INTELLIGENT MOTOR control options

ELEKTRA RTS 24VDC / 120VAC

RTS radio technology allows motors to be controlled remotely via a comprehensive range of radio handheld remote controls, “Wire-Free” wall switches and timers. Home Automation integration and a broad variety of RTS interfaces are available. Effective progressive communication protocol used by the RTS motors, allows shade programming, grouping achievable with ease.

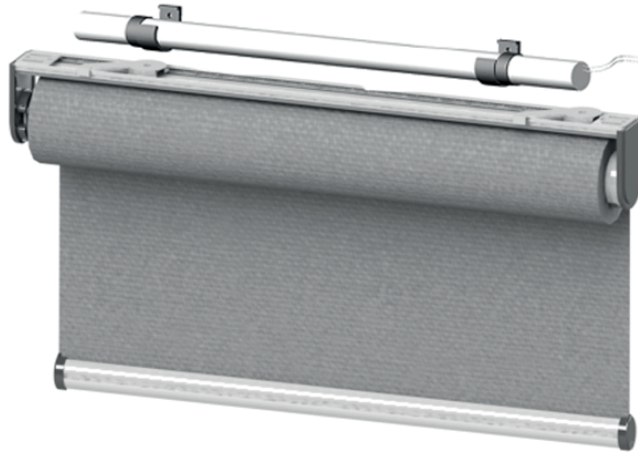
ELEKTRA RS485 24VDC / 120VAC

RS485 is an INTELLIGENT motor control technology allowing motors to be controlled either from a programmable wall switches or a computer. This system is a perfect choice where complex Automation or integration is required. With a combination of group or individual motor control and variety of automated pre-programmed functions an RS485 system provides state of the art automated solution.



ALTEX[®]
SunProject™
line of products

DEKO[®] ELEKTRA BATTERY RTS -12VDC BATTERY 12VDC RTS MOTOR OPERATED ROLLER SYSTEMS



DEKO[®]

ELEKTRA

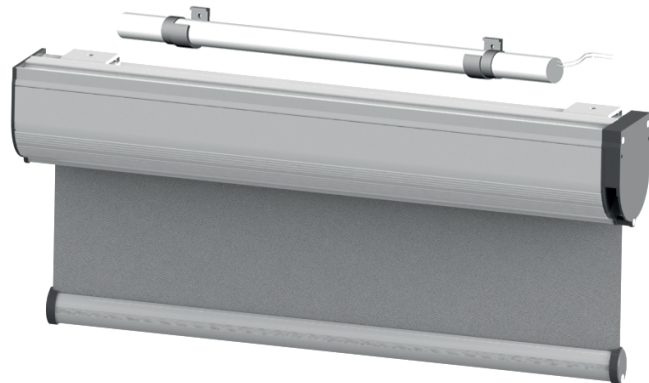
MOTOR OPERATED

OPEN ROLL OR-45

SHADE HOLDER: **STANDARD**

MOTOR TYPE:

BATTERY RTS - 12VDC



DEKO[®]

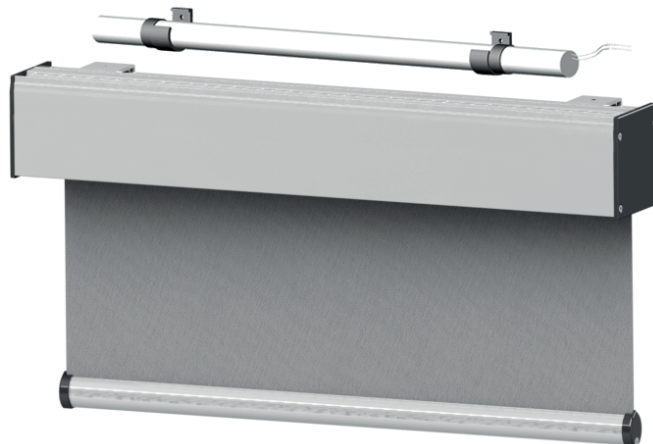
ELEKTRA

MOTOR OPERATED

WITH **CASSETTE R-70**

MOTOR TYPE:

BATTERY RTS - 12VDC



DEKO[®]

ELEKTRA

MOTOR OPERATED

WITH **CASSETTE S-70**

MOTOR TYPE:

BATTERY RTS - 12VDC

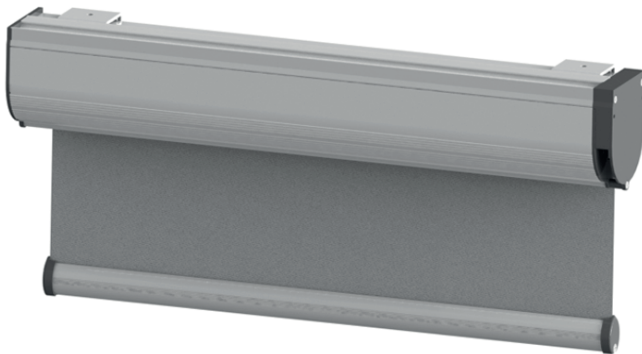


ALTEX[®]
SunProject™
line of products

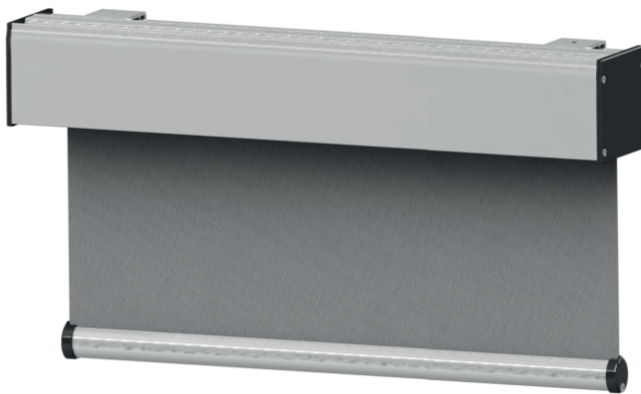
DEKO[®] ELEKTRA ULTRA QUIET - 24VDC UQM 30 RTS / UQM 30 RS485 MOTOR OPERATED ROLLER SYSTEMS



DEKO [®]	
ELEKTRA	ULTRA QUIET MOTOR
OPEN ROLL OR-45	
SHADE HOLDER: STANDARD	
MOTOR TYPE:	UQM 30 RTS - 24VDC
	UQM 30 RS485 - 24VDC



DEKO [®]	
ELEKTRA	ULTRA QUIET MOTOR
WITH CASSETTE R-70	
MOTOR TYPE:	UQM 30 RTS - 24VDC
	UQM 30 RS485 - 24VDC



S-70

S-100

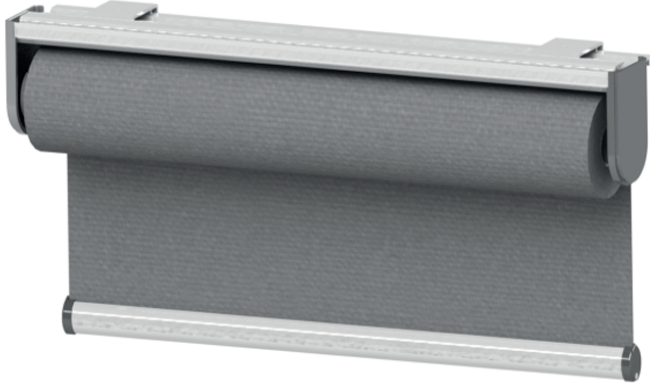


DEKO [®]	
ELEKTRA	ULTRA QUIET MOTOR
WITH CASSETTE S-70, S-100	
MOTOR TYPE:	UQM 30 RTS - 24VDC
	UQM 30 RS485 - 24VDC



ALTEX[®]
SunProject™
line of products

DEKO[®] ELEKTRA ULTRA QUIET -120VAC UQM 40/ UQM 40 RTS MOTOR OPERATED ROLLER SYSTEMS



DEKO[®]

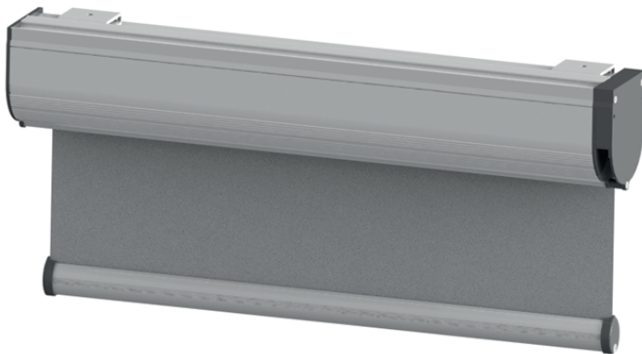
ELEKTRA ULTRA QUIET MOTOR

OPEN ROLL **OR-55**

SHADE HOLDER: **STANDARD**

MOTOR TYPE: **UQM 40 - 120VAC**

UQM 40 RTS - 120VAC



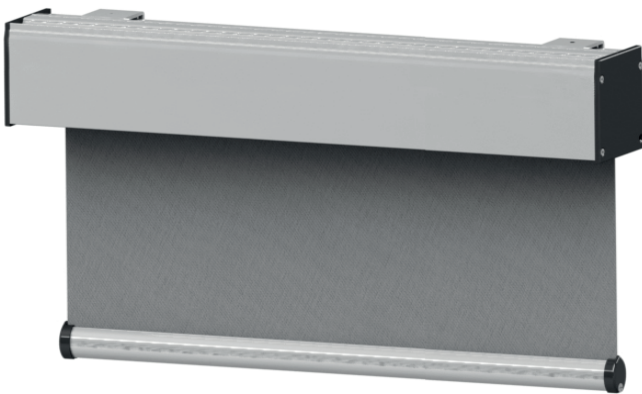
DEKO[®]

ELEKTRA ULTRA QUIET MOTOR

WITH **CASSETTE R-70**

MOTOR TYPE: **UQM 40 - 120VAC**

UQM 40 RTS - 120VAC



S-70

S-100

DEKO[®]

ELEKTRA ULTRA QUIET MOTOR

WITH **CASSETTE S-70, S-100**

MOTOR TYPE: **UQM 40 - 120VAC**

UQM 40 RTS - 120VAC

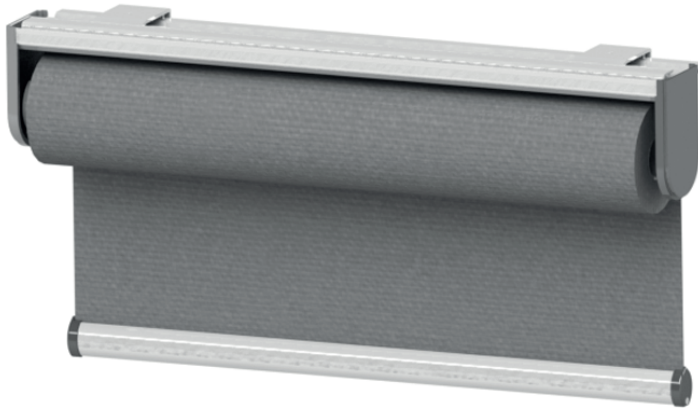




ALTEX[®]
SunProject™
line of products

DEKO[®] ELEKTRA ULTRA QUIET -120VAC

UQM 50/ UQM 50 RTS / UQM 50 RS485 MOTOR OPERATED ROLLER SYSTEMS



DEKO[®]

ELEKTRA

ULTRA QUIET MOTOR

OPEN ROLL OR-55

SHADE HOLDER: **STANDARD**

MOTOR TYPE:

UQM 50 - 120VAC

UQM 50 RTS - 120VAC

UQM 50 RS485 - 120VAC



DEKO[®]

ELEKTRA

ULTRA QUIET MOTOR

WITH **CASSETTE S-100**

MOTOR TYPE:

UQM 50 - 120VAC

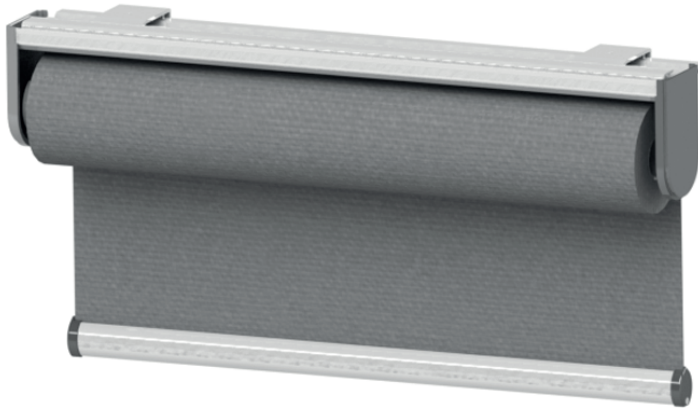
UQM 50 RTS - 120VAC

UQM 50 RS485 - 120VAC



ALTEX[®]
SunProject™
line of products

DEKO[®] ELEKTRA ULTRA QUIET -120VAC E-50/ E-50 RTS / E-50 RS485 MOTOR OPERATED ROLLER SYSTEMS



DEKO[®]

ELEKTRA REGULAR MOTOR

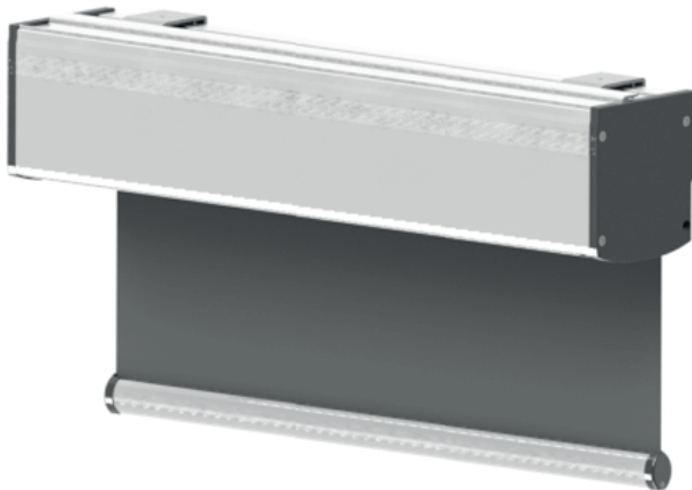
OPEN ROLL 0R-55

SHADE HOLDER: **STANDARD**

MOTOR TYPE: **E- 50 - 120VAC**

E- 50 RTS - 120VAC

E- 50 RS485 - 120VAC



DEKO[®]

ELEKTRA REGULAR MOTOR

WITH **CASSETTE S-100**

MOTOR TYPE: **E- 50 - 120VAC**

E- 50 RTS - 120VAC

E- 50 RS485 - 120VAC



ALTEX[®]

SunProject[™]
line of products

MONTREAL

3530, boul. des Entreprises

Terrebonne (Québec)

Canada J6X 4J8

Phone: 450-968-0880

Toll free: 800-363-5930

TORONTO

500 Applewood Crescent

Vaughan, Ontario

Canada L4K 4B4

Phone: 905-660-3117

Toll free: 888-836-6980

VANCOUVER

1160-21331 Gordon Way

Richmond, British Columbia

Canada V6W 1J9

Phone: 604-980-9899

Toll free: 888-980-9899



ALTEX[®]

SunProject[™]

line of products

ROLLER SHADING SYSTEMS

LITE-LIFT[®]

ELEKTRA



TECHNICAL SECTION

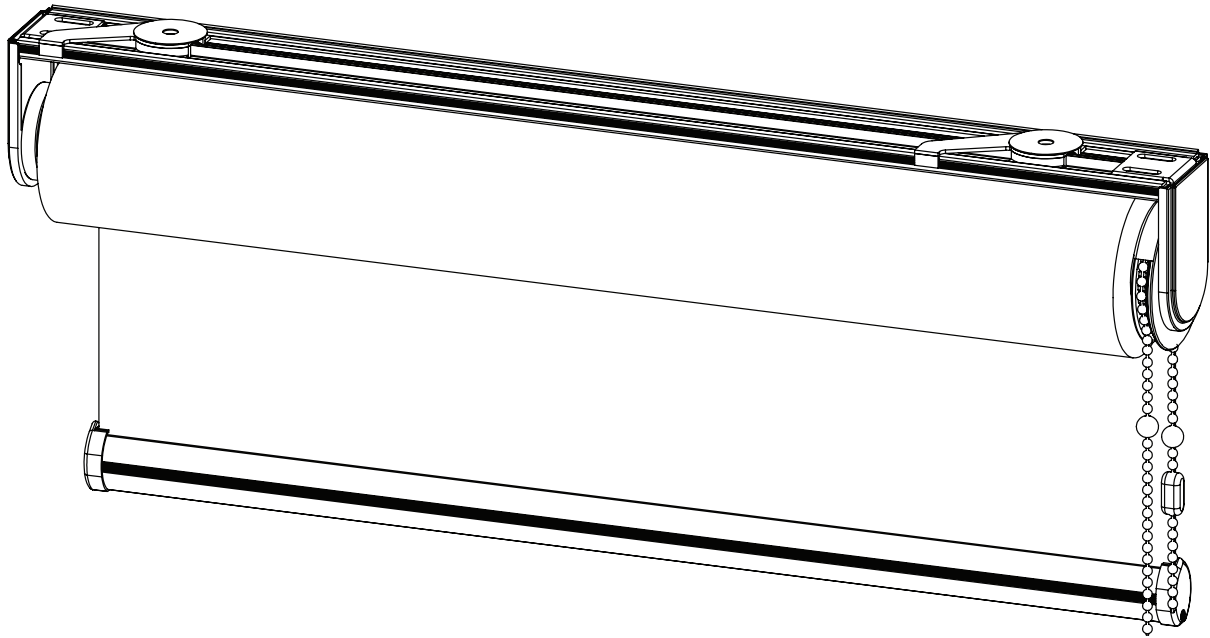


ALTEX[®]

SunProject™
line of products

DEKO[®] LITE-LIFT[®] OPEN ROLL OR-45

CHAIN OPERATED ROLLER SYSTEMS



DKO1-LL-OR45

OPEN ROLL 45



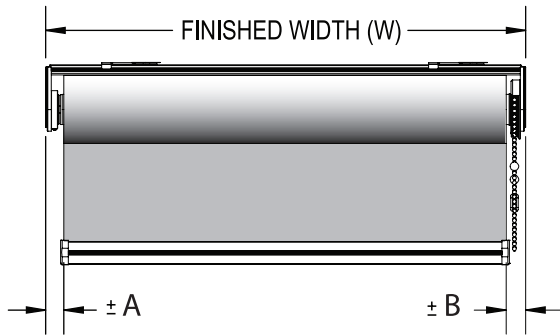
ALTEX[®]
SunProject™
line of products

DEKO[®] LITE-LIFT[®] OPEN ROLL OR-45

CHAIN OPERATED ROLLER SYSTEMS



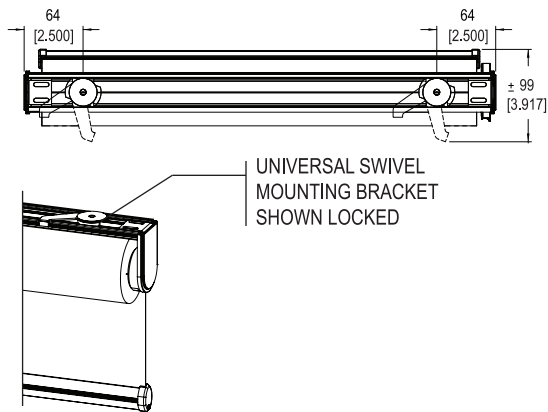
ELEVATION



TOLERANCE +/- 1.5mm [0.0625"]
DIMENSIONS mm [inches]

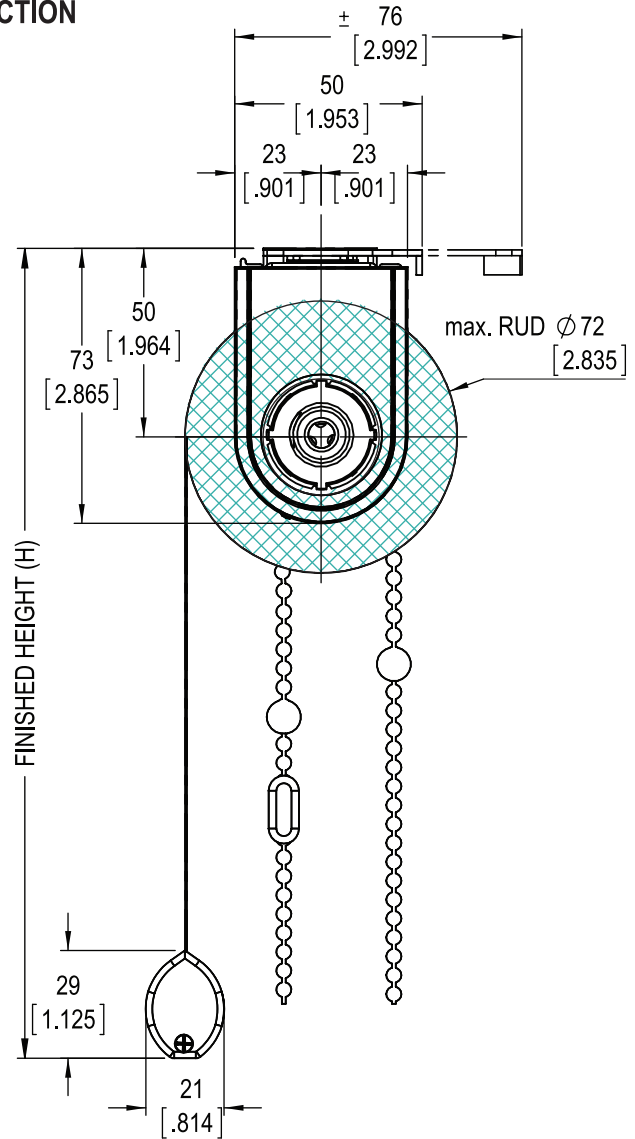
DIMENSION	FABRIC EDGE CLEARANCE [±mm / ±in] BY TUBE TYPE									
	32		38		46		53		63	
A	19	0.750	19	0.750	19	0.750	19	0.750	n/a	n/a
B	22	0.875	22	0.875	22	0.875	22	0.875	n/a	n/a

MOUNTING



INSTALLATION
CEILING OR WALL

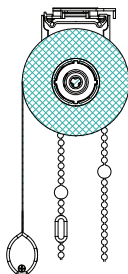
SECTION



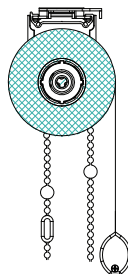
MODEL

DKO-1-LL-OR45

ROLL STYLE



REGULAR ROLL



REVERSE ROLL

NOTE: For size limitation guidelines, please refer to our Size Limitation Detail Sheets or contact our Technical Department.

MONTREAL

T: 800.363.5930

@: info@altex.ca

TORONTO

T: 888.836.6980

@: sales@altex.ca

VANCOUVER

T: 888.980.9899

@: servicewest@altex.ca

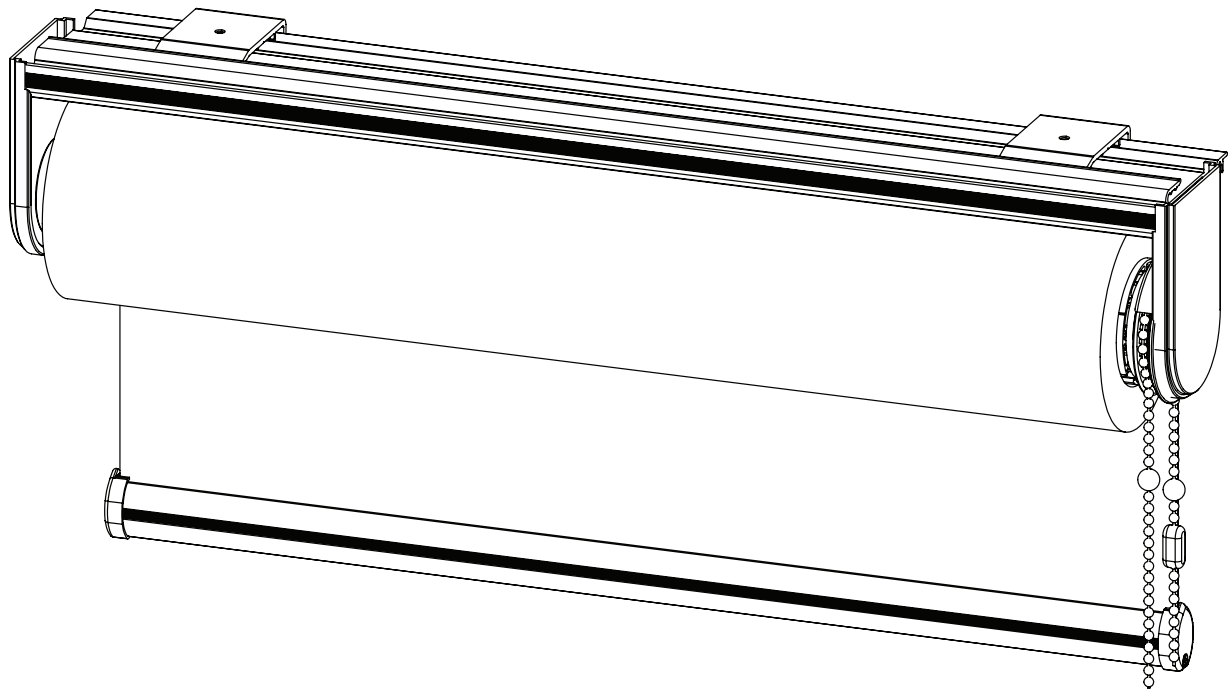


ALTEX[®]

SunProject™
line of products

DEKO[®] LITE-LIFT[®] OPEN ROLL OR-55

CHAIN OPERATED ROLLER SYSTEMS



DK01-LL-OR55

OPEN ROLL 55



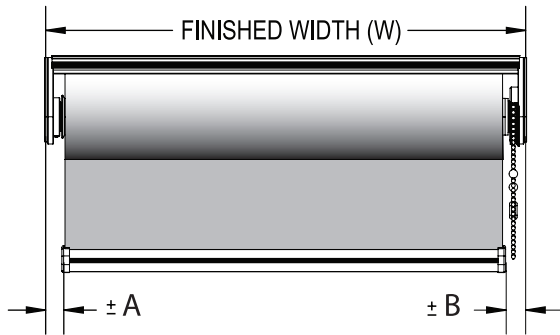
ALTEX[®]
SunProject™
line of products

DEKO® LITE-LIFT® OPEN ROLL OR-55

CHAIN OPERATED ROLLER SYSTEMS



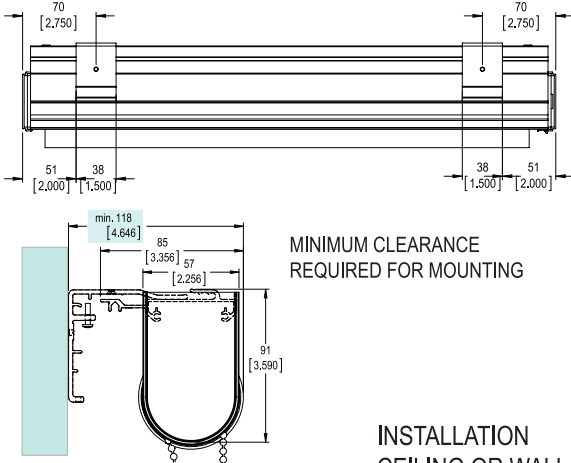
ELEVATION



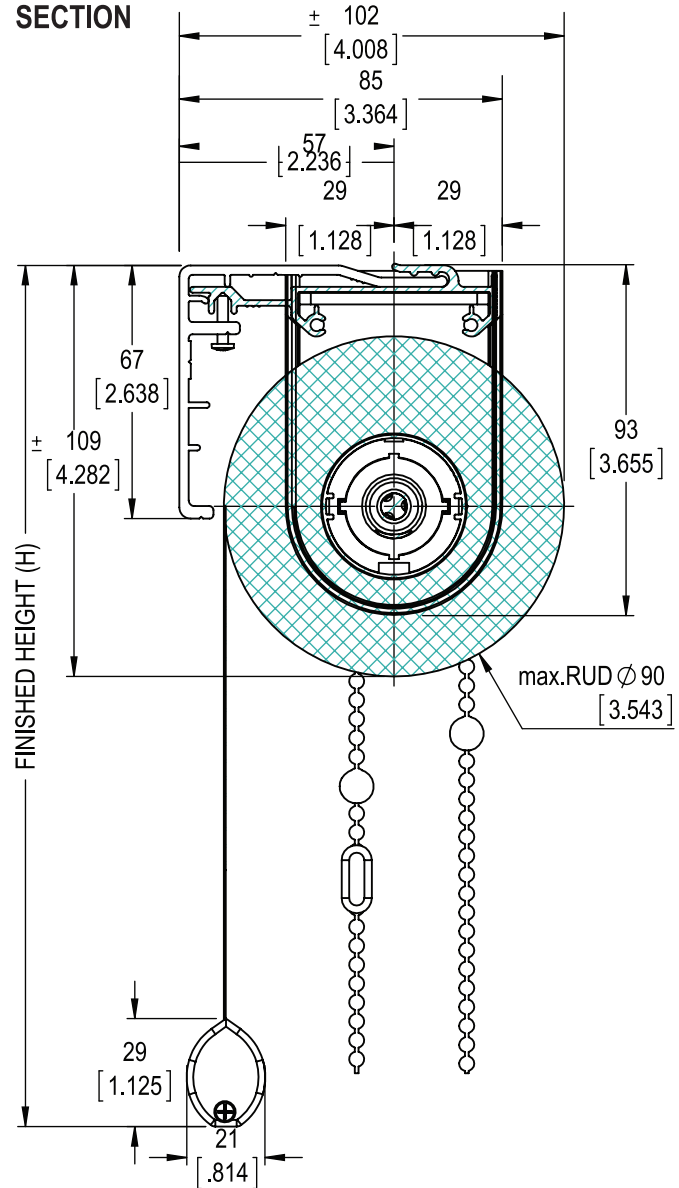
TOLERANCE +/- 1.5mm [0.0625"]
DIMENSIONS mm [inches]

DIMENSION	FABRIC EDGE CLEARANCE [±mm / ±in] BY TUBE TYPE									
	32		38		46		53		63	
A	21	0.841	21	0.841	21	0.841	21	0.841	n/a	n/a
B	25	1.000	25	1.000	25	1.000	25	1.000	n/a	n/a

MOUNTING



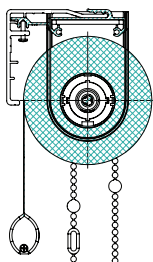
SECTION



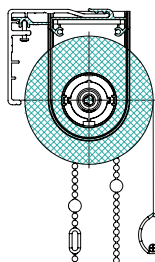
MODEL

DKO-1-LL-OR55

ROLL STYLE



REGULAR ROLL



REVERSE ROLL

NOTE: For size limitation guidelines, please refer to our Size Limitation Detail Sheets or contact our Technical Department.

MONTREAL

T: 800.363.5930

@: info@altex.ca

TORONTO

T: 888.836.6980

@: sales@altex.ca

VANCOUVER

T: 888.980.9899

@: servicewest@altex.ca

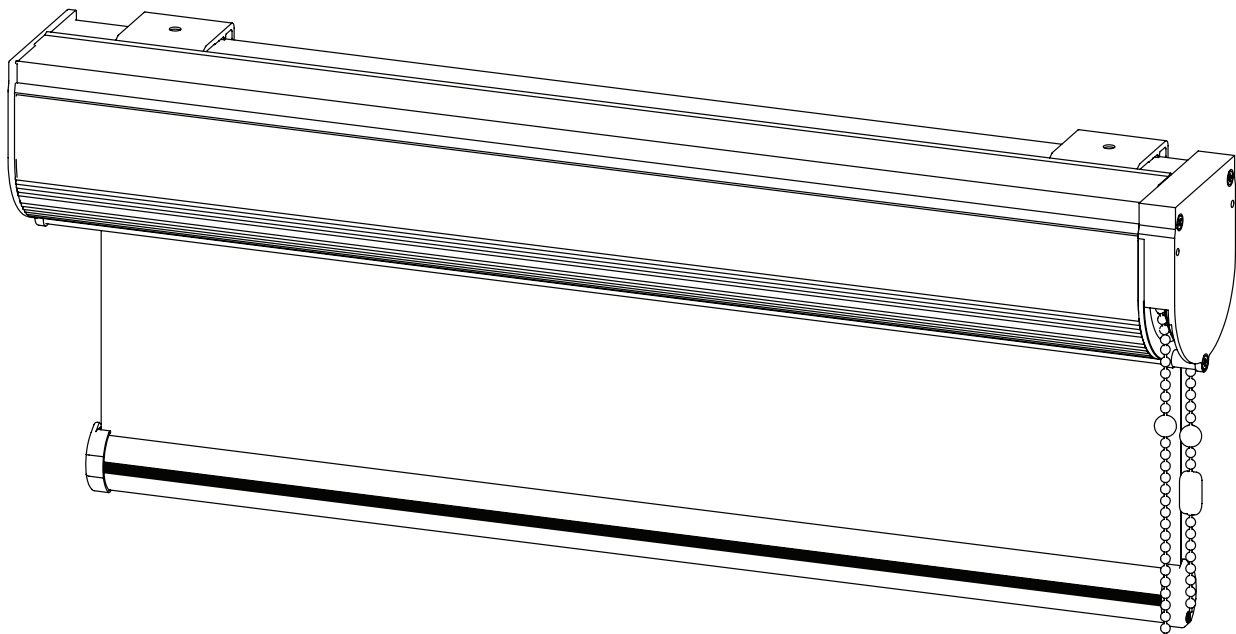


ALTEX[®]

SunProject™
line of products

DEKO[®] LITE-LIFT[®] CASSETTE R-70

CHAIN OPERATED ROLLER SYSTEMS



DKO1-LL-R70

CASSETTE R70

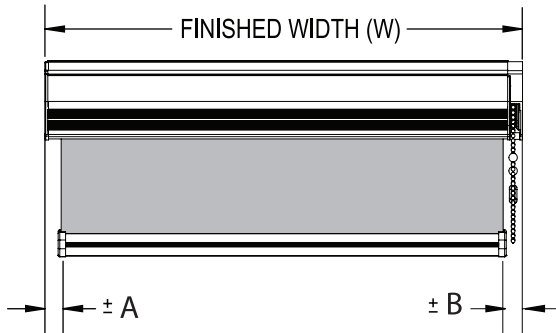


ALTEX[®]
SunProject™
line of products

DEKO[®] LITE-LIFT[®] CASSETTE R-70
CHAIN OPERATED ROLLER SYSTEMS



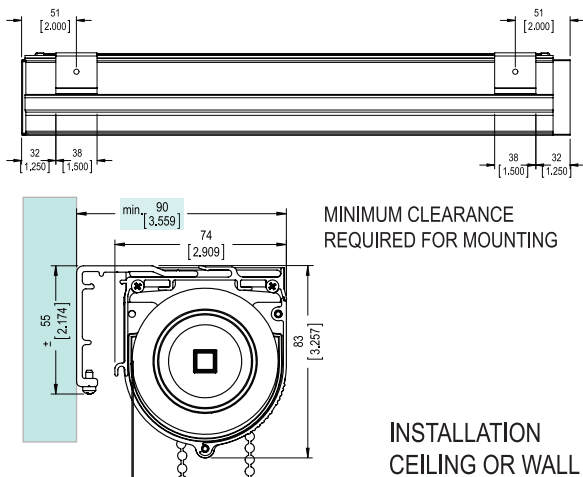
ELEVATION



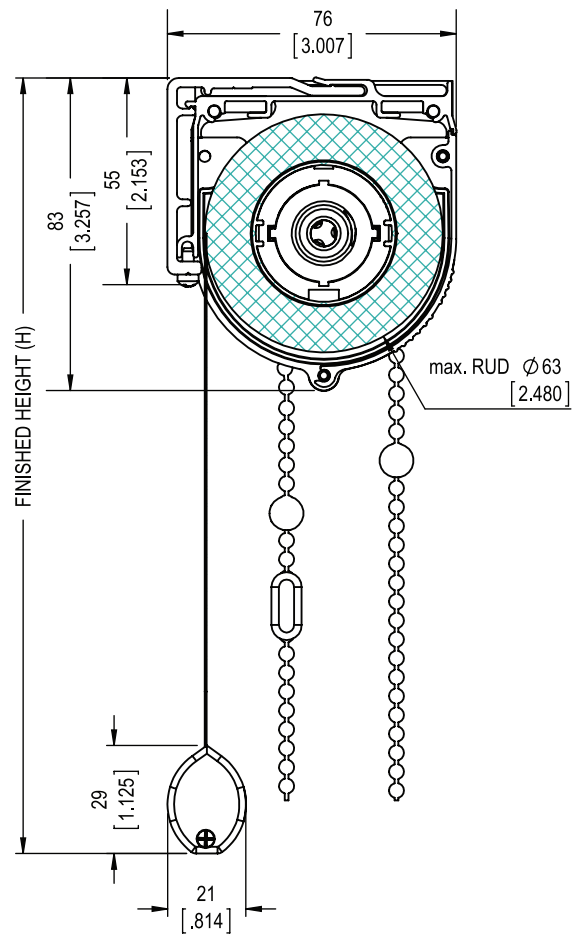
TOLERANCE +/- 1.5mm [0.0625"]
DIMENSIONS mm [inches]

DIMENSION	FABRIC EDGE CLEARANCE [±mm / ±in] BY TUBE TYPE									
	32		38		46		53		63	
A	16	0.625	16	0.625	16	0.625	n/a	n/a	n/a	n/a
B	22	0.875	22	0.875	22	0.875	n/a	n/a	n/a	n/a

MOUNTING



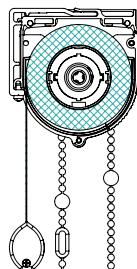
SECTION



MODEL

DKO-1-LL-R70

ROLL STYLE



REGULAR ROLL

NOTE: For size limitation guidelines, please refer to our Size Limitation Detail Sheets or contact our Technical Department.

MONTREAL

T: 800.363.5930

@: info@altex.ca

TORONTO

T: 888.836.6980

@: sales@altex.ca

VANCOUVER

T: 888.980.9899

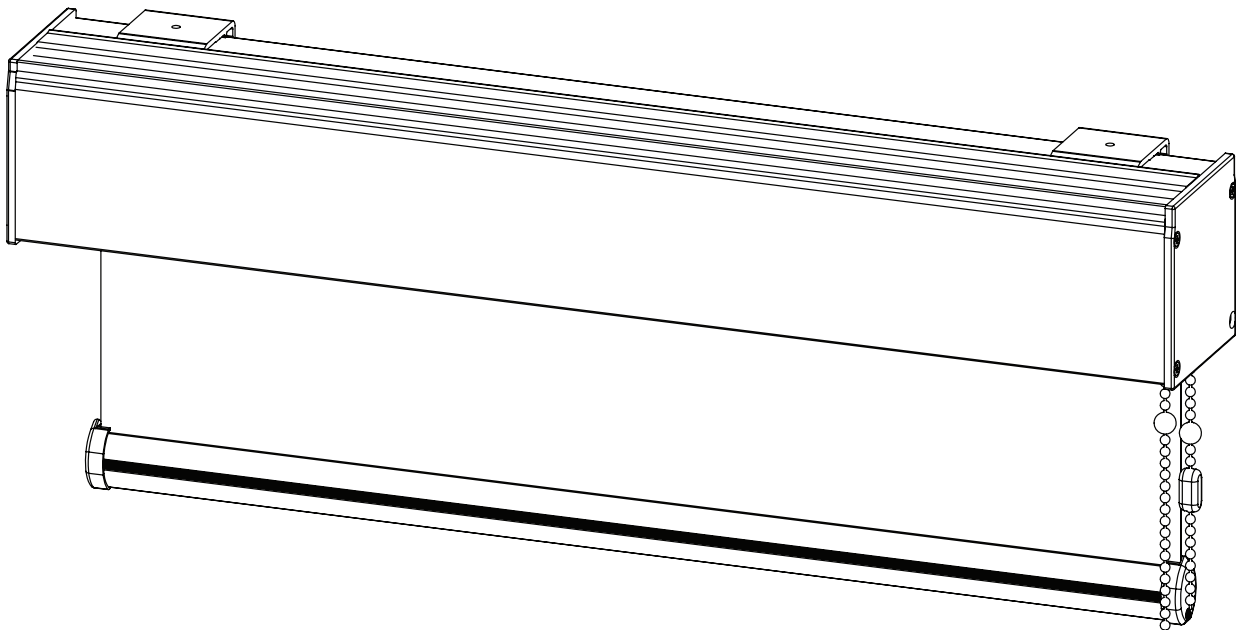
@: servicewest@altex.ca



ALTEX[®]

SunProject™
line of products

DEKO[®] LITE-LIFT[®] CASSETTE S-70
CHAIN OPERATED ROLLER SYSTEMS

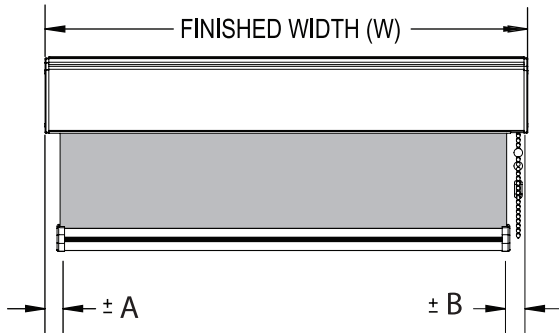


DKO1-LL-S70

CASSETTE S70



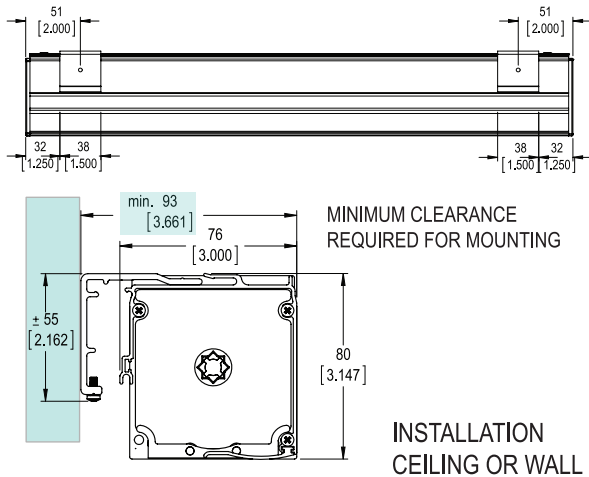
ELEVATION



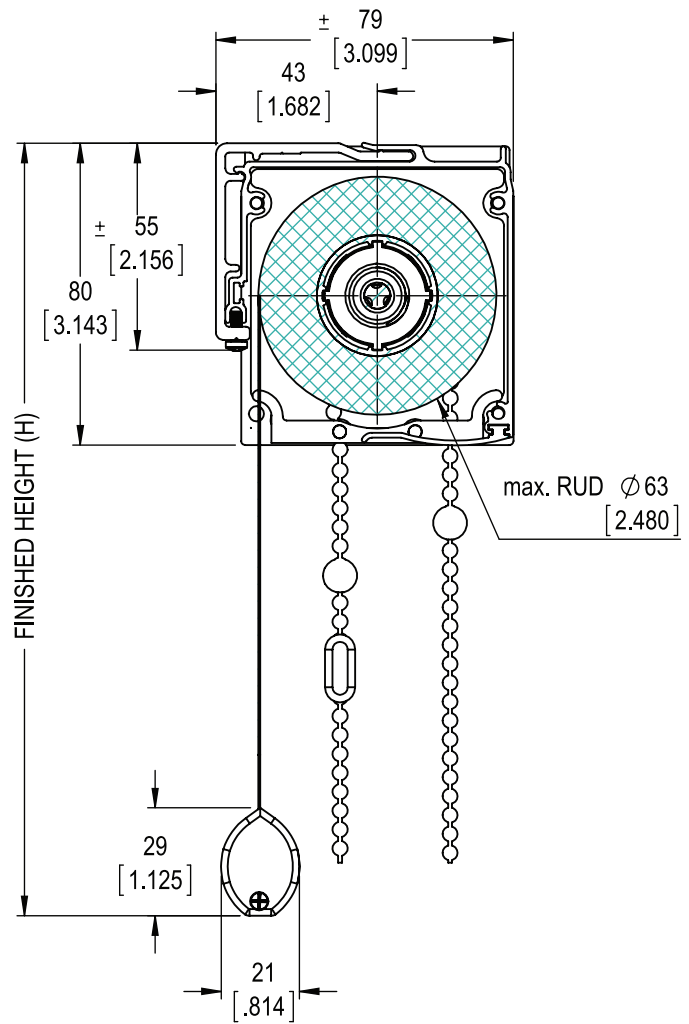
TOLERANCE +/- 1.5mm [0.0625"]
DIMENSIONS mm [inches]

DIMENSION	FABRIC EDGE CLEARANCE [±mm / ±in] BY TUBE TYPE									
	32		38		46		53		63	
A	16	0.625	16	0.625	16	0.625	16	0.625	n/a	n/a
B	22	0.875	22	0.875	22	0.875	22	0.875	n/a	n/a

MOUNTING

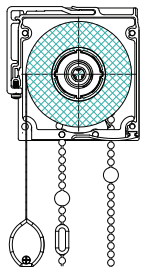


SECTION

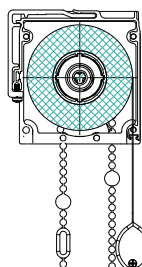


MODEL DKO-1-LL-S70

ROLL STYLE



REGULAR ROLL



REVERSE ROLL

NOTE: For size limitation guidelines, please refer to our Size Limitation Detail Sheets or contact our Technical Department.

MONTREAL T: 800.363.5930 @: info@altex.ca	TORONTO T: 888.836.6980 @: sales@altex.ca	VANCOUVER T: 888.980.9899 @: servicewest@altex.ca
--------------------------------------------------------	--------------------------------------------------------	----------------------------------------------------------------

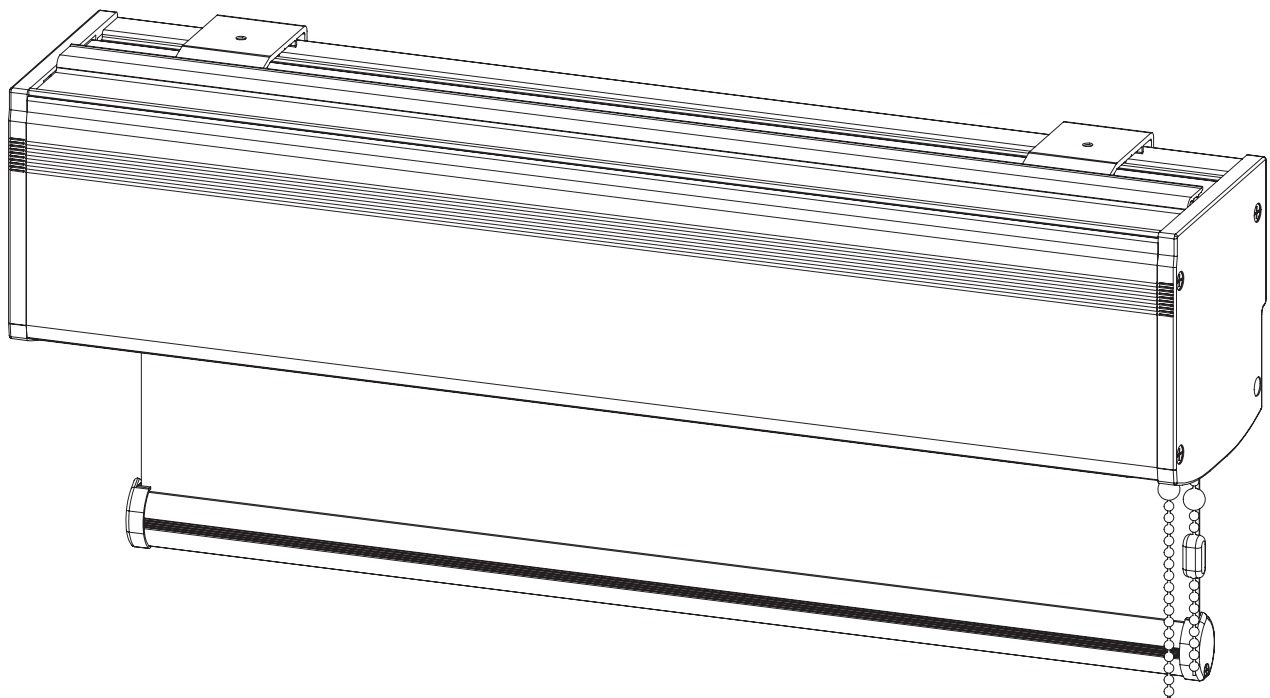


ALTEX[®]

SunProject™
line of products

DEKO[®] LITE-LIFT[®] CASSETTE S-100

CHAIN OPERATED ROLLER SYSTEMS

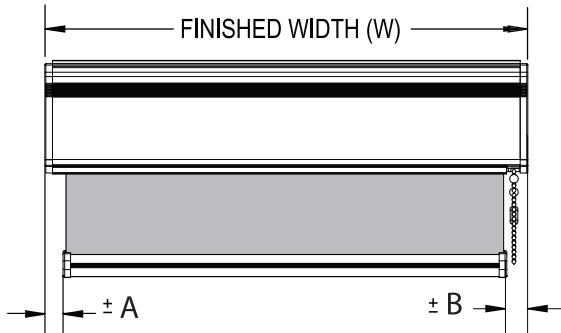


DKO1-LL-S100

CASSETTE S100



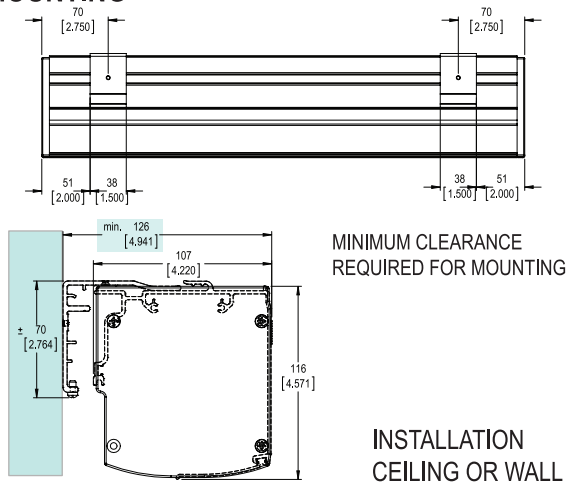
ELEVATION



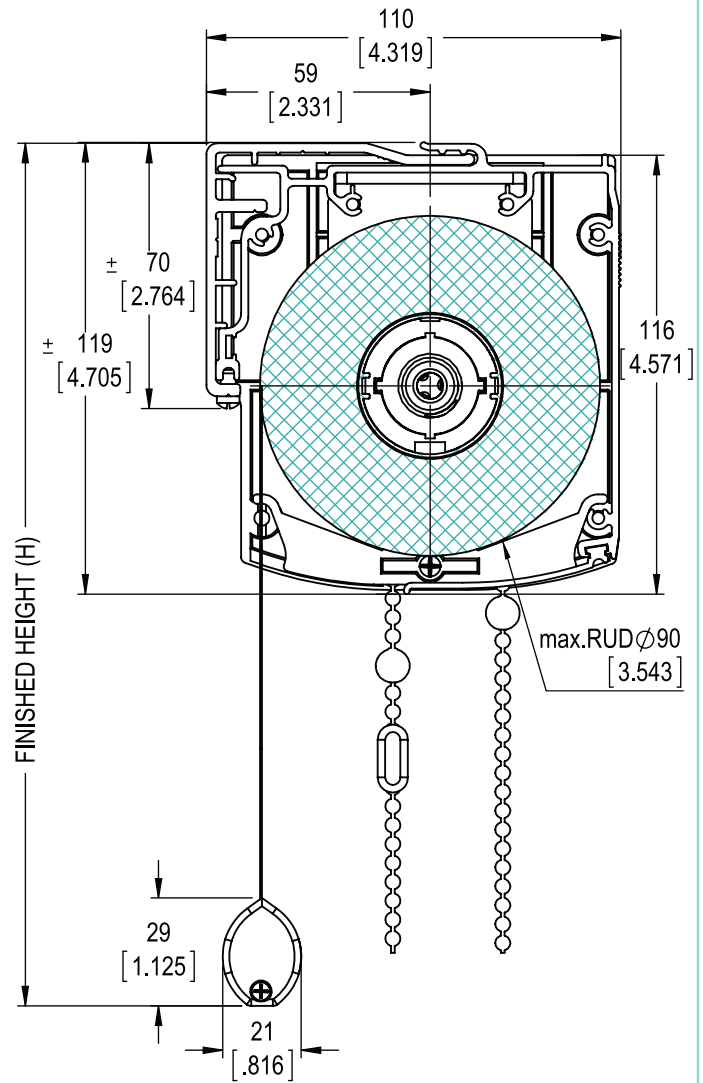
TOLERANCE +/- 1.5mm [0.0625"]
DIMENSIONS mm [inches]

DIMENSION	FABRIC EDGE CLEARANCE [±mm / ±in] BY TUBE TYPE									
	32		38		46		53		63	
A	22	0.875	22	0.875	22	0.875	22	0.875	n/a	n/a
B	25	1.000	25	1.000	25	1.000	25	1.000	n/a	n/a

MOUNTING

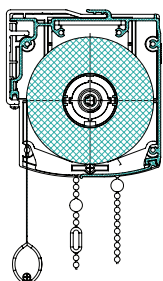


SECTION

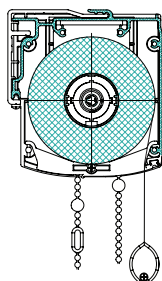


MODEL **DKO-1-LL-S100**

ROLL STYLE



REGULAR ROLL



REVERSE ROLL

NOTE: For size limitation guidelines, please refer to our Size Limitation Detail Sheets or contact our Technical Department.

MONTREAL T: 800.363.5930 @: info@altex.ca	TORONTO T: 888.836.6980 @: sales@altex.ca	VANCOUVER T: 888.980.9899 @: servicewest@altex.ca
--------------------------------------------------------	--------------------------------------------------------	----------------------------------------------------------------



ALTEX[®]

SunProject™
line of products

DEKO[®] ELEKTRA OR-45 BATTERY RTS-12VDC
BATTERY RTS 12VDC MOTOR OPERATED ROLLER SYSTEMS



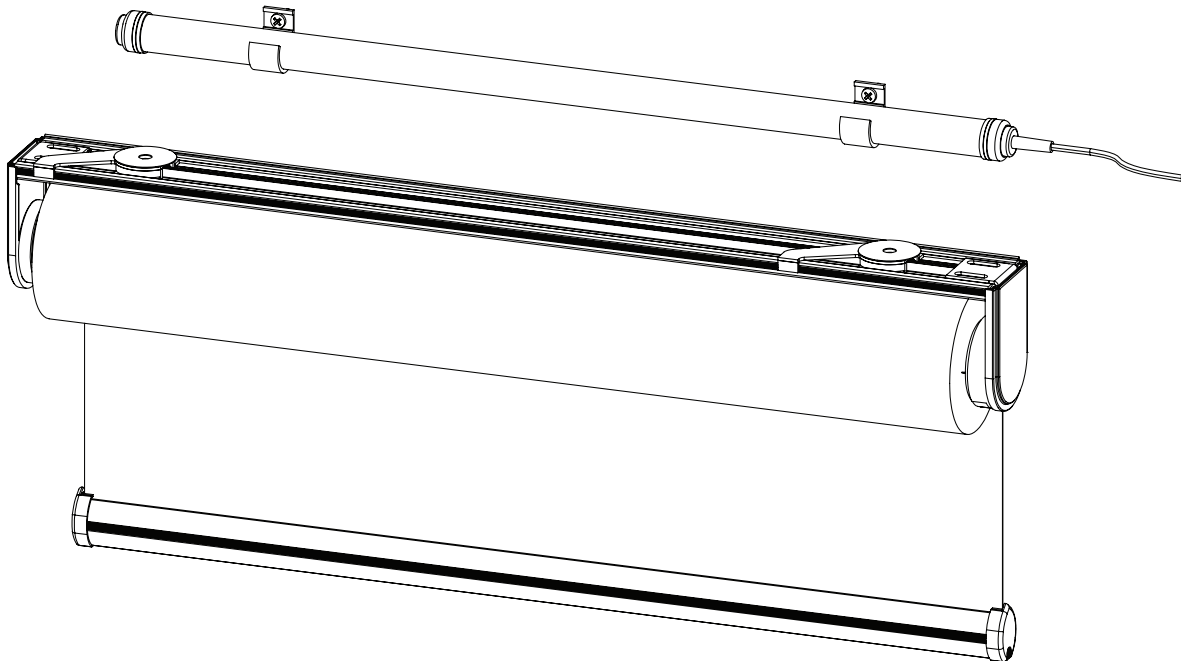
DEKO[®]

ELEKTRA

MOTOR OPERATED

MOTOR TYPE:

BATTERY RTS - 12VDC



DK01-EM-OR45-BATT. RTS 12VDC

OPEN ROLL 45 with SHADE HOLDER

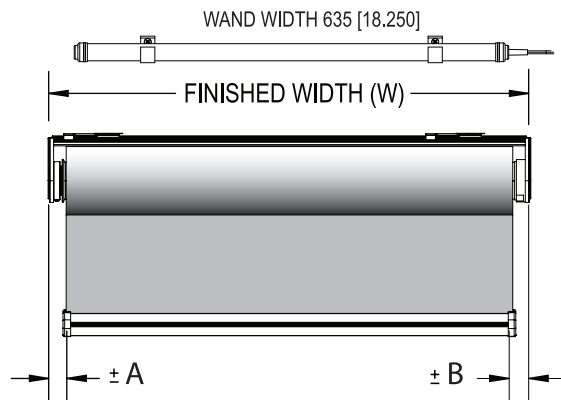


ALTEX[®]
SunProject™
line of products

DEKO[®] ELEKTRA OR-45 BATTERY RTS-12VDC BATTERY RTS 12VDC MOTOR OPERATED ROLLER SYSTEMS



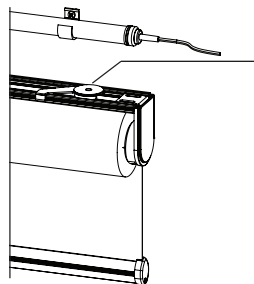
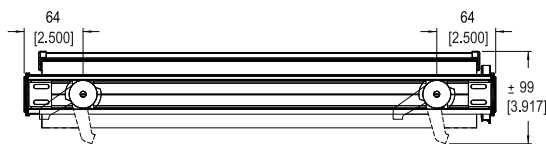
ELEVATION



TOLERANCE +/- 1.5mm [0.0625"]
DIMENSIONS mm [inches]

DIMENSION	FABRIC EDGE CLEARANCE [±mm / ±in] BY TUBE TYPE									
	32		38		46		53		63	
A	n/a	n/a	19	0.750	n/a	n/a	n/a	n/a	n/a	n/a
B	n/a	n/a	19	0.750	n/a	n/a	n/a	n/a	n/a	n/a

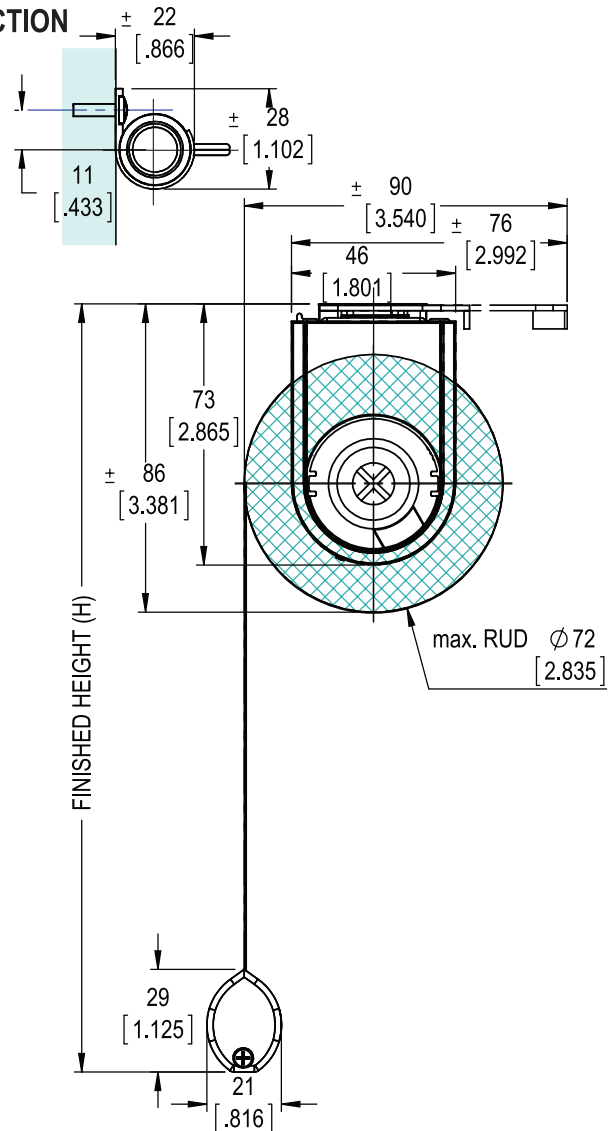
MOUNTING



UNIVERSAL SWIVEL
MOUNTING BRACKET
SHOWN LOCKED

INSTALLATION
CEILING OR WALL

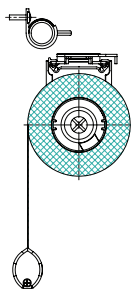
SECTION



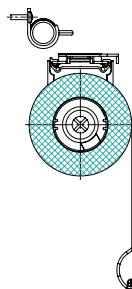
MODEL

DKO-1-EM38-OR45-BATT RTS-12VDC

ROLL STYLE



REGULAR ROLL



REVERSE ROLL

NOTE: For size limitation guidelines, please refer to our
Size Limitation Detail Sheets or contact our Technical Department.

MONTREAL

T: 800.363.5930

@: info@altex.ca

TORONTO

T: 888.836.6980

@: sales@altex.ca

VANCOUVER

T: 888.980.9899

@: servicewest@altex.ca



ALTEX[®]

SunProject™
line of products

DEKO[®] ELEKTRA R-70 BATTERY RTS-12VDC
BATTERY RTS 12VDC MOTOR OPERATED ROLLER SYSTEMS



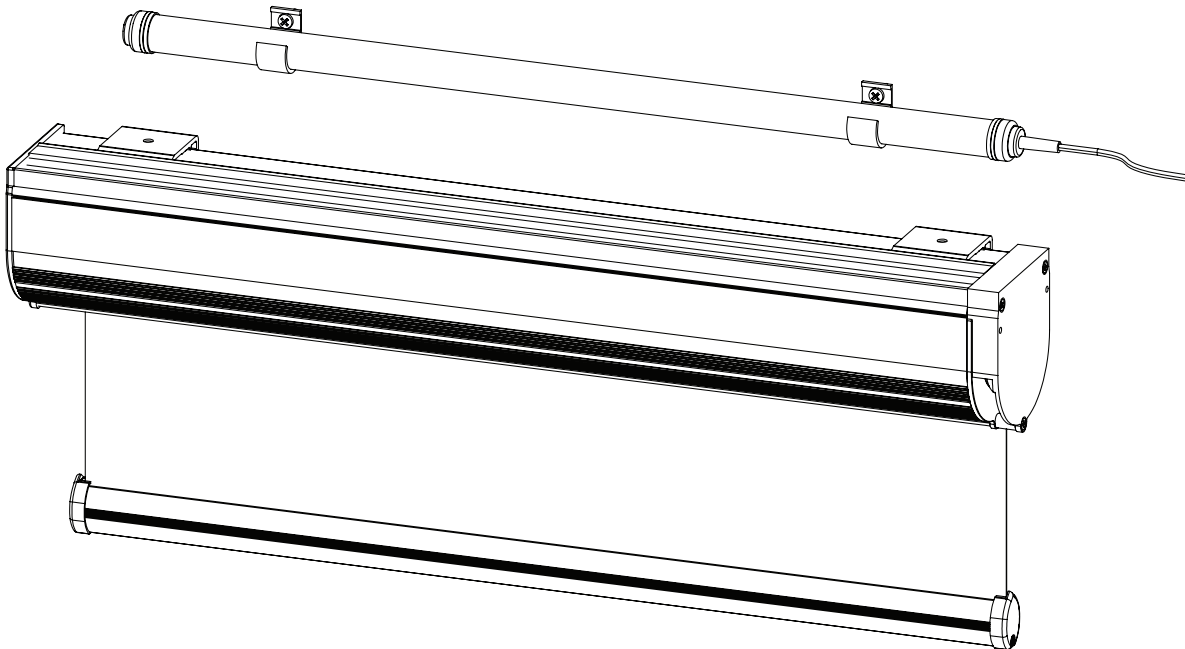
DEKO[®]

ELEKTRA

MOTOR OPERATED

MOTOR TYPE:

BATTERY RTS - 12VDC

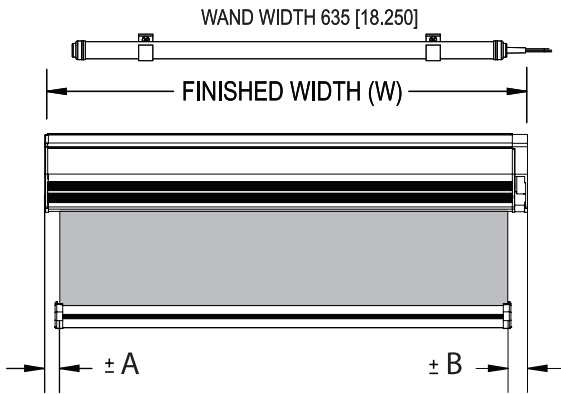


DKO1-EM-R70-BATT. RTS 12VDC

WITH CASSETTE R70



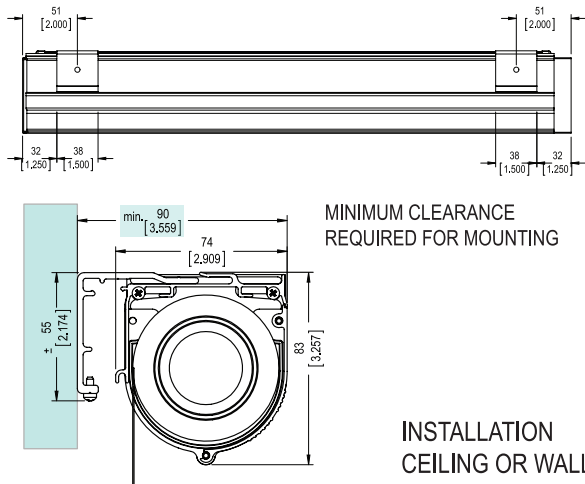
ELEVATION



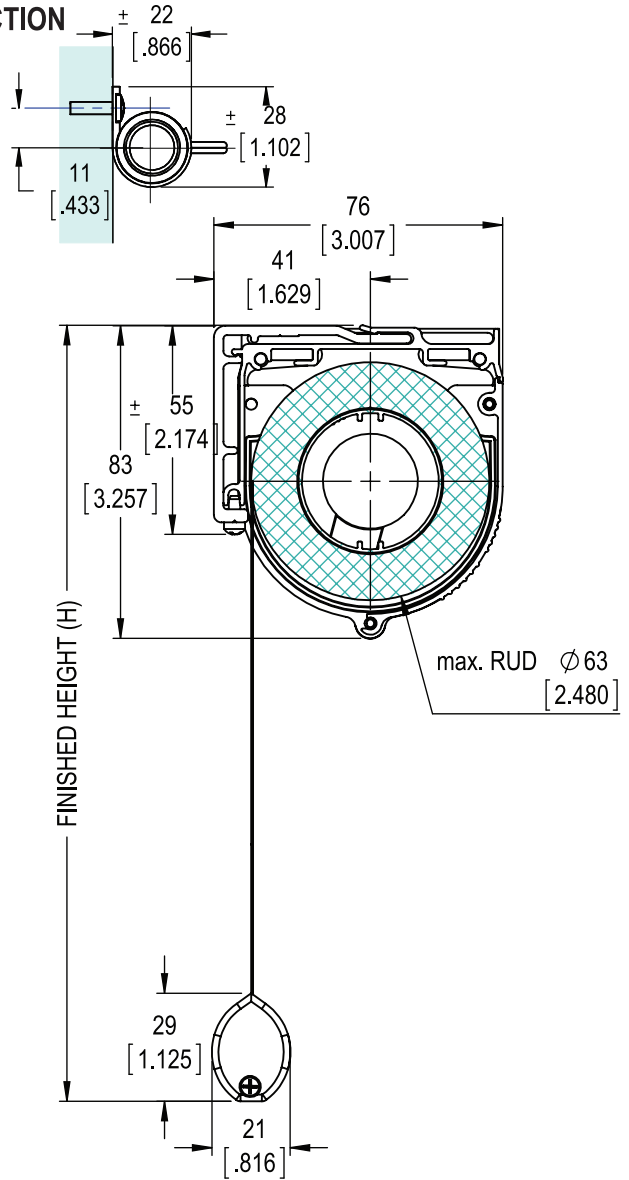
TOLERANCE +/- 1.5mm [0.0625"]
DIMENSIONS mm [inches]

DIMENSION	FABRIC EDGE CLEARANCE [±mm / ±in] BY TUBE TYPE									
	32		38		46		53		63	
A	n/a	n/a	17	0.688	n/a	n/a	n/a	n/a	n/a	n/a
B	n/a	n/a	21	0.813	n/a	n/a	n/a	n/a	n/a	n/a

MOUNTING

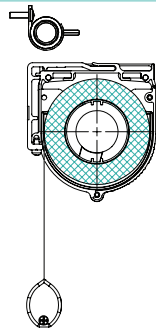


SECTION



MODEL	DKO-1-EM38-R70-BATT RTS-12VDC
--------------	--------------------------------------

ROLL STYLE



REGULAR ROLL

NOTE: For size limitation guidelines, please refer to our Size Limitation Detail Sheets or contact our Technical Department.

MONTREAL T: 800.363.5930 @: info@altex.ca	TORONTO T: 888.836.6980 @: sales@altex.ca	VANCOUVER T: 888.980.9899 @: servicewest@altex.ca
-------------------------------------------------	-------------------------------------------------	---------------------------------------------------------



ALTEX[®]

SunProject™
line of products

DEKO[®] ELEKTRA S-70 BATTERY RTS-12VDC
BATTERY RTS 12VDC MOTOR OPERATED ROLLER SYSTEMS



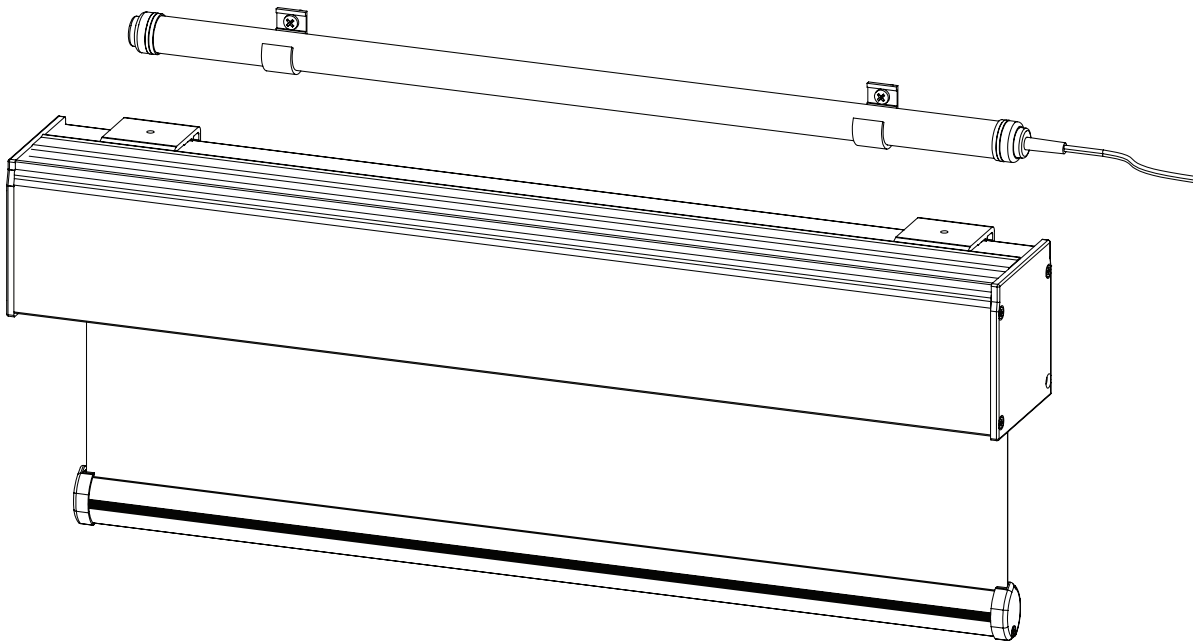
DEKO[®]

ELEKTRA

MOTOR OPERATED

MOTOR TYPE:

BATTERY RTS - 12VDC

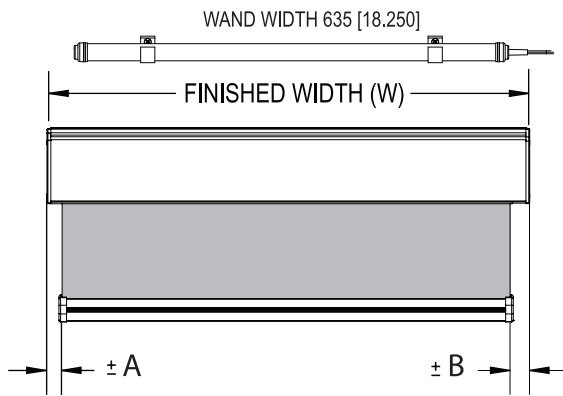


DKO1-EM-S70-BATT. RTS 12VDC

WITH CASSETTE S70



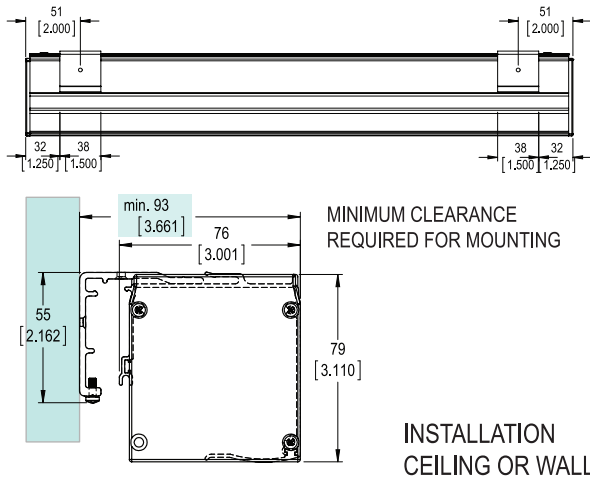
ELEVATION



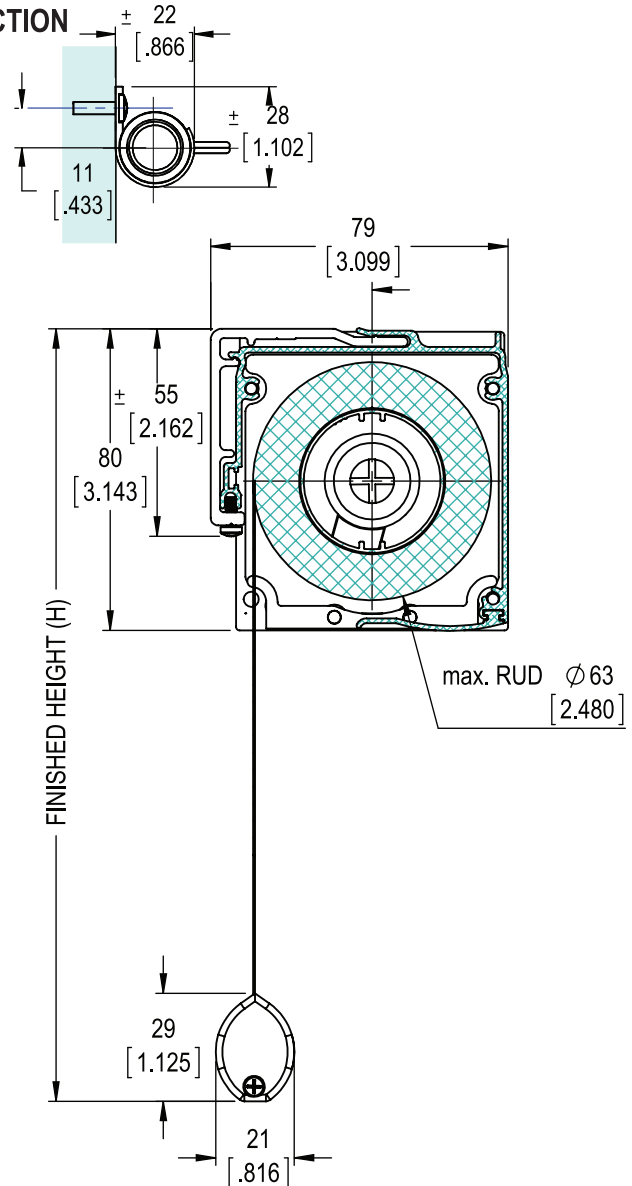
TOLERANCE +/- 1.5mm [0.0625"]
DIMENSIONS mm [inches]

DIMENSION	FABRIC EDGE CLEARANCE [±mm / ±in] BY TUBE TYPE									
	32		38		46		53		63	
A	n/a	n/a	16	0.625	n/a	n/a	n/a	n/a	n/a	n/a
B	n/a	n/a	22	0.875	n/a	n/a	n/a	n/a	n/a	n/a

MOUNTING

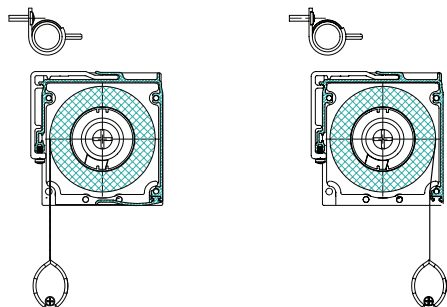


SECTION



MODEL **DKO-1-EM38-S70-BATT RTS-12VDC**

ROLL STYLE



REGULAR ROLL

REVERSE ROLL

NOTE: For size limitation guidelines, please refer to our Size Limitation Detail Sheets or contact our Technical Department.

MONTREAL T: 800.363.5930 @: info@altex.ca	TORONTO T: 888.836.6980 @: sales@altex.ca	VANCOUVER T: 888.980.9899 @: servicewest@altex.ca
--------------------------------------------------------	--------------------------------------------------------	----------------------------------------------------------------



ALTEX[®]

SunProject™
line of products

DEKO[®] ELEKTRA OR-45 ULTRA QUIET - 24VDC
UQM 30 RTS / UQM 30 ILT MOTOR OPERATED ROLLER SYSTEMS

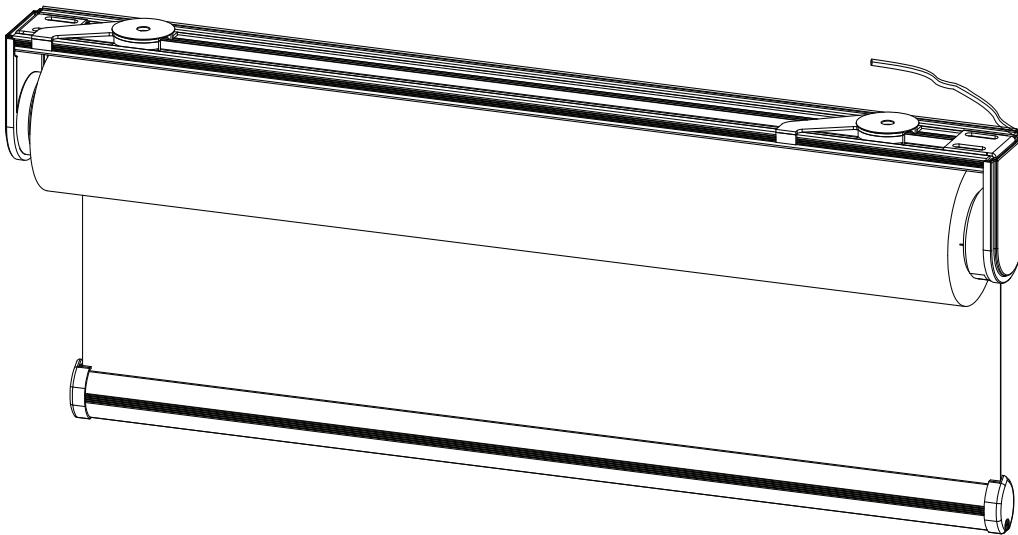


DEKO[®]

ELEKTRA **ULTRA QUIET MOTOR**

MOTOR TYPE: **UQM 30 RTS - 24VDC**

UQM 30 ILT - 24VDC



DK01-EM-OR45-UQM30-24VDC

OPEN ROLL 45 with SHADE HOLDER

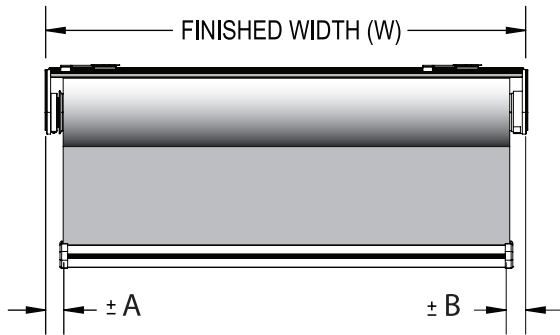


ALTEX[®]
SunProject™
line of products

DEKO[®] ELEKTRA OR-45 ULTRA QUIET - 24VDC UQM 30 RTS / UQM 30 ILT MOTOR OPERATED ROLLER SYSTEMS



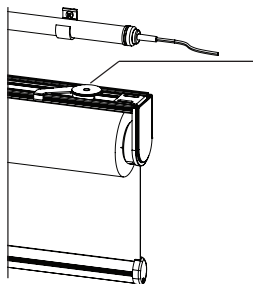
ELEVATION



TOLERANCE +/- 1.5mm [0.0625"]
DIMENSIONS mm [inches]

DIMENSION	FABRIC EDGE CLEARANCE [±mm / ±in] BY TUBE TYPE							
	32	38	46	53	63			
A	n/a	n/a	19 0.750	19 0.750	19 0.750	n/a	n/a	n/a
B	n/a	n/a	19 0.750	19 0.750	19 0.750	n/a	n/a	n/a

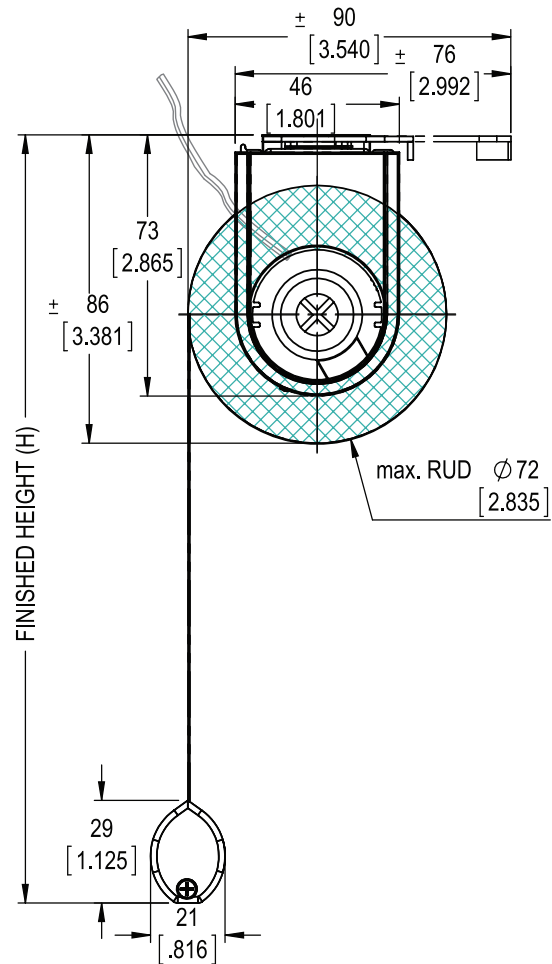
MOUNTING



UNIVERSAL SWIVEL
MOUNTING BRACKET
SHOWN LOCKED

INSTALLATION
CEILING OR WALL

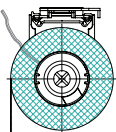
SECTION



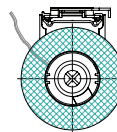
MODEL

DKO1-EM38-OR45-UQM30-24VDC

ROLL STYLE



REGULAR ROLL



REVERSE ROLL

NOTE: For size limitation guidelines, please refer to our
Size Limitation Detail Sheets or contact our Technical Department.

MONTREAL

T: 800.363.5930

@: info@altex.ca

TORONTO

T: 888.836.6980

@: sales@altex.ca

VANCOUVER

T: 888.980.9899

@: servicewest@altex.ca



ALTEX[®]

SunProject™
line of products

DEKO[®] ELEKTRA R-70 ULTRA QUIET - 24VDC
UQM 30 RTS / UQM 30 ILT MOTOR OPERATED ROLLER SYSTEMS

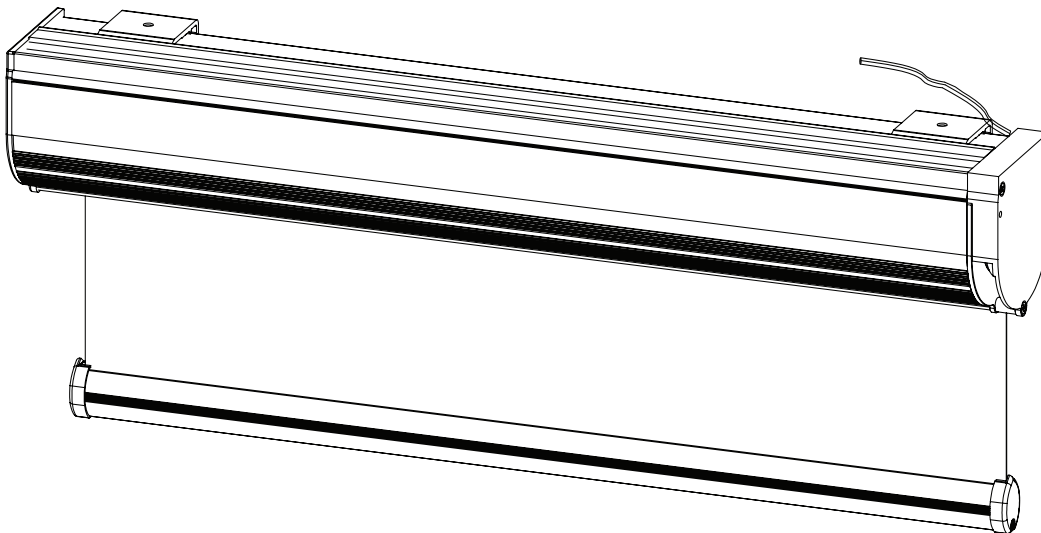


DEKO[®]

ELEKTRA **ULTRA QUIET MOTOR**

MOTOR TYPE: **UQM 30 RTS - 24VDC**

UQM 30 ILT - 24VDC



DKO1-EM-R70-UQM30-24VDC

WITH CASSETTE R70



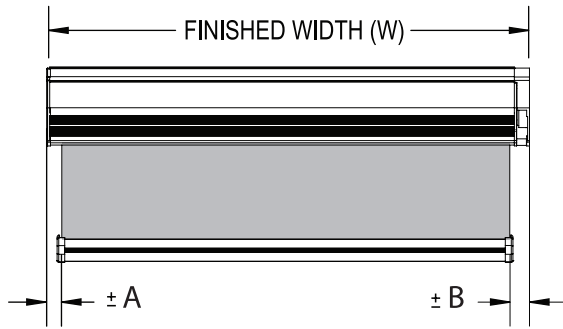
ALTEX[®]
SunProject™
line of products

DEKO[®] ELEKTRA R-70 ULTRA QUIET - 24VDC

UQM 30 RTS / UQM 30 ILT MOTOR OPERATED ROLLER SYSTEMS



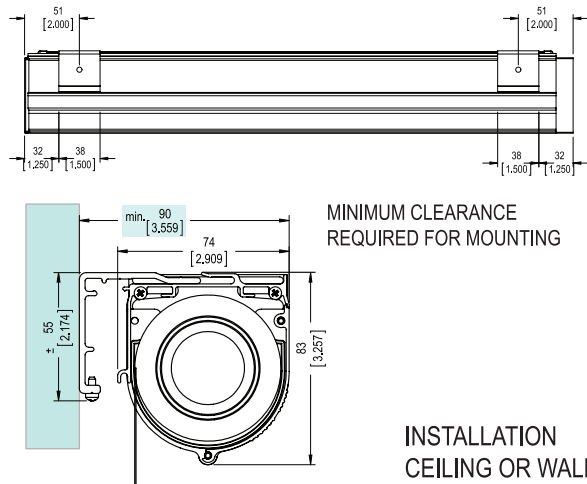
ELEVATION



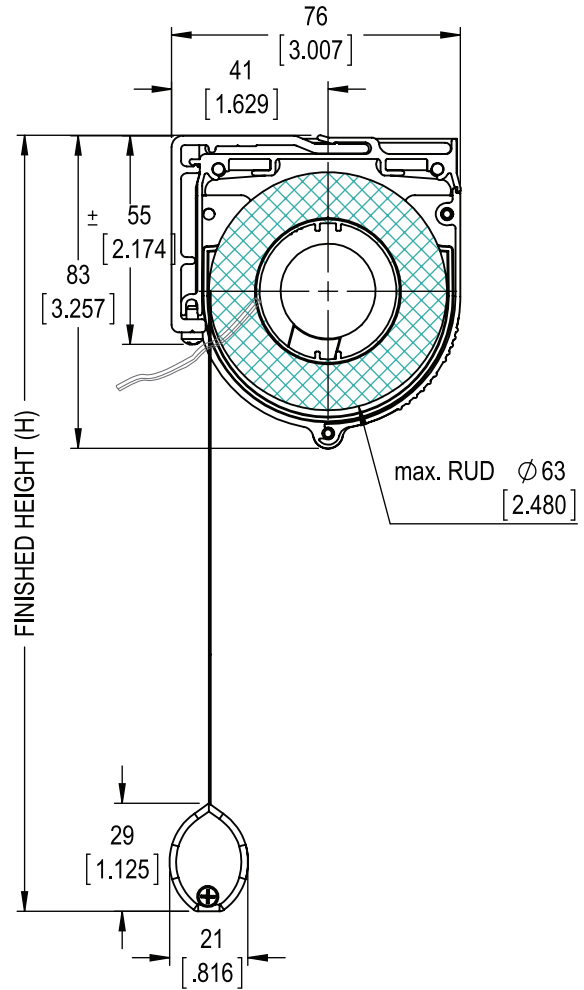
TOLERANCE +/- 1.5mm [0.0625"]
DIMENSIONS mm [inches]

DIMENSION	FABRIC EDGE CLEARANCE [±mm / ±in] BY TUBE TYPE									
	32		38		46		53		63	
A	n/a	n/a	17	0.688	n/a	n/a	n/a	n/a	n/a	n/a
B	n/a	n/a	21	0.813	n/a	n/a	n/a	n/a	n/a	n/a

MOUNTING

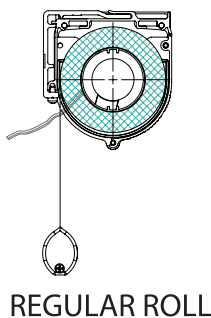


SECTION



MODEL **DKO1-EM38-R70-UQM30-24VDC**

ROLL STYLE



NOTE: For size limitation guidelines, please refer to our Size Limitation Detail Sheets or contact our Technical Department.

MONTREAL	TORONTO	VANCOUVER
T: 800.363.5930	T: 888.836.6980	T: 888.980.9899
@: info@altex.ca	@: sales@altex.ca	@: servicewest@altex.ca



ALTEX[®]

SunProject™
line of products

DEKO[®] ELEKTRA S-70 ULTRA QUIET - 24VDC
UQM 30 RTS / UQM 30 ILT MOTOR OPERATED ROLLER SYSTEMS

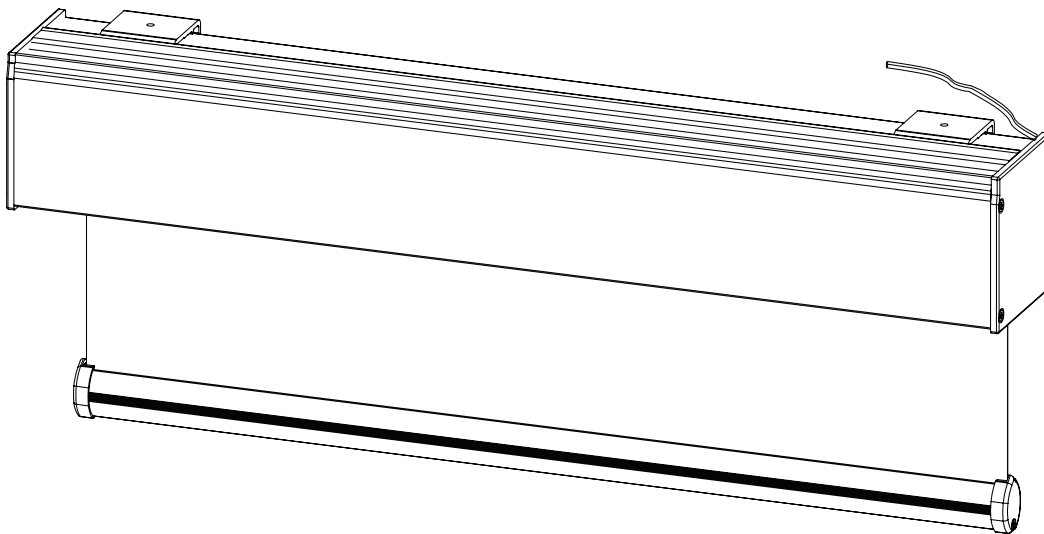


DEKO[®]

ELEKTRA **ULTRA QUIET MOTOR**

MOTOR TYPE: **UQM 30 RTS - 24VDC**

UQM 30 ILT - 24VDC

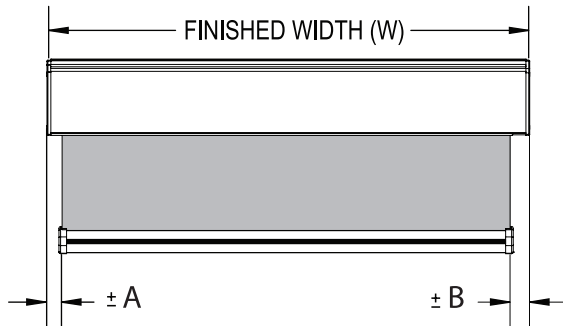


DKO1-EM-S70-UQM30-24VDC

WITH CASSETTE S70



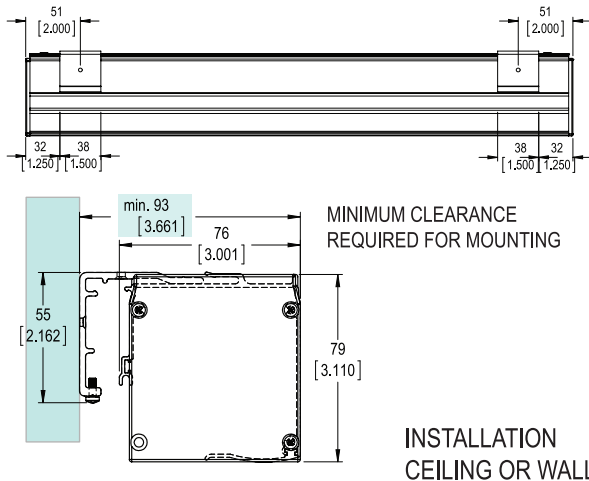
ELEVATION



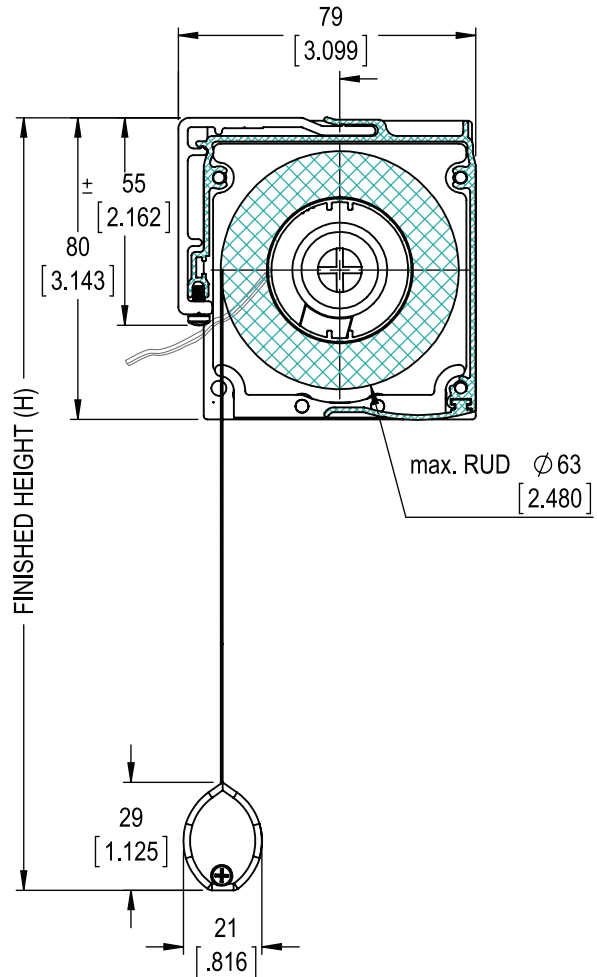
TOLERANCE +/- 1.5mm [0.0625"]
DIMENSIONS mm [inches]

DIMENSION	FABRIC EDGE CLEARANCE [±mm / ±in] BY TUBE TYPE									
	32	38	46	53	63					
A	n/a	n/a	16	0.625	16	0.625	16	0.625	n/a	n/a
B	n/a	n/a	22	0.875	22	0.875	22	0.875	n/a	n/a

MOUNTING

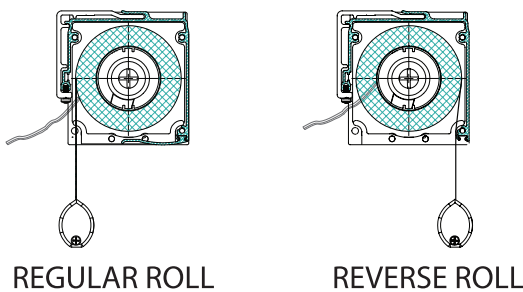


SECTION



MODEL	DKO1-EM38-S70-UQM30-24VDC
--------------	----------------------------------

ROLL STYLE



NOTE: For size limitation guidelines, please refer to our Size Limitation Detail Sheets or contact our Technical Department.

MONTREAL T: 800.363.5930 @: info@altex.ca	TORONTO T: 888.836.6980 @: sales@altex.ca	VANCOUVER T: 888.980.9899 @: servicewest@altex.ca
--------------------------------------------------------	--------------------------------------------------------	----------------------------------------------------------------



ALTEX[®]

SunProject™
line of products

DEKO[®] ELEKTRA OR-55 ULTRA QUIET -120VAC
UQM40 /UQM 40 RTS MOTOR OPERATED ROLLER SYSTEMS



DEKO[®]

ELEKTRA **ULTRA QUIET MOTOR**

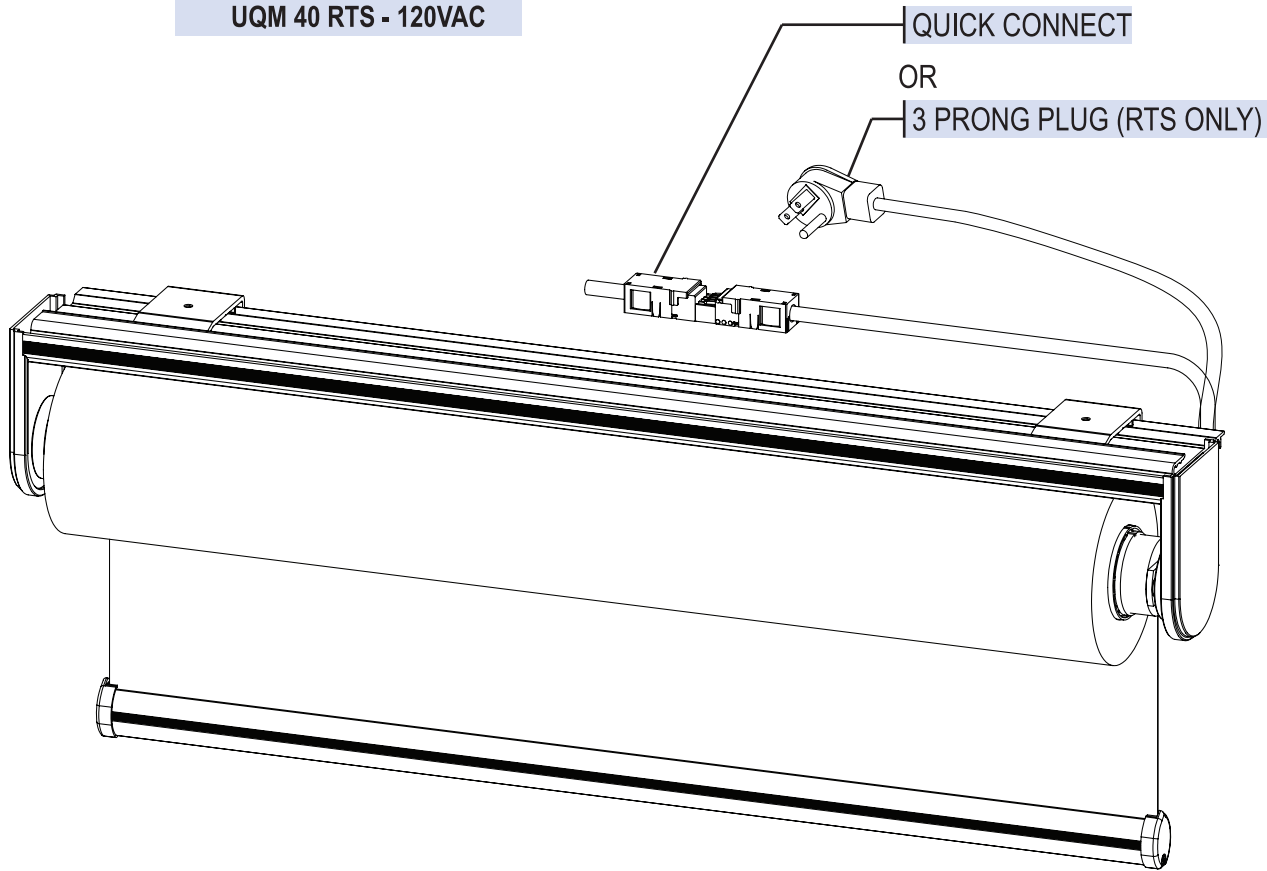
MOTOR TYPE: **UQM 40 - 120VAC**
 UQM 40 RTS - 120VAC

AVAILABLE IN :

QUICK CONNECT

OR

3 PRONG PLUG (RTS ONLY)

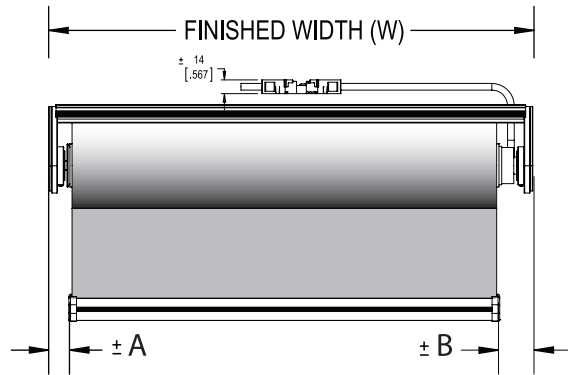


DKO1-EM-OR55-UQM40-120VAC

OPEN ROLL 55 with SHADE HOLDER



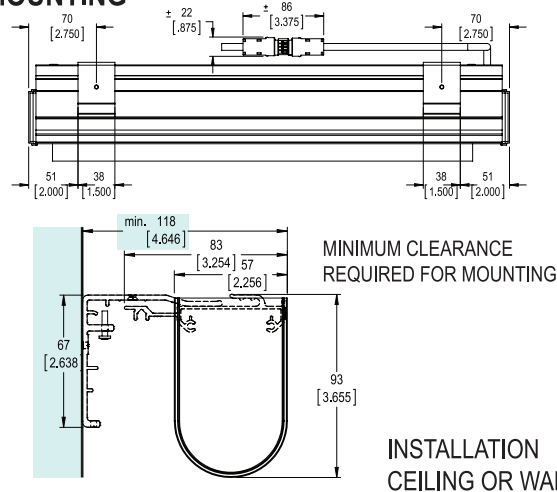
ELEVATION



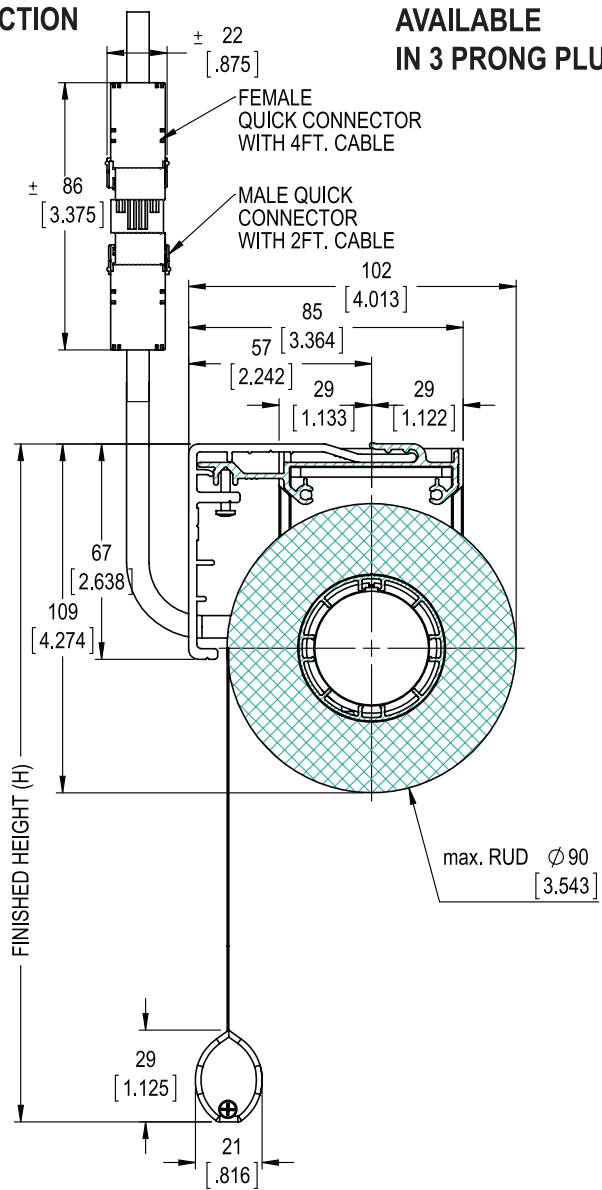
TOLERANCE +/- 1.5mm [0.0625"]
DIMENSIONS mm [inches]

DIMENSION	FABRIC EDGE CLEARANCE [±mm / ±in] BY TUBE TYPE									
	32		38		46		53		63	
A	n/a	n/a	n/a	n/a	25	1.000	25	1.000	n/a	n/a
B	n/a	n/a	n/a	n/a	38	1.500	38	1.500	n/a	n/a

MOUNTING

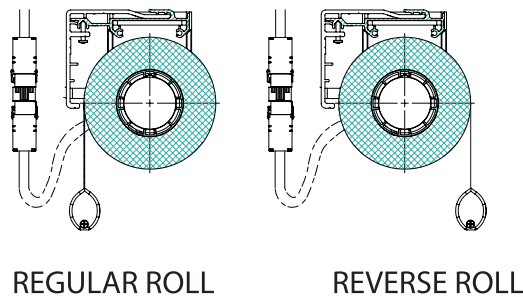


SECTION



MODEL DKO1-EM46-OR55-UQM40-120VAC

ROLL STYLE



NOTE: For size limitation guidelines, please refer to our Size Limitation Detail Sheets or contact our Technical Department.

MONTREAL T: 800.363.5930 @: info@altex.ca	TORONTO T: 888.836.6980 @: sales@altex.ca	VANCOUVER T: 888.980.9899 @: servicewest@altex.ca
--------------------------------------------------------	--------------------------------------------------------	----------------------------------------------------------------



ALTEX[®]
SunProject™
line of products

DEKO[®] ELEKTRA R-70 ULTRA QUIET -120VAC
UQM40 /UQM 40 RTS MOTOR OPERATED ROLLER SYSTEMS



DEKO[®]

ELEKTRA **ULTRA QUIET MOTOR**

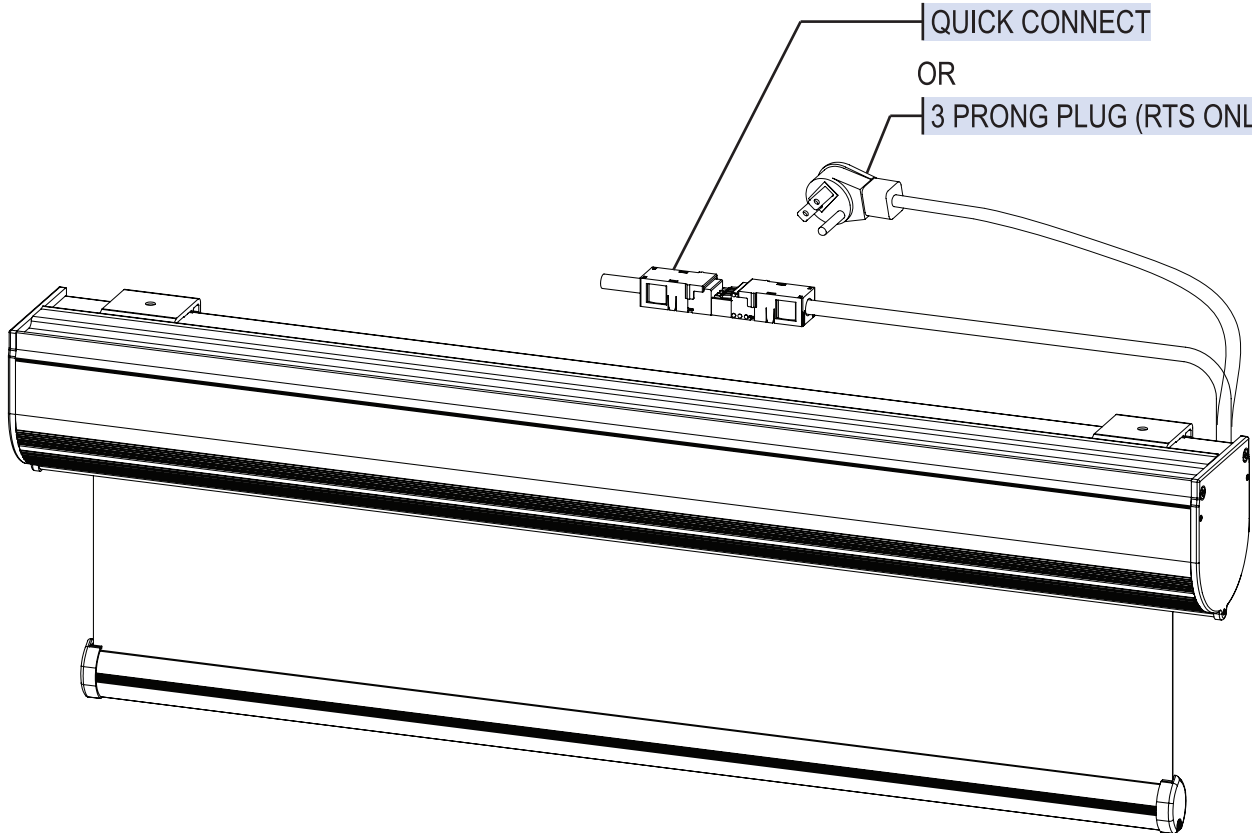
MOTOR TYPE: **UQM 40 - 120VAC**
 UQM 40 RTS - 120VAC

AVAILABLE IN :

QUICK CONNECT

OR

3 PRONG PLUG (RTS ONLY)

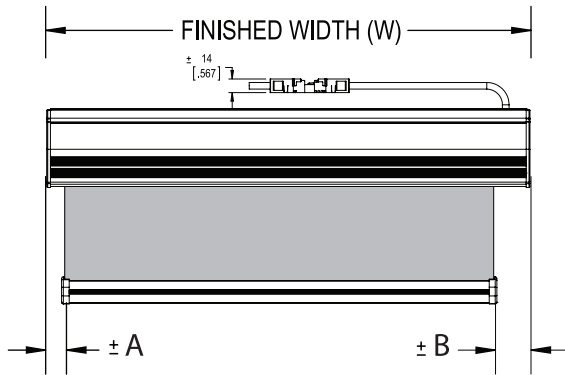


DKO1-EM-R70-UQM40-120VAC

WITH CASSETTE R70



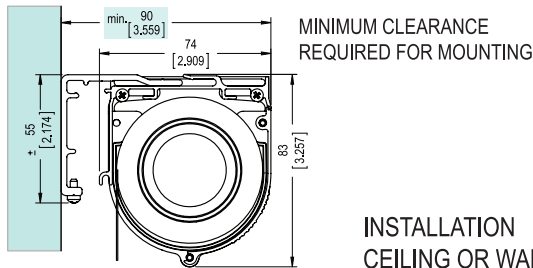
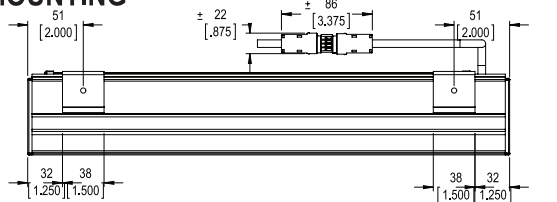
ELEVATION



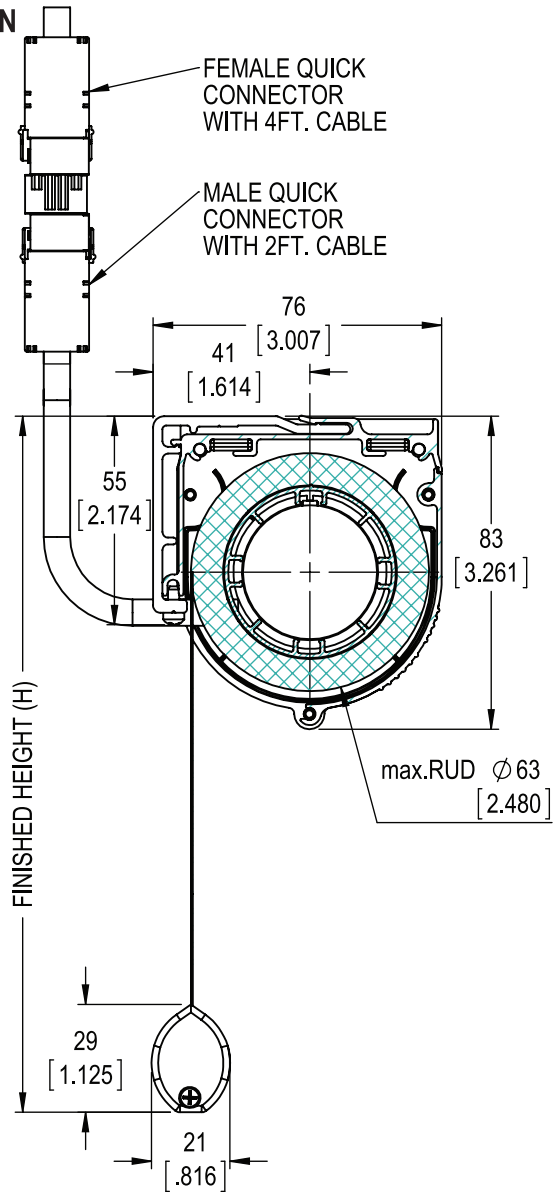
TOLERANCE +/- 1.5mm [0.0625"]
DIMENSIONS mm [inches]

DIMENSION	FABRIC EDGE CLEARANCE [±mm / ±in] BY TUBE TYPE									
	32	38	46	53	63	76	83	90	100	110
A	n/a	n/a	n/a	n/a	19	0.750	n/a	n/a	n/a	n/a
B	n/a	n/a	n/a	n/a	38	1.500	n/a	n/a	n/a	n/a

MOUNTING

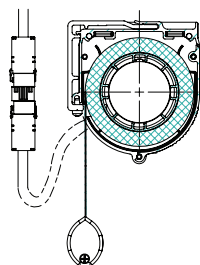


SECTION



MODEL DKO1-EM46-R70-UQM40-120VAC

ROLL STYLE



REGULAR ROLL

NOTE: For size limitation guidelines, please refer to our Size Limitation Detail Sheets or contact our Technical Department.

MONTREAL T: 800.363.5930 @: info@altex.ca	TORONTO T: 888.836.6980 @: sales@altex.ca	VANCOUVER T: 888.980.9899 @: servicewest@altex.ca
--------------------------------------------------------	--------------------------------------------------------	----------------------------------------------------------------



ALTEX[®]
SunProject™
line of products

DEKO[®] ELEKTRA S-70 ULTRA QUIET -120VAC
UQM40 /UQM 40 RTS MOTOR OPERATED ROLLER SYSTEMS



DEKO[®]

ELEKTRA **ULTRA QUIET MOTOR**

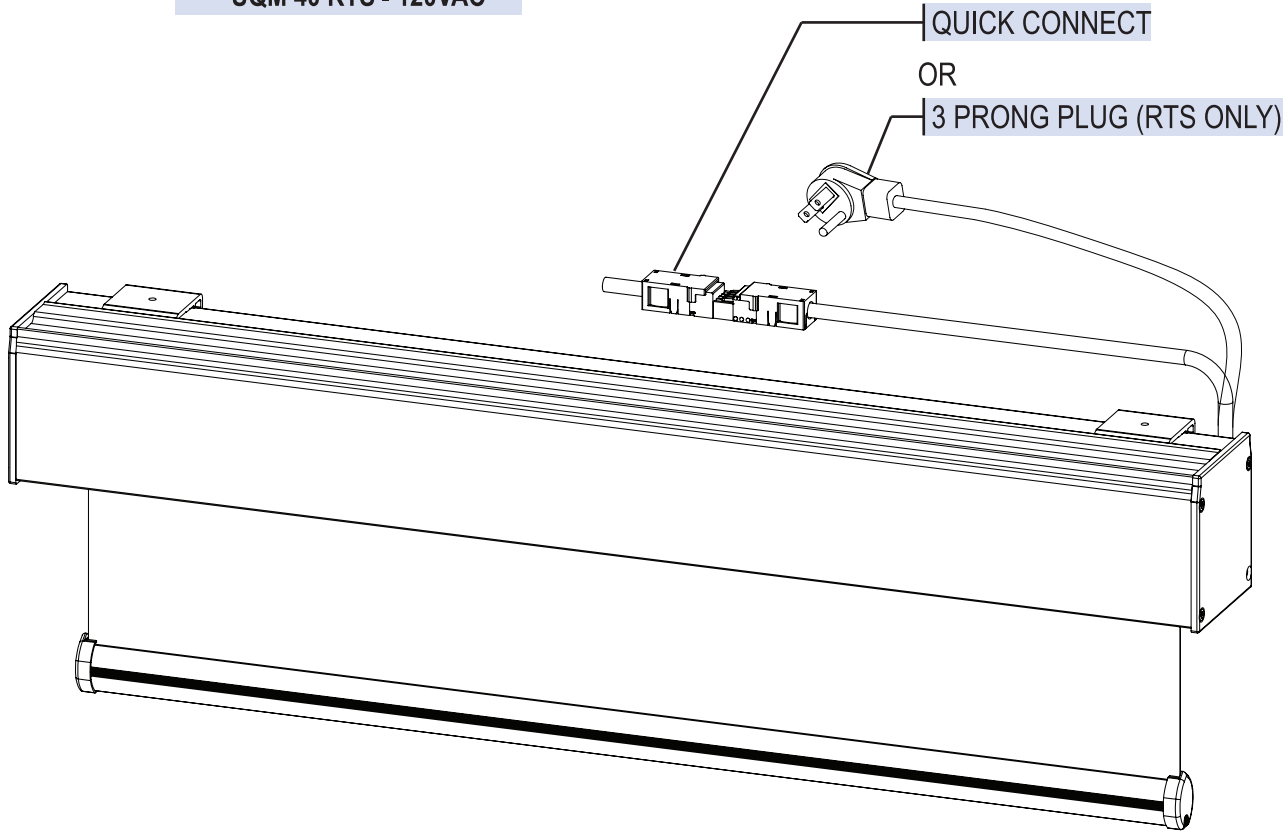
MOTOR TYPE: **UQM 40 - 120VAC**
 UQM 40 RTS - 120VAC

AVAILABLE IN :

QUICK CONNECT

OR

3 PRONG PLUG (RTS ONLY)

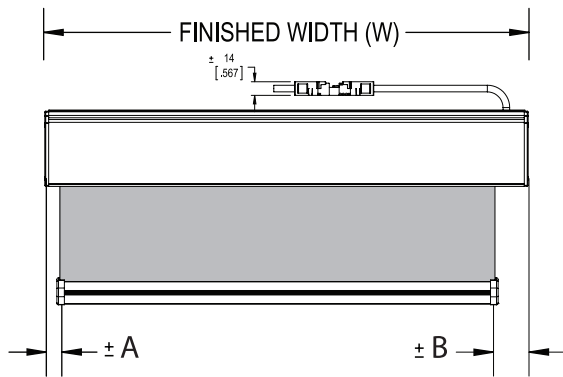


DKO1-EM-S70-UQM40-120VAC

WITH CASSETTE S70



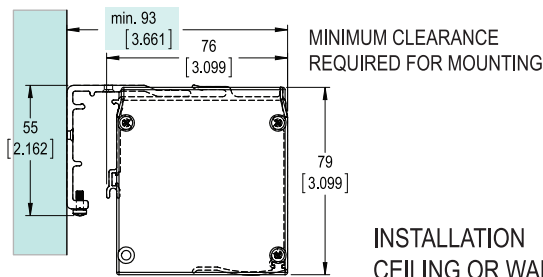
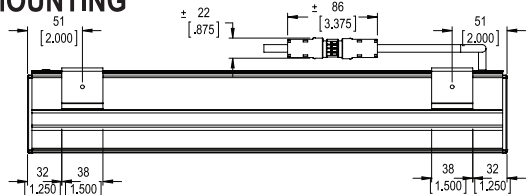
ELEVATION



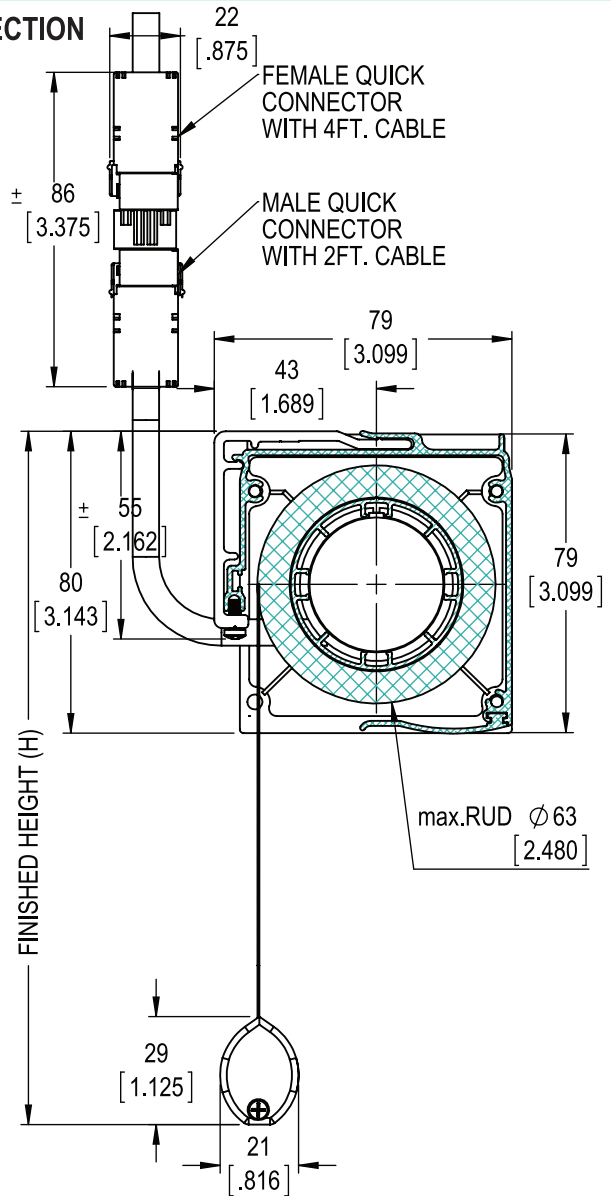
TOLERANCE +/- 1.5mm [0.0625"]
DIMENSIONS mm [inches]

DIMENSION	FABRIC EDGE CLEARANCE [±mm / ±in] BY TUBE TYPE									
	32	38	46	53	63	63	63	63	63	63
A	n/a	n/a	n/a	n/a	16	0.625	16	0.625	n/a	n/a
B	n/a	n/a	n/a	n/a	35	1.375	35	1.375	n/a	n/a

MOUNTING

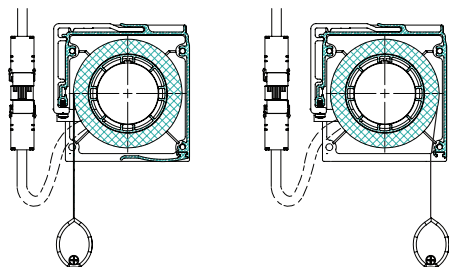


SECTION



MODEL DKO1-EM46-S70-UQM40-120VAC

ROLL STYLE



REGULAR ROLL

REVERSE ROLL

NOTE: For size limitation guidelines, please refer to our Size Limitation Detail Sheets or contact our Technical Department.

MONTREAL

T: 800.363.5930

@: info@altex.ca

TORONTO

T: 888.836.6980

@: sales@altex.ca

VANCOUVER

T: 888.980.9899

@: servicewest@altex.ca



ALTEX[®]

SunProject™
line of products

DEKO[®] ELEKTRA S-100 ULTRA QUIET -120VAC
UQM40 /UQM 40 RTS MOTOR OPERATED ROLLER SYSTEMS



DEKO[®]

ELEKTRA **ULTRA QUIET MOTOR**

MOTOR TYPE: **UQM 40 - 120VAC**

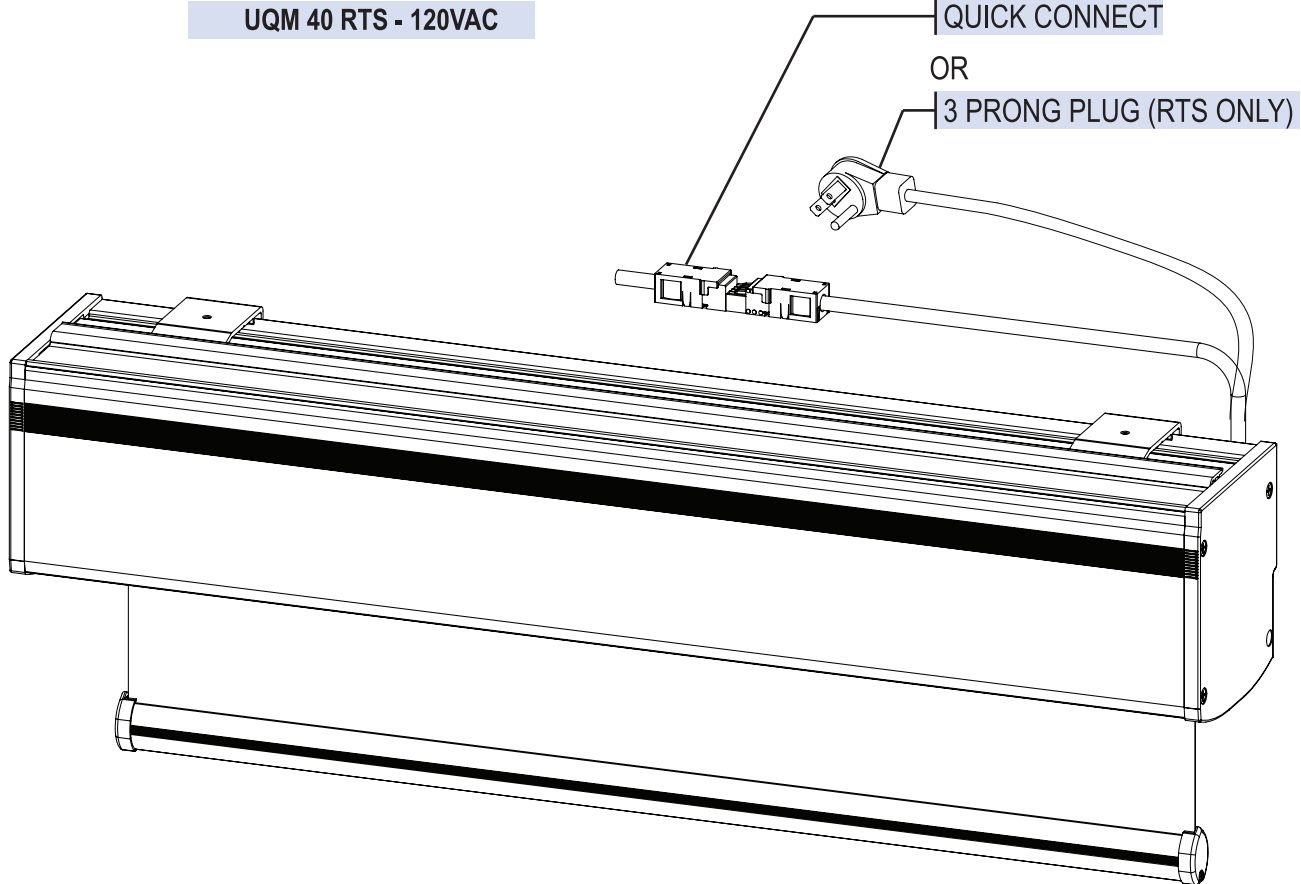
UQM 40 RTS - 120VAC

AVAILABLE IN :

QUICK CONNECT

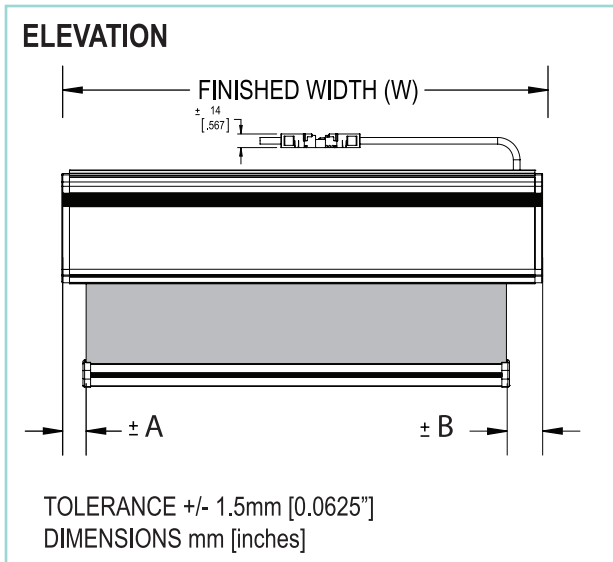
OR

3 PRONG PLUG (RTS ONLY)

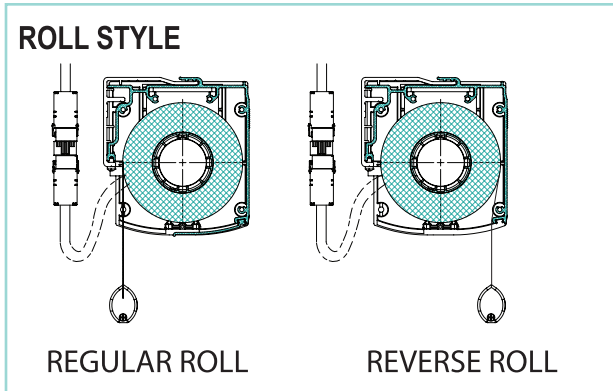
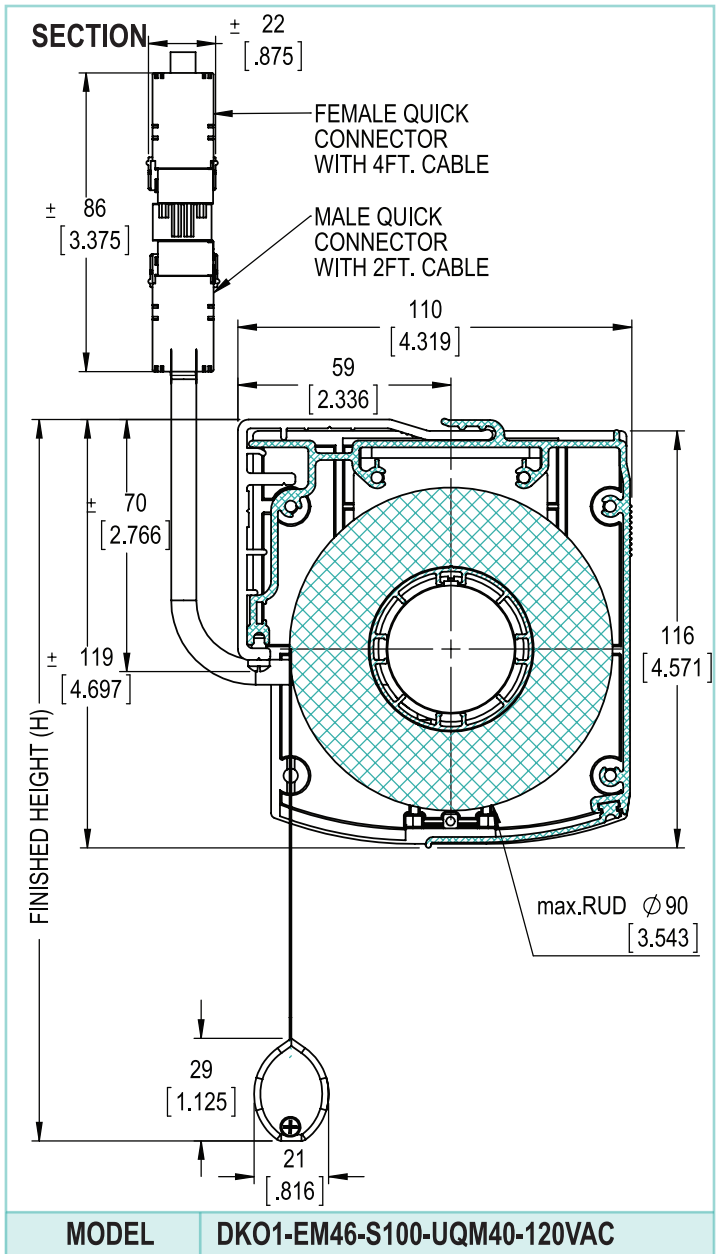
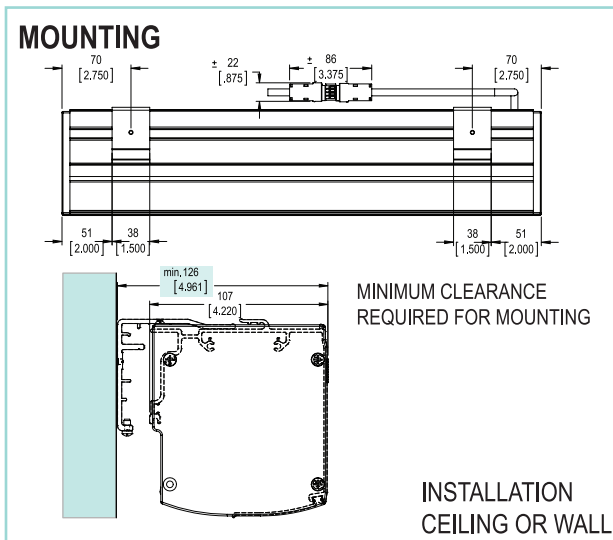


DKO1-EM-S100-UQM40-120VAC

WITH CASSETTE S100



DIMENSION	FABRIC EDGE CLEARANCE [±mm / ±in] BY TUBE TYPE									
	32		38		46		53		63	
A	n/a	n/a	n/a	n/a	25	1.000	25	1.000	n/a	n/a
B	n/a	n/a	n/a	n/a	38	1.500	38	1.500	n/a	n/a



NOTE: For size limitation guidelines, please refer to our Size Limitation Detail Sheets or contact our Technical Department.

MONTREAL T: 800.363.5930 @: info@altex.ca	TORONTO T: 888.836.6980 @: sales@altex.ca	VANCOUVER T: 888.980.9899 @: servicewest@altex.ca
-------------------------------------------------	-------------------------------------------------	---------------------------------------------------------



ALTEX[®]

SunProject™
line of products

DEKO[®] ELEKTRA OR-55 ULTRA QUIET -120VAC UQM50 /UQM 50 RTS /UQM 50 ILT MOTOR OPERATED ROLLER SYSTEMS



DEKO[®]

ELEKTRA ULTRA QUIET MOTOR

MOTOR TYPE: UQM 50 - 120VAC

UQM 50 RTS - 120VAC

UQM 50 ILT - 120VAC

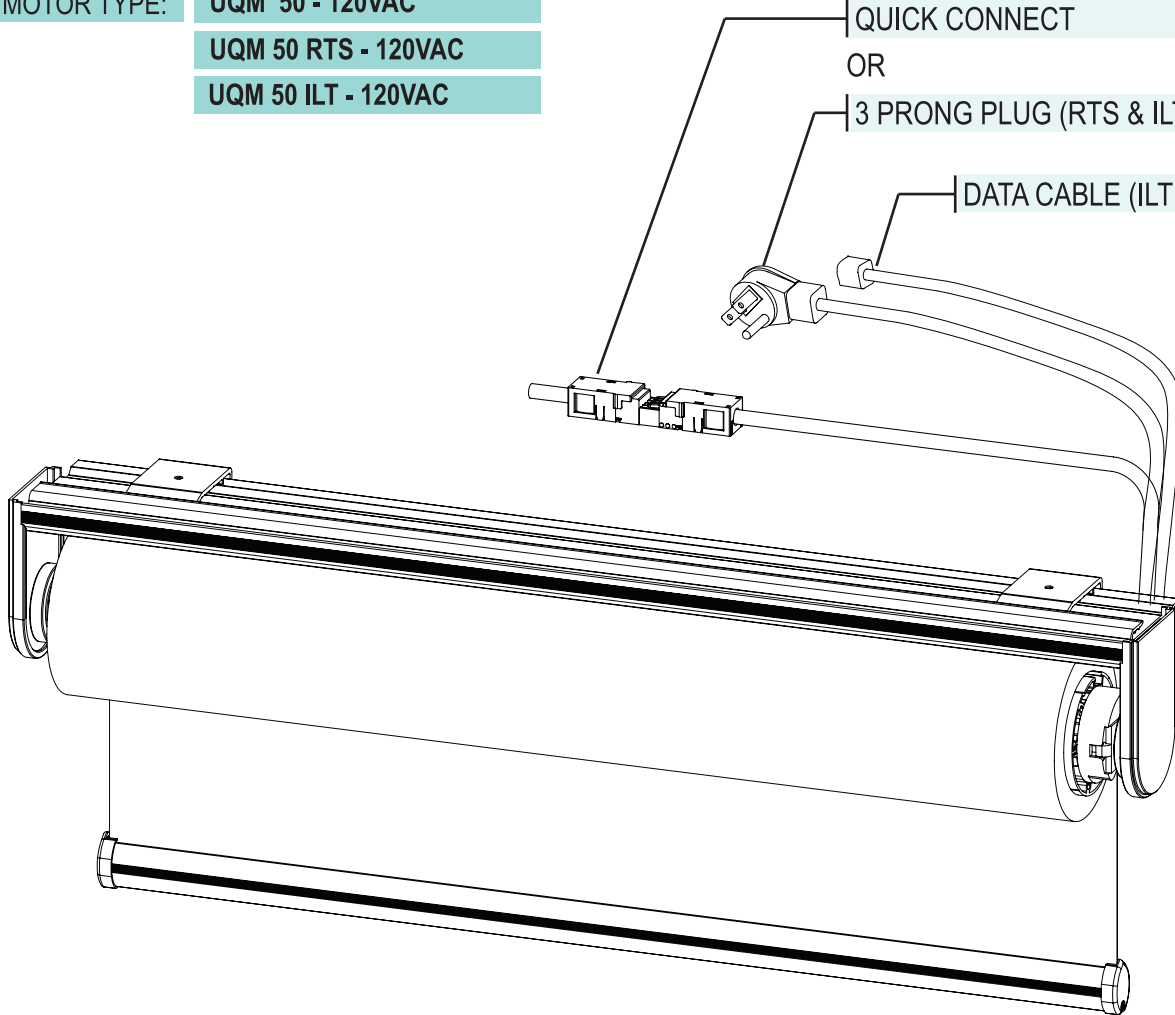
AVAILABLE IN :

QUICK CONNECT

OR

3 PRONG PLUG (RTS & ILT ONLY)

DATA CABLE (ILT ONLY)



DKO1-EM-OR55-UQM50-120VAC

OPEN ROLL 55 with SHADE HOLDER

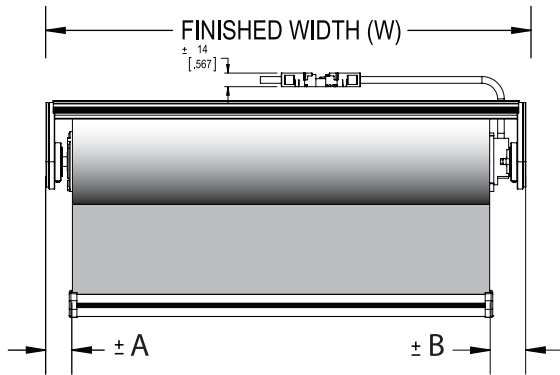


ALTEX[®]
SunProject™
line of products

DEKO[®] ELEKTRA OR-55 ULTRA QUIET -120VAC UQM50 /UQM 50 RTS /UQM 50 ILT MOTOR OPERATED ROLLER SYSTEMS



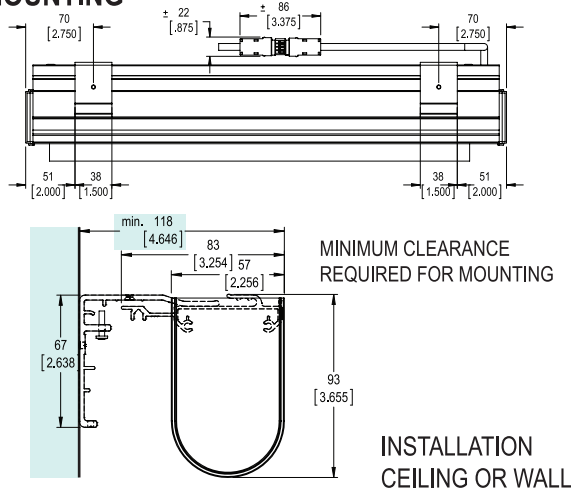
ELEVATION



TOLERANCE +/- 1.5mm [0.0625"]
DIMENSIONS mm [inches]

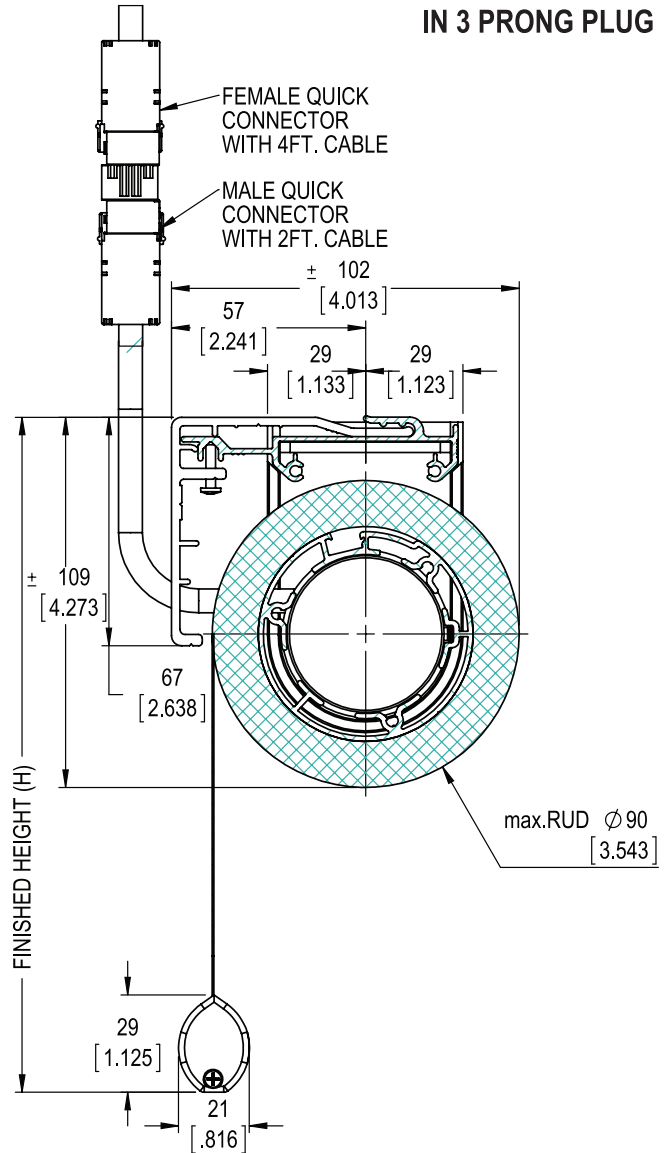
DIMENSION	FABRIC EDGE CLEARANCE [±mm / ±in] BY TUBE TYPE										
	32	38	46	53	63						
A	n/a	n/a	n/a	n/a	n/a	n/a	n/a	n/a	n/a	29	1.125
B	n/a	n/a	n/a	n/a	n/a	n/a	n/a	n/a	n/a	38	1.500

MOUNTING



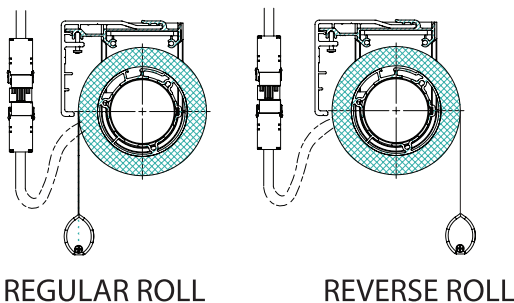
SECTION

AVAILABLE
IN 3 PRONG PLUG



MODEL DKO1-EM63-OR55-UQM50-120VAC

ROLL STYLE



NOTE: For size limitation guidelines, please refer to our Size Limitation Detail Sheets or contact our Technical Department.

MONTREAL T: 800.363.5930 @: info@altex.ca	TORONTO T: 888.836.6980 @: sales@altex.ca	VANCOUVER T: 888.980.9899 @: servicewest@altex.ca
-------------------------------------------------	-------------------------------------------------	---------------------------------------------------------



ALTEX[®]
SunProject™
line of products

DEKO[®] ELEKTRA S-100 ULTRA QUIET -120VAC
UQM50 /UQM 50 RTS /UQM 50 ILT MOTOR OPERATED ROLLER SYSTEMS

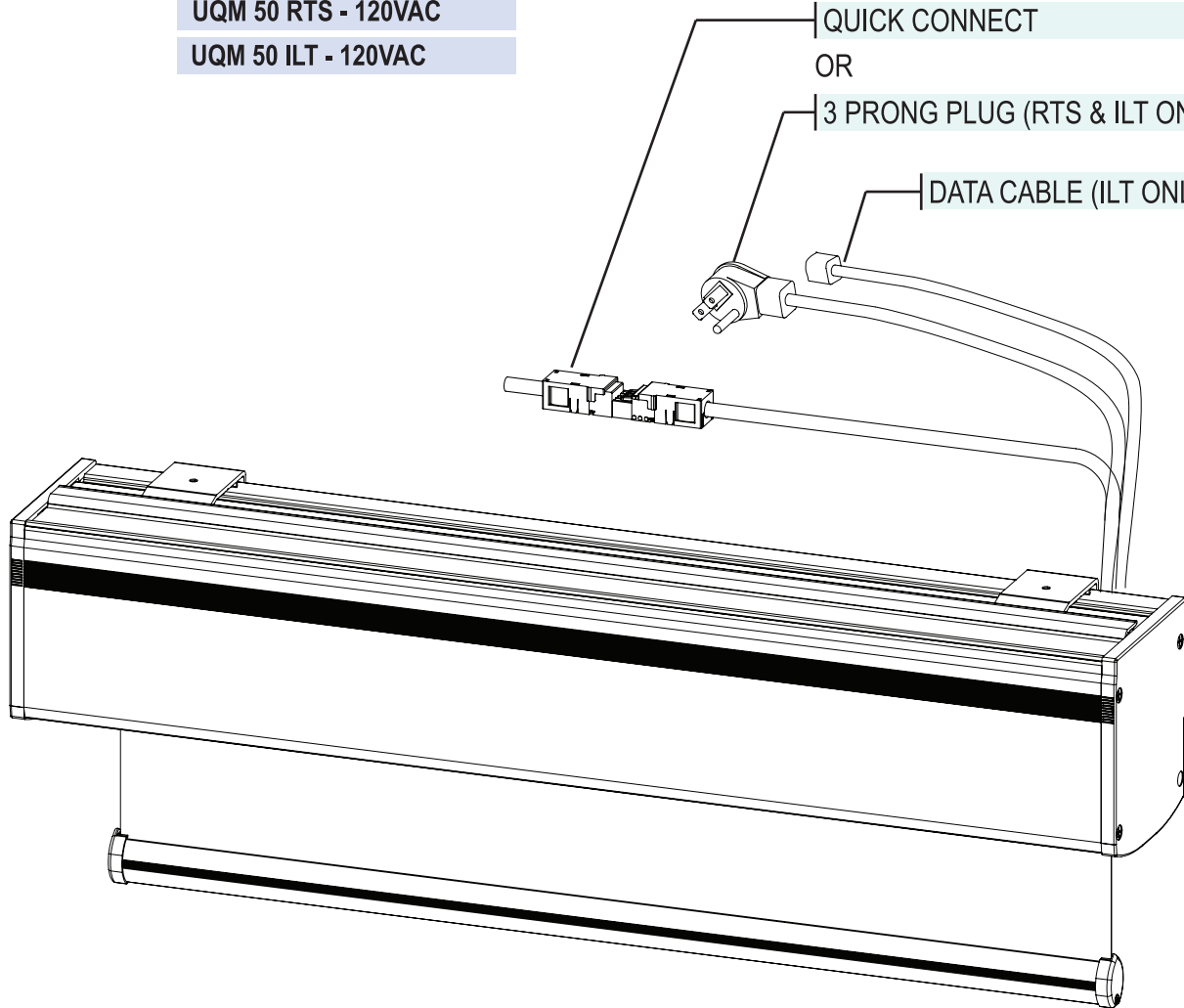


DEKO[®]

ELEKTRA	ULTRA QUIET MOTOR
MOTOR TYPE:	UQM 50 - 120VAC
	UQM 50 RTS - 120VAC
	UQM 50 ILT - 120VAC

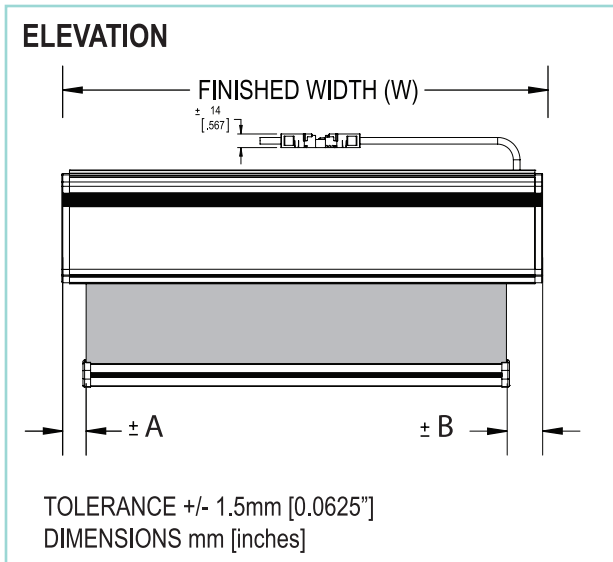
AVAILABLE IN :

- QUICK CONNECT
- OR
- 3 PRONG PLUG (RTS & ILT ONLY)
- DATA CABLE (ILT ONLY)

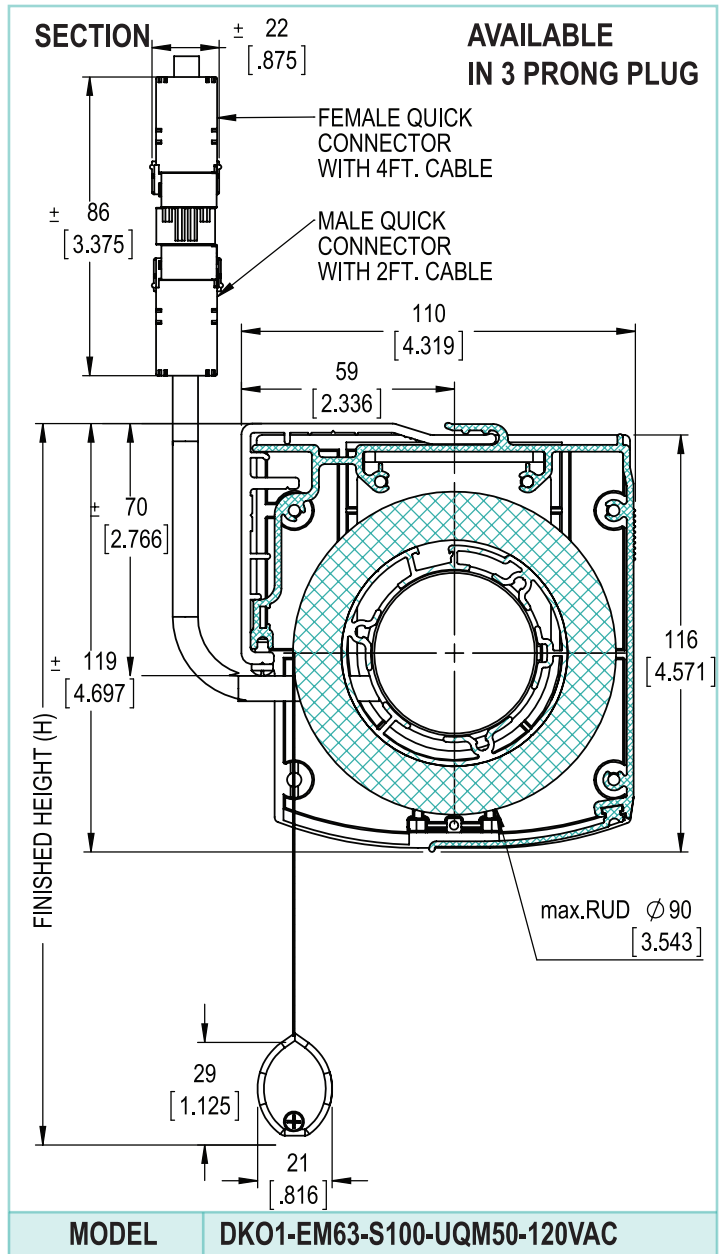
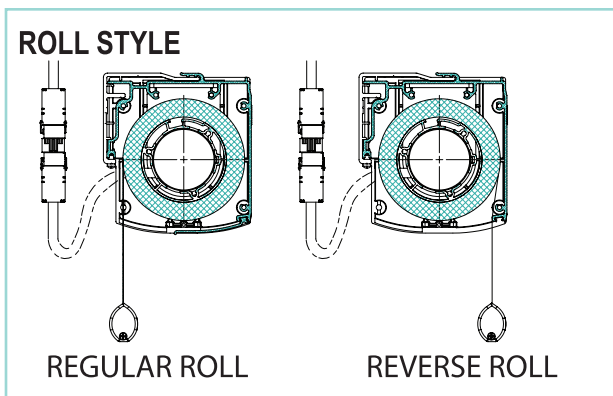
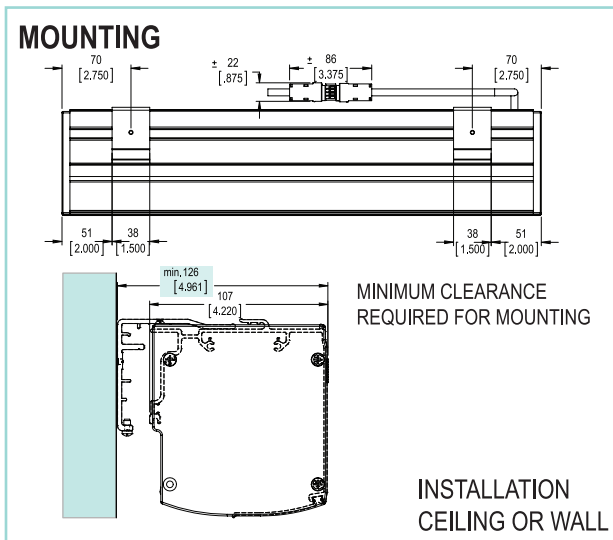


DKO1-EM-S100-UQM50-120VAC

WITH CASSETTE S100



DIMENSION	FABRIC EDGE CLEARANCE [±mm / ±in] BY TUBE TYPE						
	32	38	46	53	63		
A	n/a	n/a	n/a	n/a	n/a	29	1.125
B	n/a	n/a	n/a	n/a	n/a	38	1.500



NOTE: For size limitation guidelines, please refer to our Size Limitation Detail Sheets or contact our Technical Department.

MONTREAL T: 800.363.5930 @: info@altex.ca	TORONTO T: 888.836.6980 @: sales@altex.ca	VANCOUVER T: 888.980.9899 @: servicewest@altex.ca
-------------------------------------------------	-------------------------------------------------	---------------------------------------------------------



ALTEX[®]

SunProject™
line of products

DEKO[®] ELEKTRA OR-55 -120VAC

E-50 /E-50 RTS /E-50 ILT MOTOR OPERATED ROLLER SYSTEMS



DEKO[®]

ELEKTRA REGULAR MOTOR

MOTOR TYPE: E- 50 - 120VAC

E- 50 RTS - 120VAC

E- 50 ILT - 120VAC

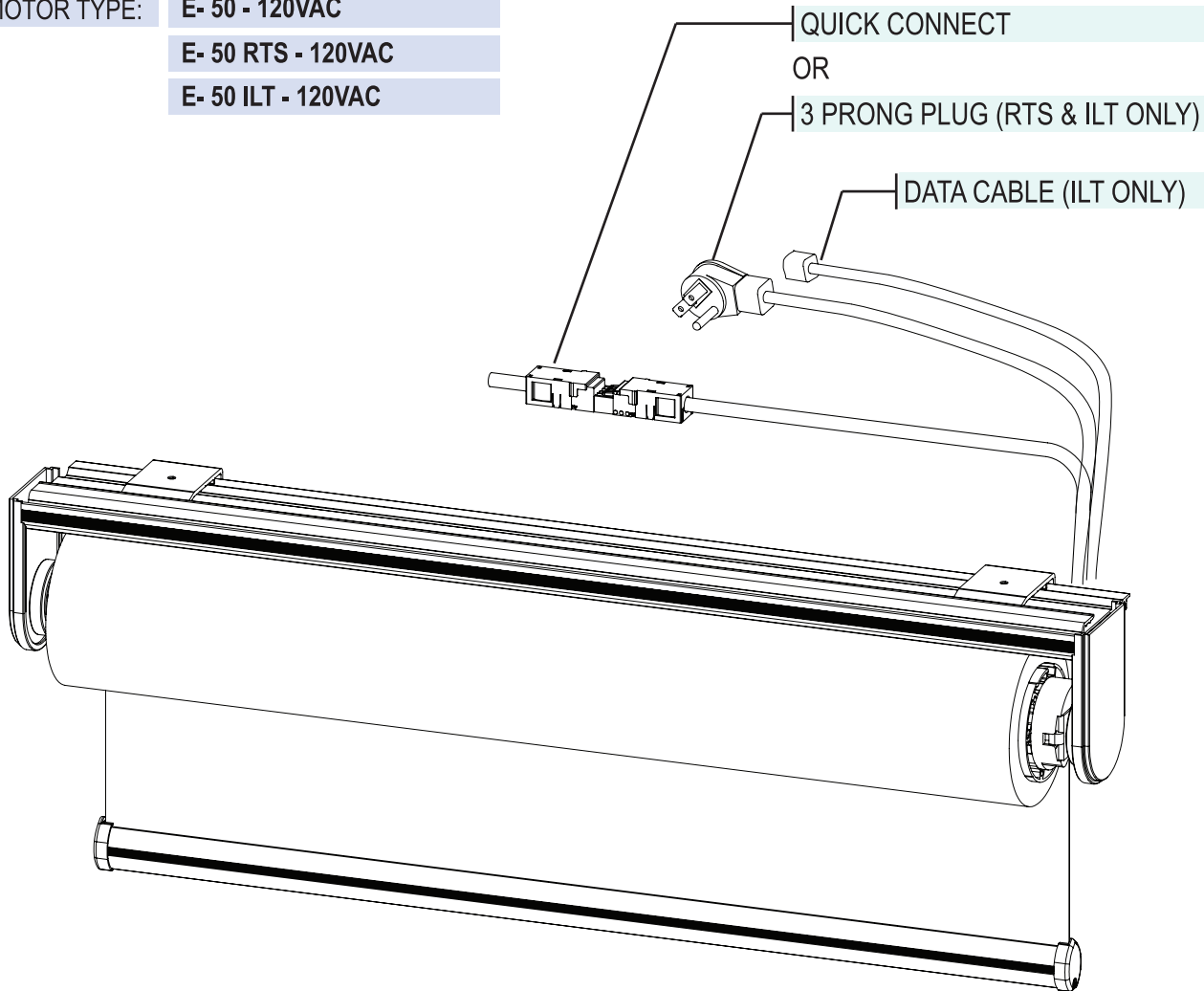
AVAILABLE IN :

QUICK CONNECT

OR

3 PRONG PLUG (RTS & ILT ONLY)

DATA CABLE (ILT ONLY)

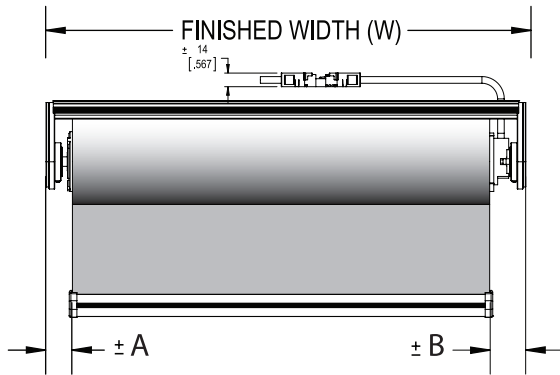


DKO1-EM-OR55-E50-120VAC

OPEN ROLL 55 with SHADE HOLDER



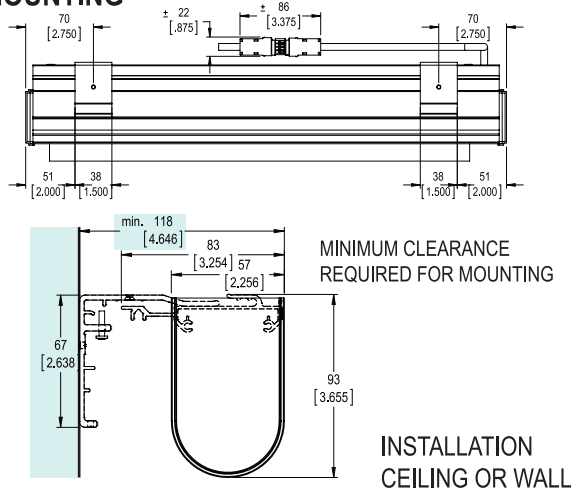
ELEVATION



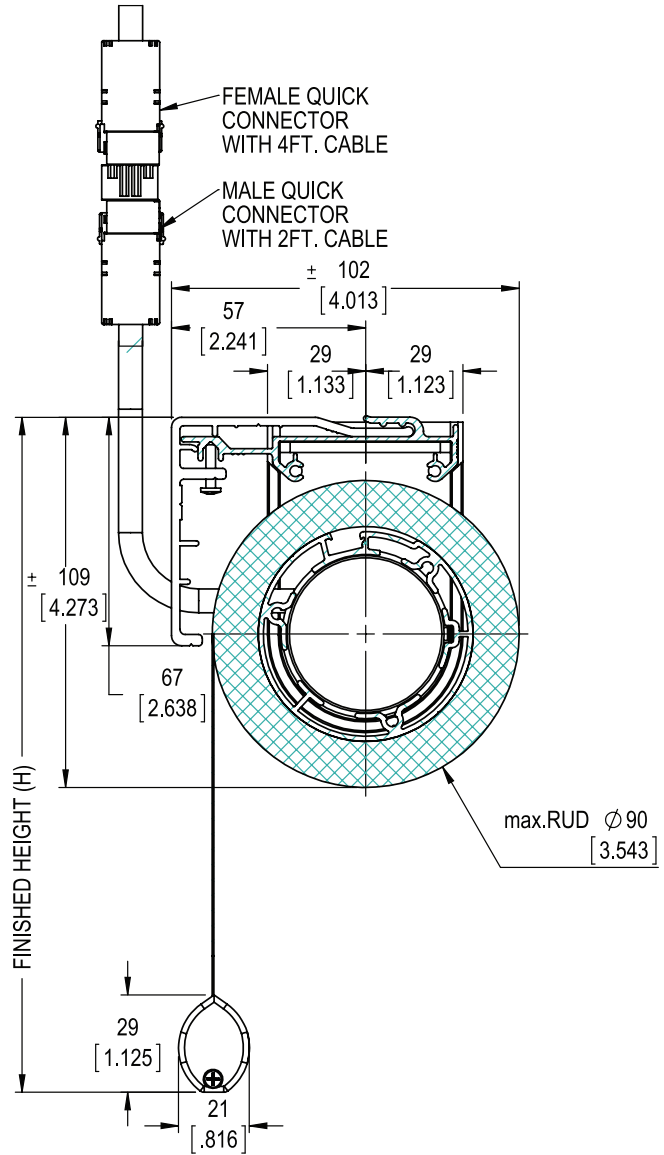
TOLERANCE +/- 1.5mm [0.0625"]
DIMENSIONS mm [inches]

DIMENSION	FABRIC EDGE CLEARANCE [±mm / ±in] BY TUBE TYPE										
	32		38		46		53		63		
A	n/a	n/a	n/a	n/a	n/a	n/a	n/a	n/a	n/a	29	1.125
B	n/a	n/a	n/a	n/a	n/a	n/a	n/a	n/a	n/a	38	1.500

MOUNTING

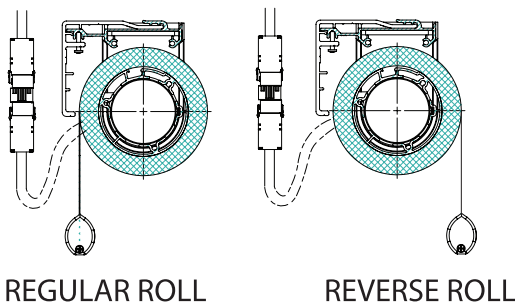


SECTION



MODEL DKO1-EM63-OR55-E50-120VAC

ROLL STYLE



NOTE: For size limitation guidelines, please refer to our Size Limitation Detail Sheets or contact our Technical Department.

MONTREAL T: 800.363.5930 @: info@altex.ca	TORONTO T: 888.836.6980 @: sales@altex.ca	VANCOUVER T: 888.980.9899 @: servicewest@altex.ca
--------------------------------------------------------	--------------------------------------------------------	----------------------------------------------------------------



ALTEX[®]

SunProject™
line of products

DEKO[®] ELEKTRA S-100 -120VAC

E-50 /E-50 RTS /E-50 ILT MOTOR OPERATED ROLLER SYSTEMS



DEKO[®]

ELEKTRA	REGULAR MOTOR
MOTOR TYPE:	E- 50 - 120VAC
	E- 50 RTS - 120VAC
	E- 50 ILT - 120VAC

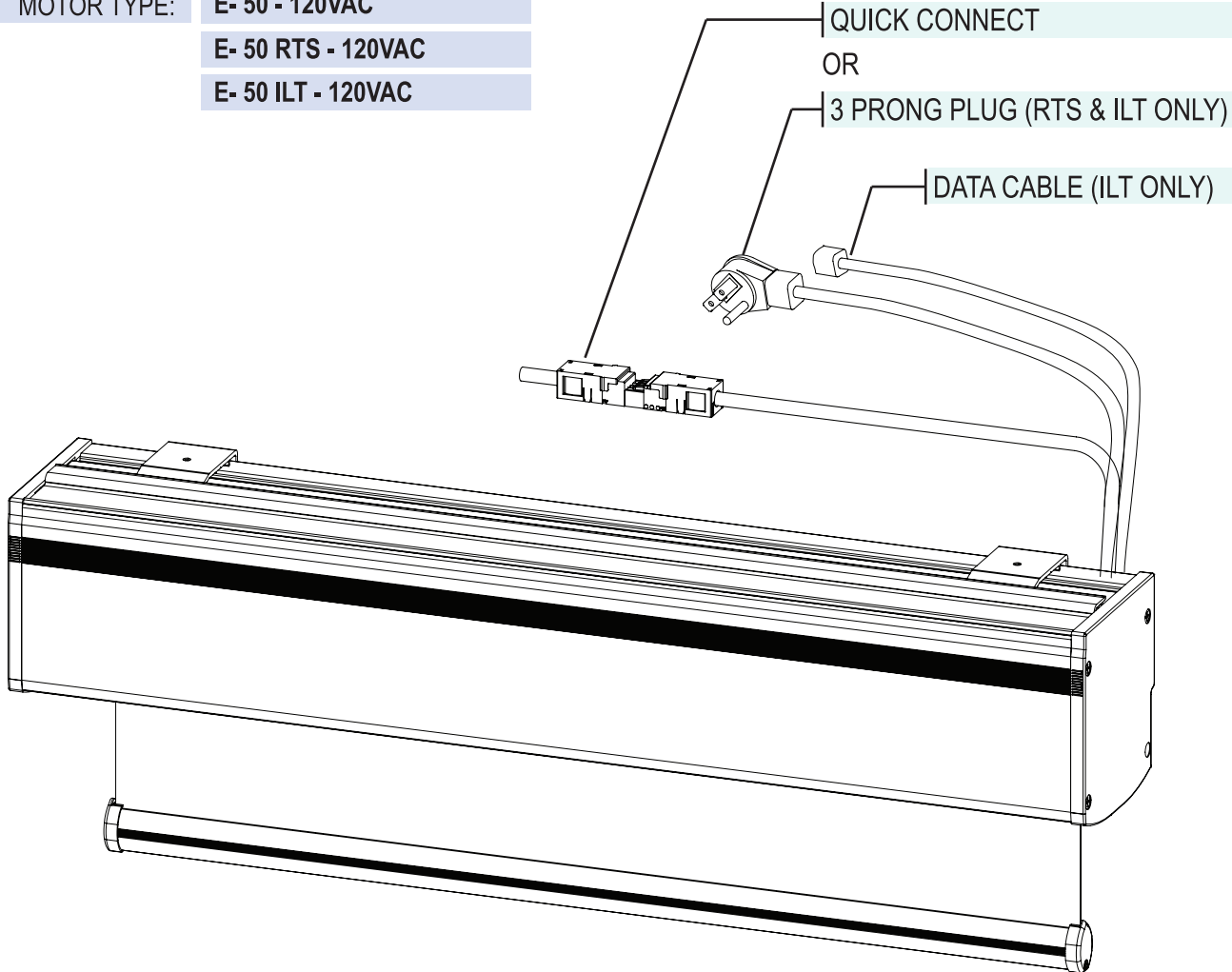
AVAILABLE IN :

QUICK CONNECT

OR

3 PRONG PLUG (RTS & ILT ONLY)

DATA CABLE (ILT ONLY)

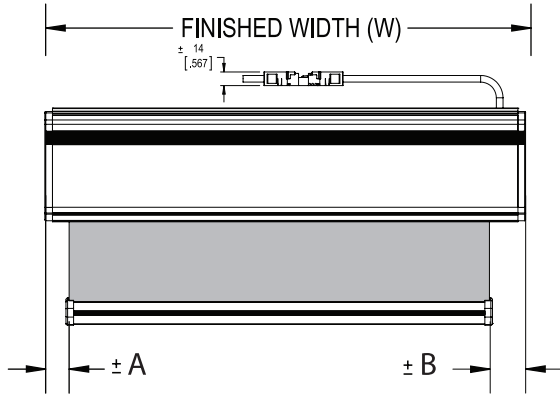


DKO1-EM-S100-E50-120VAC

WITH CASSETTE S100



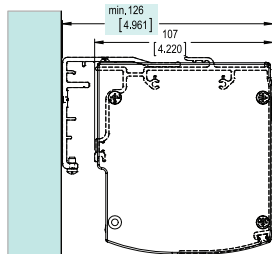
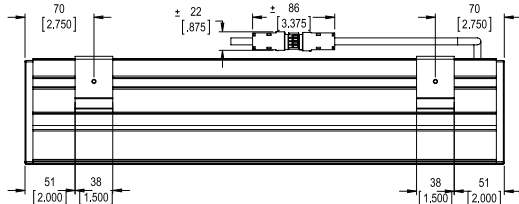
ELEVATION



TOLERANCE +/- 1.5mm [0.0625"]
DIMENSIONS mm [inches]

DIMENSION	FABRIC EDGE CLEARANCE [±mm / ±in] BY TUBE TYPE					29	1.125
	32	38	46	53	63		
A	n/a	n/a	n/a	n/a	n/a	n/a	n/a
B	n/a	n/a	n/a	n/a	n/a	n/a	n/a

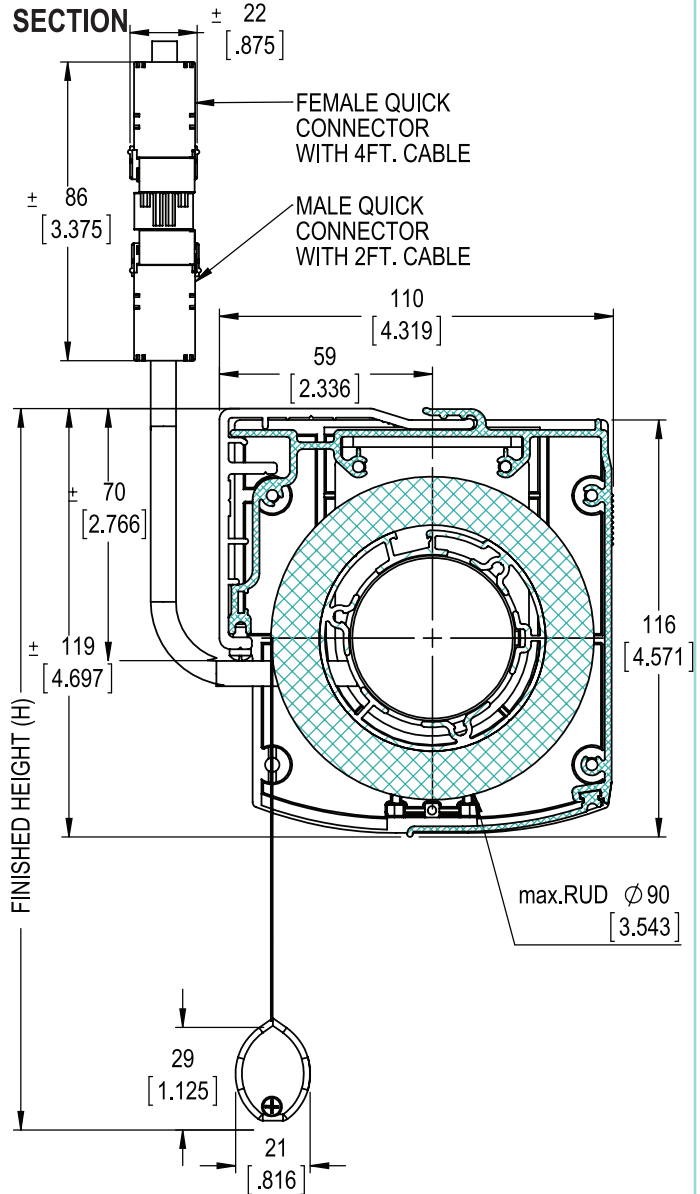
MOUNTING



MINIMUM CLEARANCE
REQUIRED FOR MOUNTING

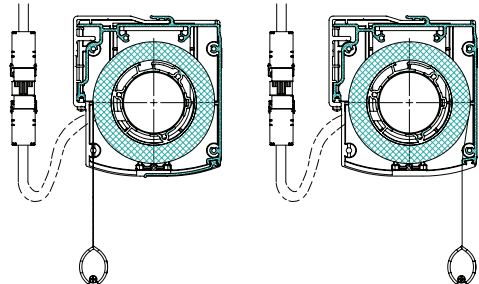
INSTALLATION
CEILING OR WALL

SECTION



MODEL DKO1-EM63-S100-E50-120VAC

ROLL STYLE



REGULAR ROLL

REVERSE ROLL

NOTE: For size limitation guidelines, please refer to our Size Limitation Detail Sheets or contact our Technical Department.

MONTREAL T: 800.363.5930 @: info@altex.ca	TORONTO T: 888.836.6980 @: sales@altex.ca	VANCOUVER T: 888.980.9899 @: servicewest@altex.ca
--------------------------------------------------------	--------------------------------------------------------	----------------------------------------------------------------



ALTEX[®]

SunProject™
line of products

Lined page with 24 horizontal blue lines for writing.



ALTEX[®]

SunProject[™]
line of products

MONTREAL

3530, boul. des Entreprises

Terrebonne (Québec)

Canada J6X 4J8

Phone: 450-968-1171

Toll free: 888-363-5930

TORONTO

500 Applewood Crescent

Vaughan, Ontario

Canada L4K 4B4

Phone: 905-660-3117

Toll free: 888-836-6980

VANCOUVER

1160-21331 Gordon Way

Richmond, British Columbia

Canada V6W 1J9

Phone: 450-968-0880

Toll free: 888-980-9899



ALTEX[®]

SunProject[™]

line of products

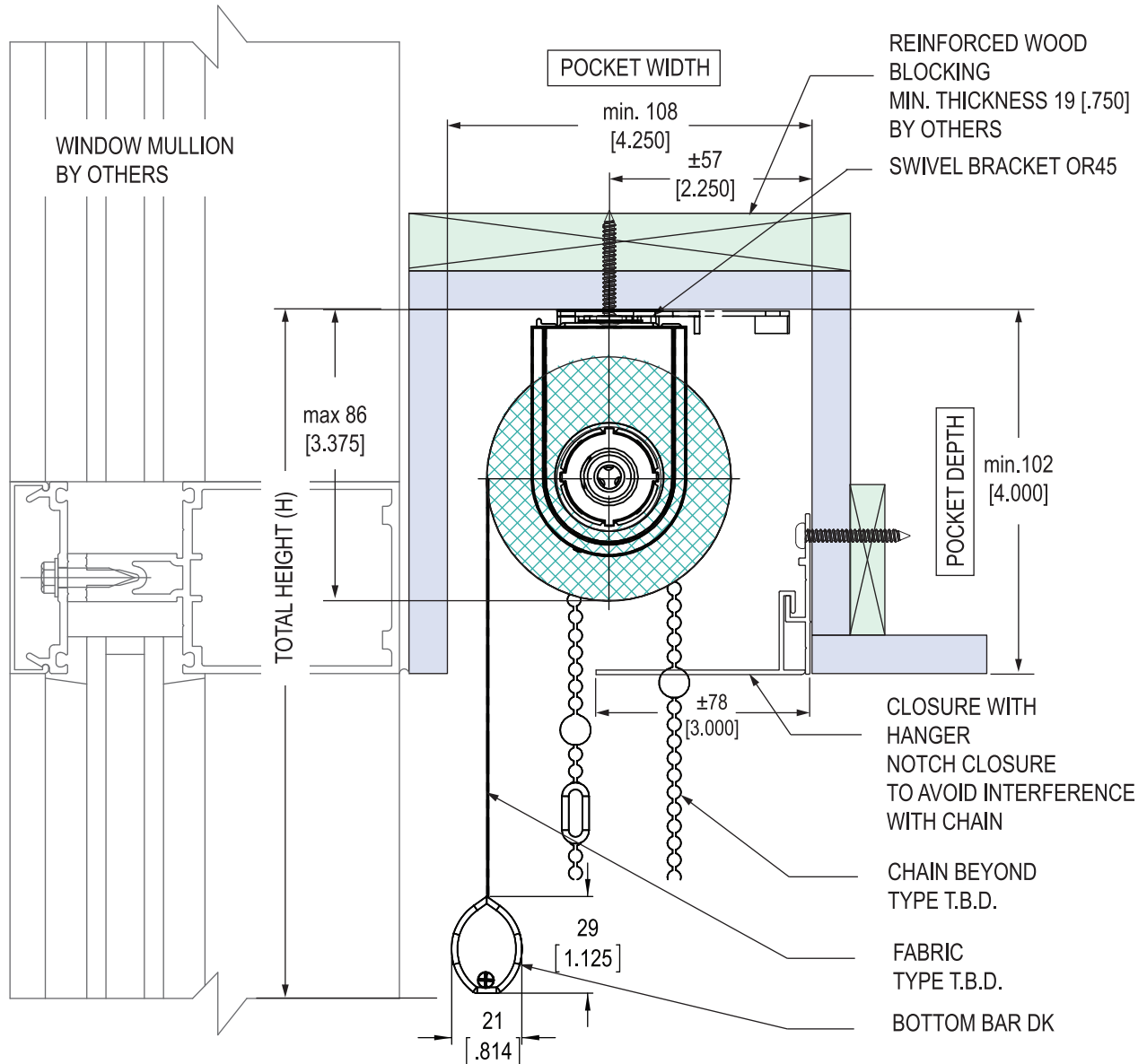
ROLLER SHADING SYSTEMS

LITE-LIFT[®]

ELEKTRA



RECESSED APPLICATION



NOTE: For size limitation guidelines, please refer to our Size Limitation Detail Sheets or contact our Technical Department.

NOTES:

- 1) POCKET SHOWN CONCEPTUAL. POCKET - BY OTHERS.
- 2) DRAWING SHOWN FOR REFERENCE. CONTACT TECH. DEPT. FOR SITE SPECIFIC DRAWINGS

MONTREAL

T: 800.363.5930

@: info@altex.ca

TORONTO

T: 888.836.6980

@: sales@altex.ca

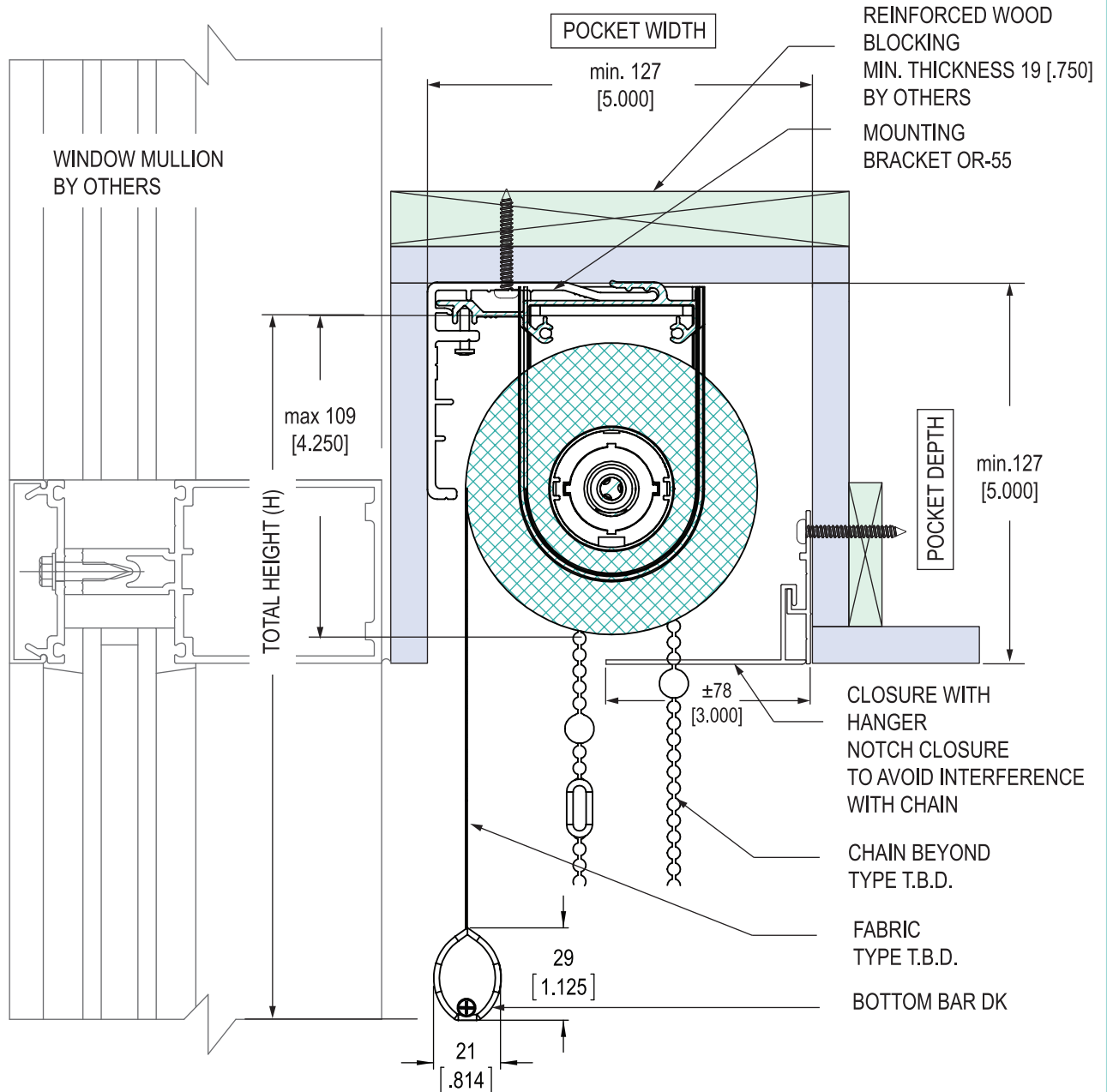
VANCOUVER

T: 888.980.9899

@: servicewest@altex.ca

DK01-LL-OR45-PKT

OPEN ROLL 45 with SHADE HOLDER



NOTE: For size limitation guidelines, please refer to our Size Limitation Detail Sheets or contact our Technical Department.

NOTES:

- 1) POCKET SHOWN CONCEPTUAL. POCKET - BY OTHERS.
- 2) DRAWING SHOWN FOR REFERENCE. CONTACT TECH. DEPT. FOR SITE SPECIFIC DRAWINGS

MONTREAL

T: 800.363.5930

@: info@altex.ca

TORONTO

T: 888.836.6980

@: sales@altex.ca

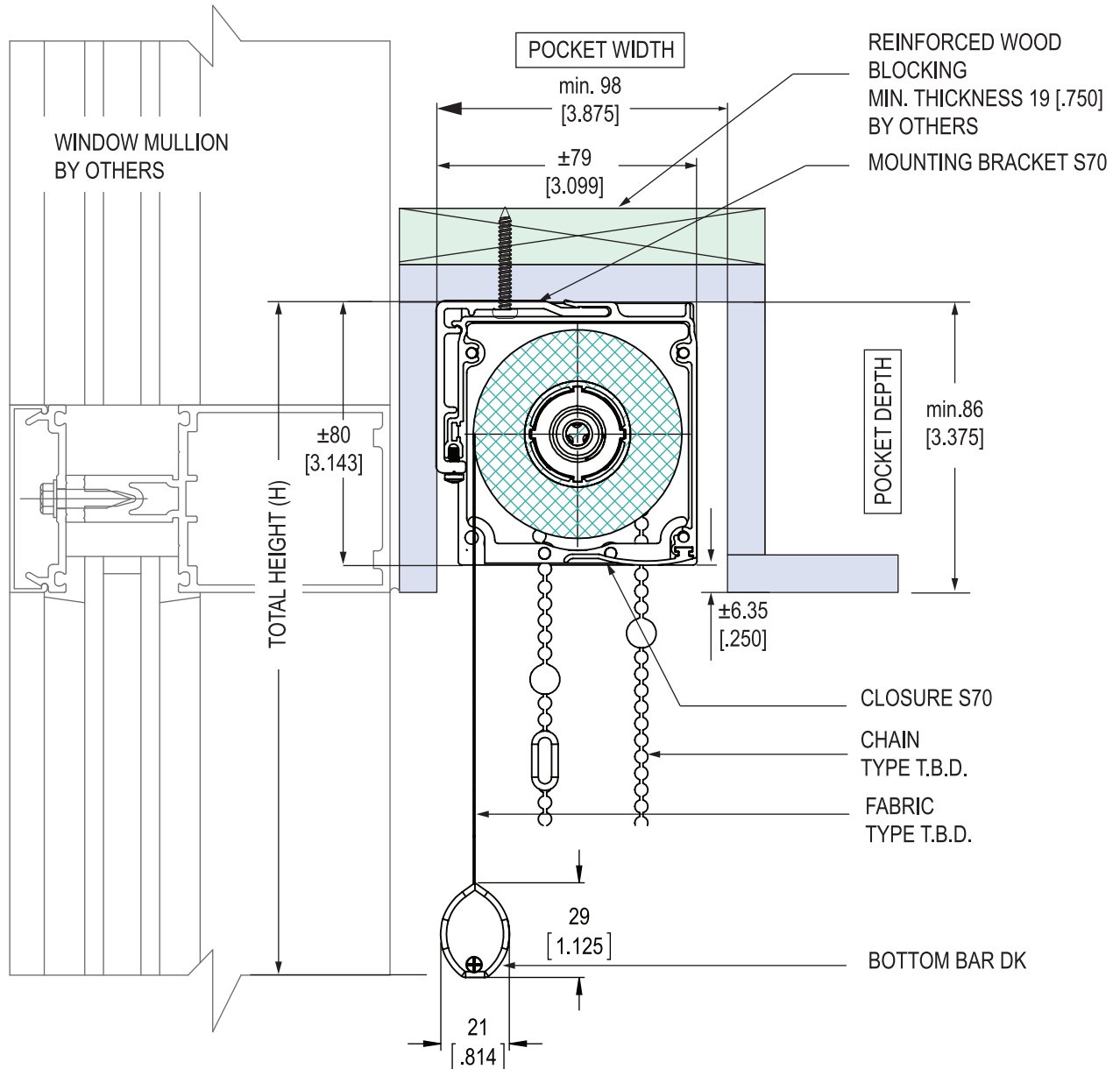
VANCOUVER

T: 888.980.9899

@: servicewest@altex.ca

DK01-LL-OR55-PKT

OPEN ROLL 55 with SHADE HOLDER



NOTE: For size limitation guidelines, please refer to our Size Limitation Detail Sheets or contact our Technical Department.

NOTES:

- 1) POCKET SHOWN CONCEPTUAL. POCKET - BY OTHERS.
- 2) DRAWING SHOWN FOR REFERENCE. CONTACT TECH. DEPT. FOR SITE SPECIFIC DRAWINGS

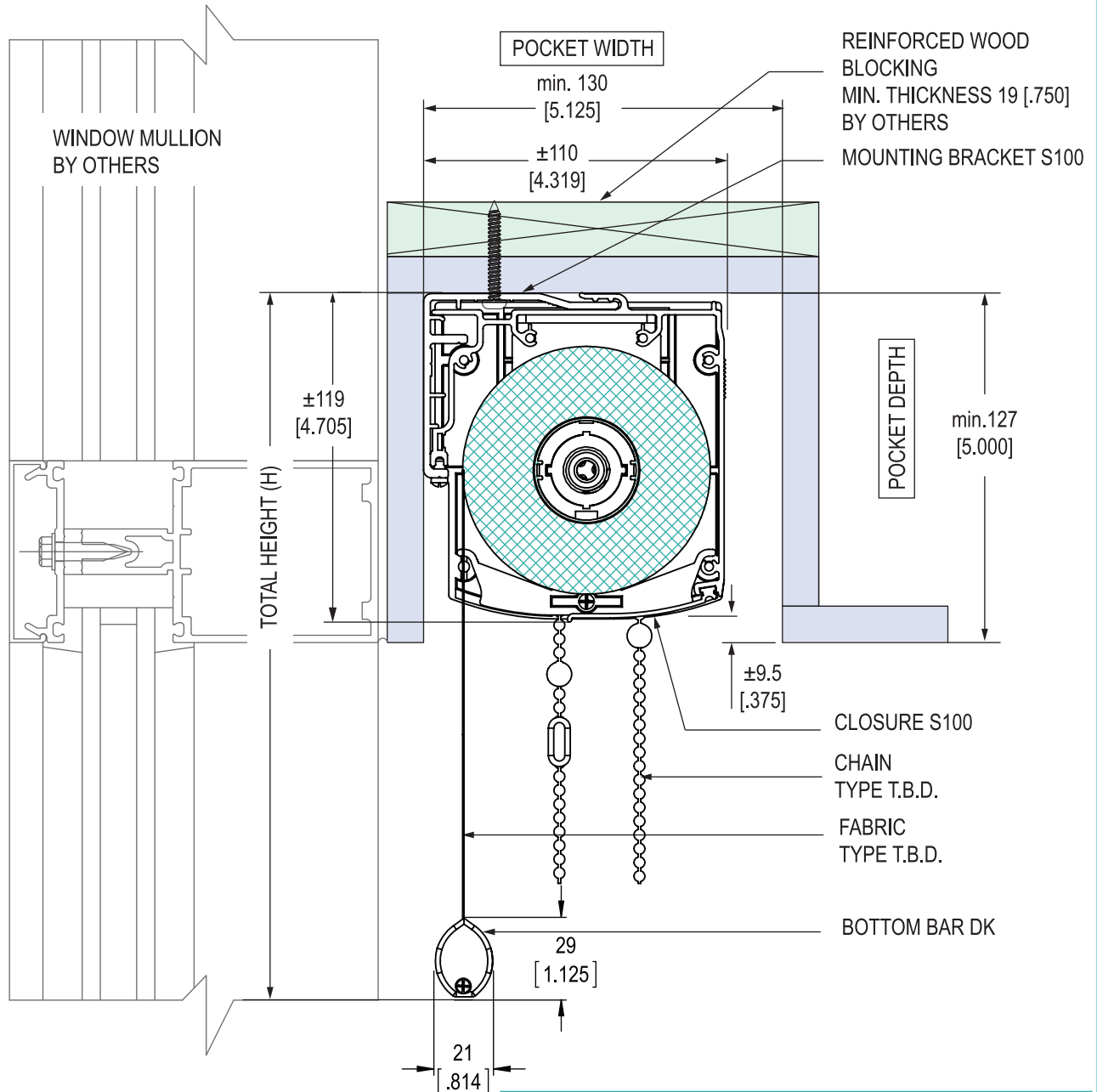
MONTREAL
T: 800.363.5930
@: info@altex.ca

TORONTO
T: 888.836.6980
@: sales@altex.ca

VANCOUVER
T: 888.980.9899
@: servicewest@altex.ca

DK01-S70-LL-PKT

CASSETTE S-70



NOTE: For size limitation guidelines, please refer to our Size Limitation Detail Sheets or contact our Technical Department.

NOTES:

- 1) POCKET SHOWN CONCEPTUAL. POCKET - BY OTHERS.
- 2) DRAWING SHOWN FOR REFERENCE. CONTACT TECH. DEPT. FOR SITE SPECIFIC DRAWINGS

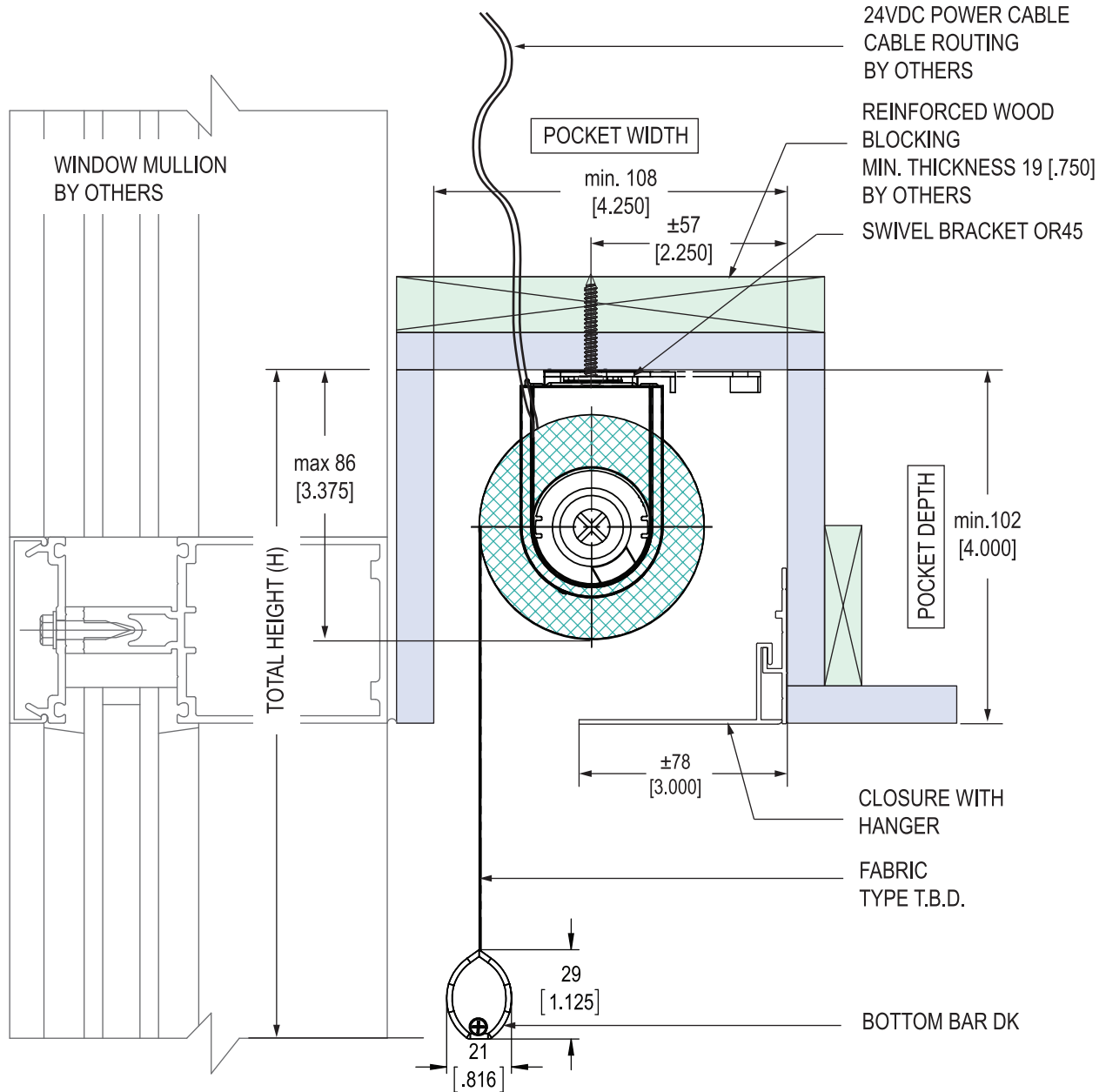
MONTREAL
T: 800.363.5930
@: info@altex.ca

TORONTO
T: 888.836.6980
@: sales@altex.ca

VANCOUVER
T: 888.980.9899
@: servicewest@altex.ca

DK01-S100-LL-PKT

CASSETTE S-100



NOTES:

- 1) POCKET SHOWN CONCEPTUAL. POCKET - BY OTHERS.
- 2) DRAWING SHOWN FOR REFERENCE. CONTACT TECH. DEPT. FOR SITE SPECIFIC DRAWINGS
- 3) CABLE ROUTING MUST BE DETERMINED PRIOR SHADE INSTALLATION. COORDINATE WITH TECH. DEPT.
- 4) 24VDC AND DATA WIRING - BY OTHERS

NOTE: For size limitation guidelines, please refer to our Size Limitation Detail Sheets or contact our Technical Department.

MONTREAL

T: 800.363.5930

@: info@altex.ca

TORONTO

T: 888.836.6980

@: sales@altex.ca

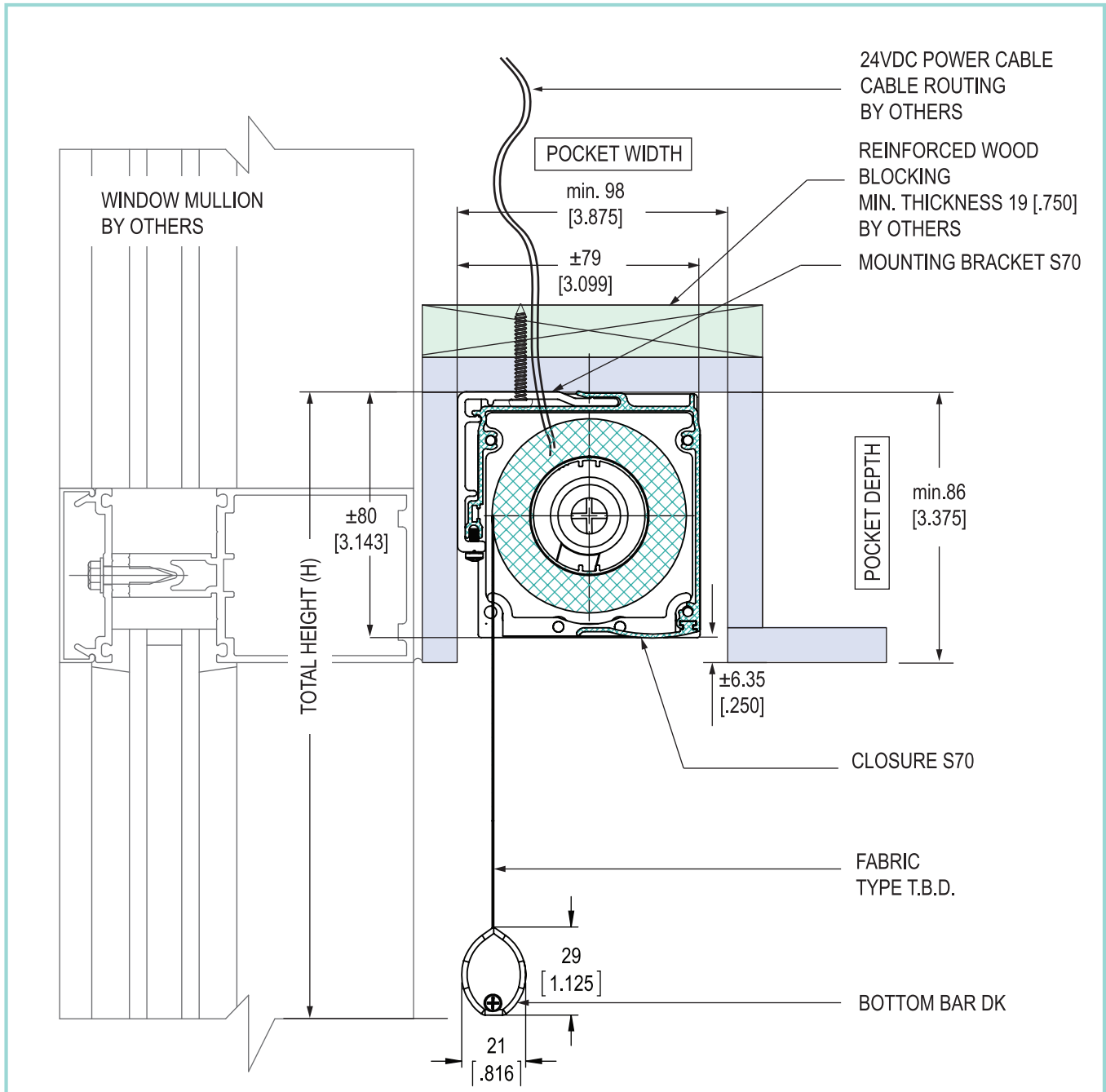
VANCOUVER

T: 888.980.9899

@: servicewest@altex.ca

DKO1-EM-OR45-UQM30-PKT

OPEN ROLL 45 with SHADE HOLDER



NOTES:

- 1) POCKET SHOWN CONCEPTUAL. POCKET - BY OTHERS.
- 2) DRAWING SHOWN FOR REFERENCE. CONTACT TECH. DEPT. FOR SITE SPECIFIC DRAWINGS
- 3) CABLE ROUTING MUST BE DETERMINED PRIOR SHADE INSTALLATION. COORDINATE WITH TECH. DEPT.
- 4) 24VDC AND DATA WIRING - BY OTHERS

NOTE: For size limitation guidelines, please refer to our Size Limitation Detail Sheets or contact our Technical Department.

MONTREAL
T: 800.363.5930
@: info@altex.ca

TORONTO
T: 888.836.6980
@: sales@altex.ca

VANCOUVER
T: 888.980.9899
@: servicewest@altex.ca

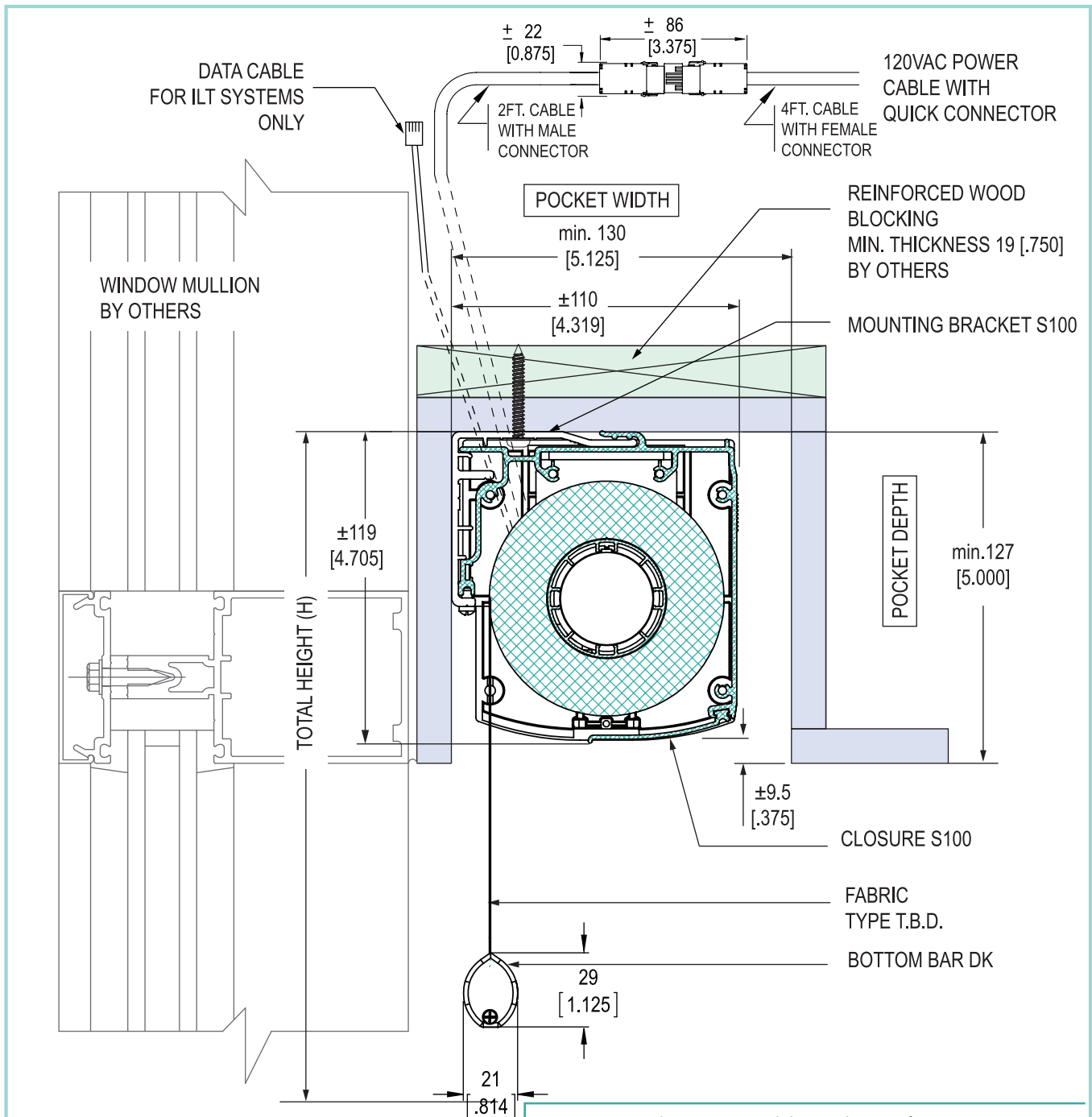
DKO1-EM-S70-UQM30-PKT

CASSETTE S-70



ALTEX[®]
SunProject™
line of products

DEKO[®] ELEKTRA CASSETTE S100 MOTORIZED 120VAC RECESSED APPLICATION



NOTES:

- 1) POCKET SHOWN CONCEPTUAL. POCKET - BY OTHERS.
- 2) DRAWING SHOWN FOR REFERENCE. CONTACT TECH. DEPT. FOR SITE SPECIFIC DRAWINGS
- 3) CABLE ROUTING MUST BE DETERMINED PRIOR SHADE INSTALLATION. COORDINATE WITH TECH. DEPT.
- 4) 120VAC AND DATA WIRING - BY OTHERS

NOTE: For size limitation guidelines, please refer to our Size Limitation Detail Sheets or contact our Technical Department.

MONTREAL
T: 800.363.5930
@: info@altex.ca

TORONTO
T: 888.836.6980
@: sales@altex.ca

VANCOUVER
T: 888.980.9899
@: servicewest@altex.ca

DK01-S100-EM-PKT

CASSETTE S-100



ALTEX[®]

SunProject[™]
line of products

MONTREAL

3530, boul. des Entreprises

Terrebonne (Québec)

Canada J6X 4J8

Phone: 450-968-0880

Toll free: 800-363-5930

TORONTO

500 Applewood Crescent

Vaughan, Ontario

Canada L4K 4B4

Phone: 905-660-3117

Toll free: 888-836-6980

VANCOUVER

1160-21331 Gordon Way

Richmond, British Columbia

Canada V6W 1J9

Phone: 604-980-9899

Toll free: 888-980-9899

