



**ALTEX**<sup>®</sup>

SunProject<sup>™</sup>

line of products

## **ROLLER SHADING SYSTEMS**

**LITE-LIFT**<sup>®</sup>

**ELEKTRA**



## **PRODUCT OVERVIEW**

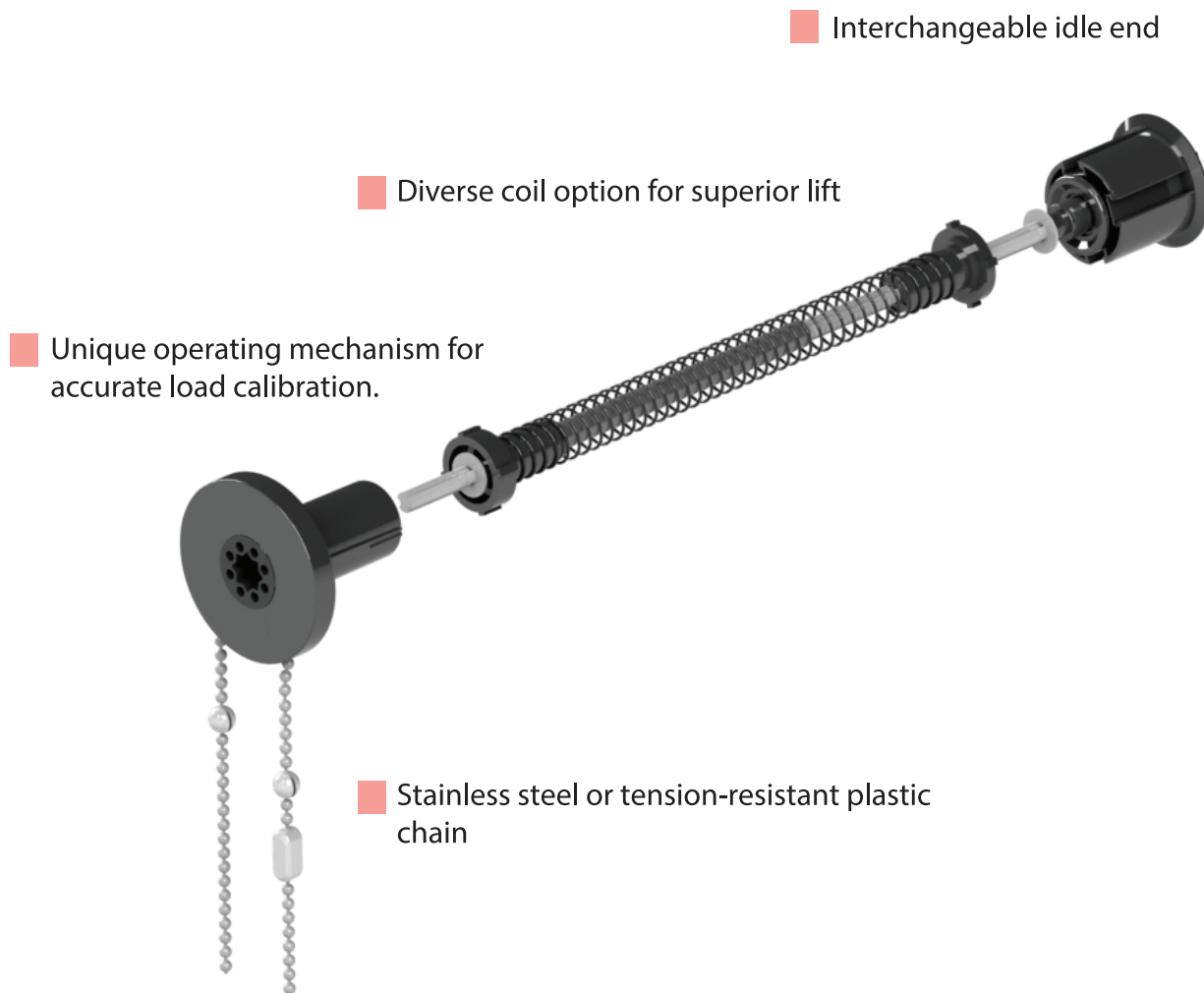


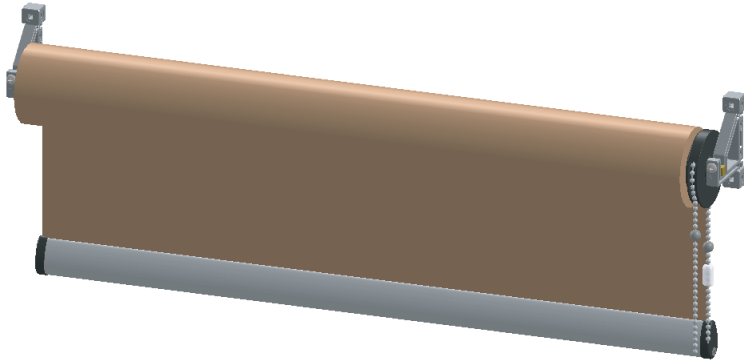
Our SunProject Chain Operated Shades Feature Lite<sup>®</sup>Lift a smooth state of the art easy lift activated mechanism.

- **Lite-Lift<sup>®</sup>** provides a smooth constant effortless lift of all shades with finger tip control.
- **Lite-Lift<sup>®</sup>** alleviates stress on the chain and avoids chain breakage (Major cause of maintenance associated with chain operated shades).
- **Shade can be pulled down by the bottom bar** (without stripping or damaging the mechanism) without having to pull from the chain.

**Shade mechanism cannot be stripped or damaged!**

Virtually lasts forever. **Durable - Heavy use design**, important in commercial applications where products are subject to abuse.





**TEKNO**<sup>®</sup> TK-1

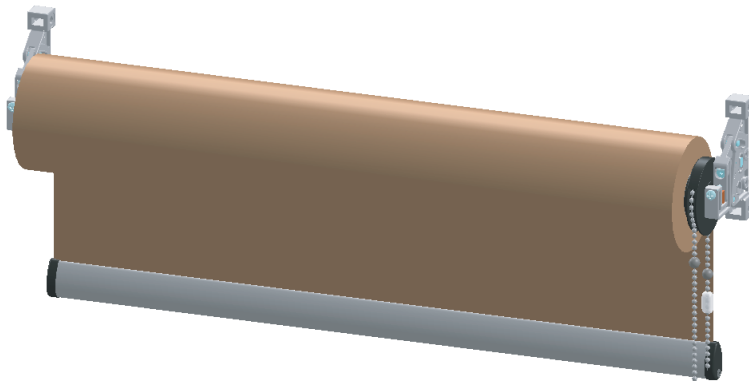
LITE-LIFT<sup>®</sup> CHAIN OPERATED

**OPEN ROLL OR-TR**

SHADE HOLDER: N/A

GUIDE CABLES: N/A

CHANNELS: N/A



**TEKNO**<sup>®</sup> TK-1

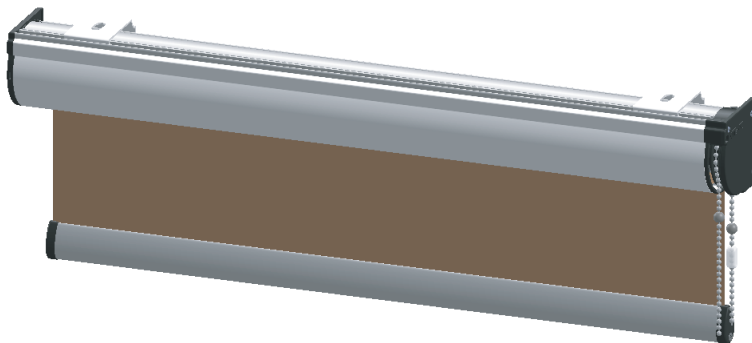
LITE-LIFT<sup>®</sup> CHAIN OPERATED

**OPEN ROLL OR-HP**

SHADE HOLDER: N/A

GUIDE CABLES: N/A

CHANNELS: N/A



**TEKNO**<sup>®</sup> TK-1

LITE-LIFT<sup>®</sup> CHAIN OPERATED

**CASSETTE C-70**

SHADE HOLDER: N/A

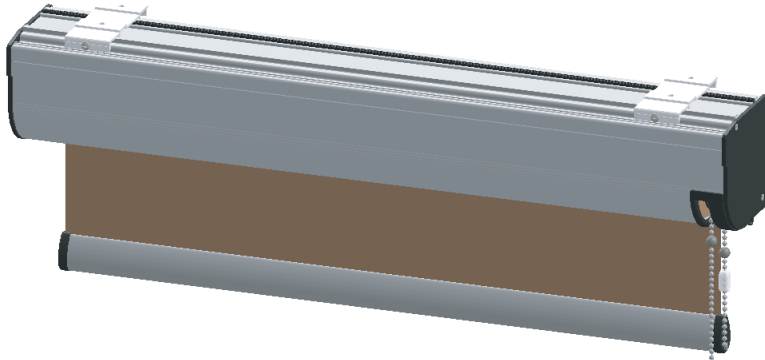
GUIDE CABLES: N/A

CHANNELS: N/A



**ALTEX**<sup>®</sup>  
SunProject™  
line of products

## TEKNO<sup>®</sup> LITE-LIFT<sup>®</sup> CHAIN OPERATED ROLLER SYSTEM



TEKNO<sup>®</sup> TK-1

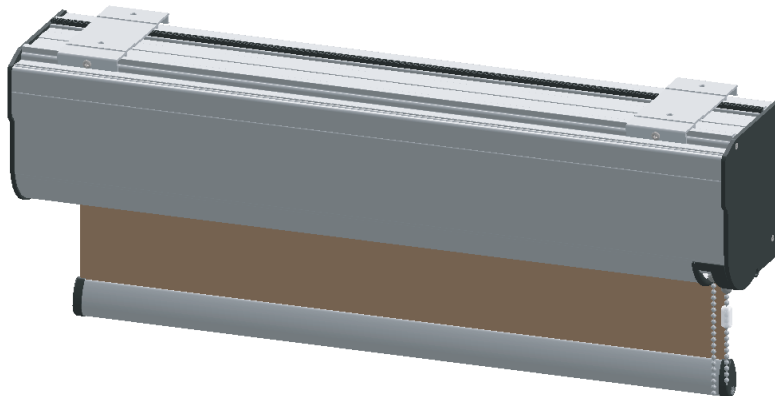
LITE-LIFT<sup>®</sup> CHAIN OPERATED

**CASSETTE C-95**

SHADE HOLDER: N/A

GUIDE CABLES: N/A

CHANNELS: N/A



TEKNO<sup>®</sup> TK-1

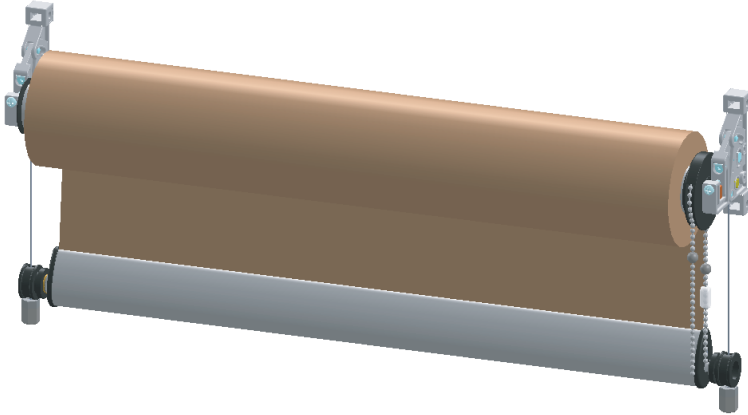
LITE-LIFT<sup>®</sup> CHAIN OPERATED

**CASSETTE C-125**

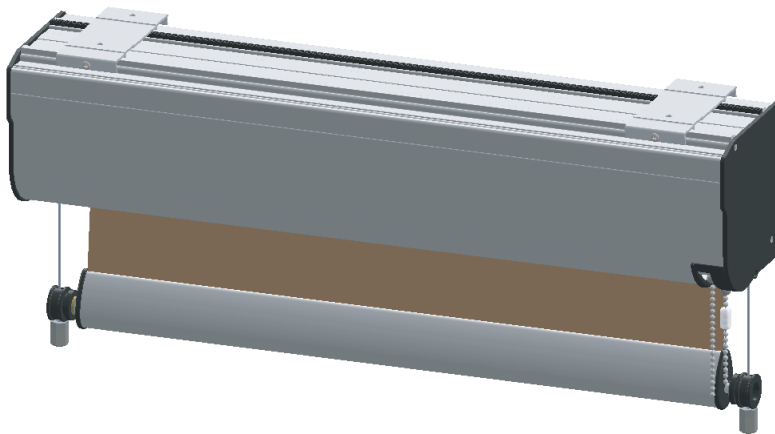
SHADE HOLDER: N/A

GUIDE CABLES: N/A

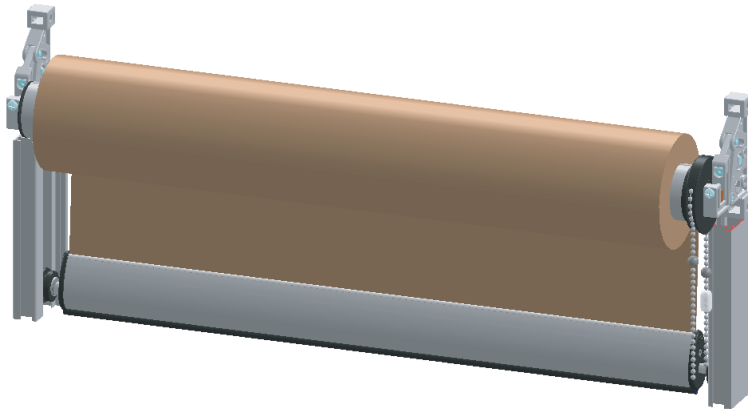
CHANNELS: N/A



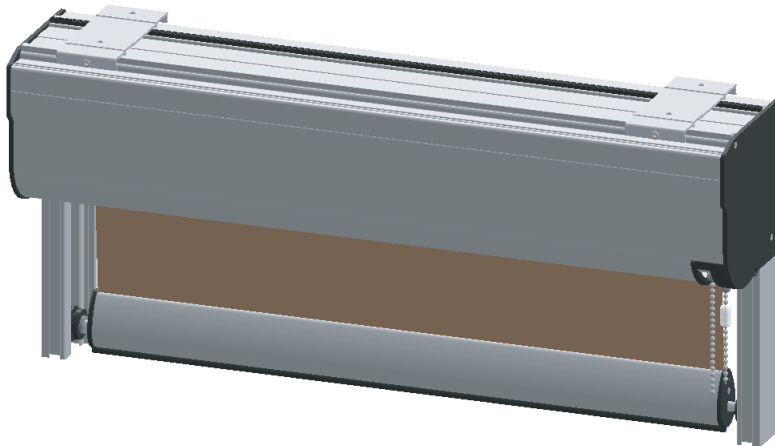
<b>TEKNO</b> <sup>®</sup> <b>TK-2</b>	
LITE-LIFT <sup>®</sup>	CHAIN OPERATED
<b>OPEN ROLL OR-HP</b>	
SHADE HOLDER: N/A	
GUIDE CABLES: <b>WITH GUIDE CABLES</b>	
CHANNELS: N/A	



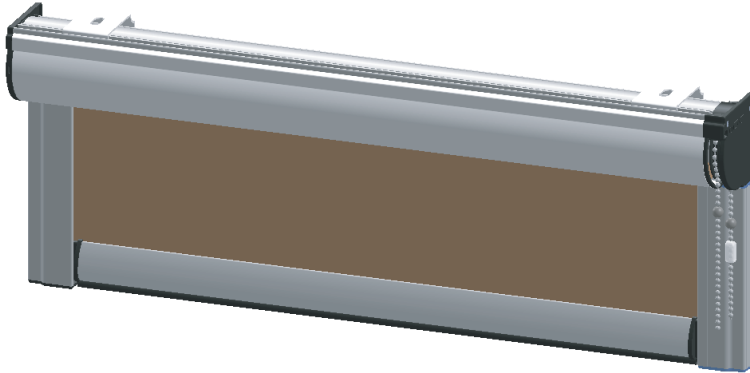
<b>TEKNO</b> <sup>®</sup> <b>TK-2</b>	
LITE-LIFT <sup>®</sup>	CHAIN OPERATED
<b>CASSETTE C-125</b>	
SHADE HOLDER: N/A	
GUIDE CABLES: <b>WITH GUIDE CABLES</b>	
CHANNELS: N/A	



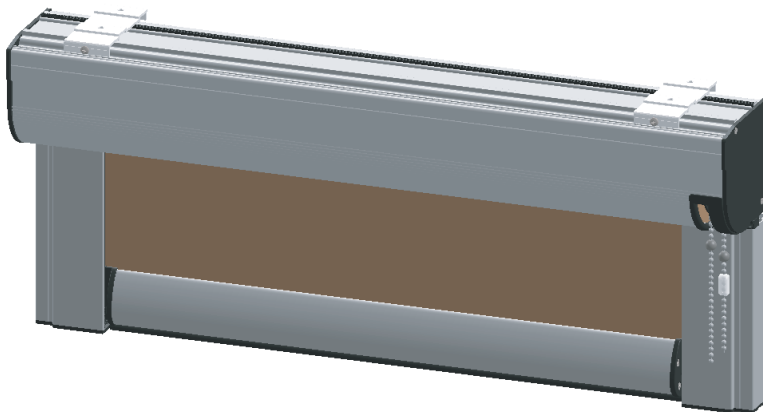
<b>TEKNO<sup>®</sup> TK-3</b>	
LITE-LIFT <sup>®</sup>	CHAIN OPERATED
<b>OPEN ROLL HP</b>	
SHADE HOLDER: N/A	
GUIDE CABLES: N/A	
CHANNELS: ST-3	



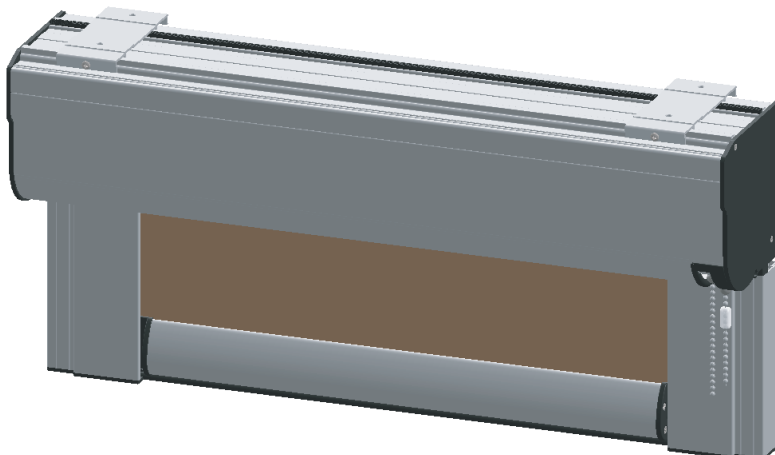
<b>TEKNO<sup>®</sup> TK-3</b>	
LITE-LIFT <sup>®</sup>	CHAIN OPERATED
<b>CASSETTE C-125</b>	
SHADE HOLDER: N/A	
GUIDE CABLES: N/A	
CHANNELS: ST-3	



**TEKNO**<sup>®</sup> **TK-4**  
LITE-LIFT<sup>®</sup> CHAIN OPERATED  
**CASSETTE C-70**  
SHADE HOLDER: N/A  
GUIDE CABLES: N/A  
CHANNELS: **T-440**



**TEKNO**<sup>®</sup> **TK-4**  
LITE-LIFT<sup>®</sup> CHAIN OPERATED  
**CASSETTE C-95**  
SHADE HOLDER: N/A  
GUIDE CABLES: N/A  
CHANNELS: **T-460**



**TEKNO**<sup>®</sup> **TK-4**  
LITE-LIFT<sup>®</sup> CHAIN OPERATED  
**CASSETTE C-125**  
SHADE HOLDER: N/A  
GUIDE CABLES: N/A  
CHANNELS: **T-480**



## **ELEKTRA ULTRA QUIET (UQM) 24VDC / 120VAC**

Motors are rated for quietness at 44 dBA making them a preferable choice. Fully integrated electronics inside the motor adds additional benefit to the trouble free operation of the shade. LOW VOLTAGE 24VDC motors are powered via transformer available in a plug-in or hardwired type, providing flexibility of wiring options.

120V motors are available with “3 PRONG PLUG” that can be connected directly to 120 power outlets or with “QUICK CONNECTOR” that allows pre-wiring of shades and allows for ease of installation while maintaining cost effectiveness of the project.

All motors come with variety of control options ranging between standalone traditional hardwired switches, RTS (Radio Control) or ILT with its built in INTELLIGENT MOTOR control options

## **ELEKTRA RTS 24VDC / 120VAC**

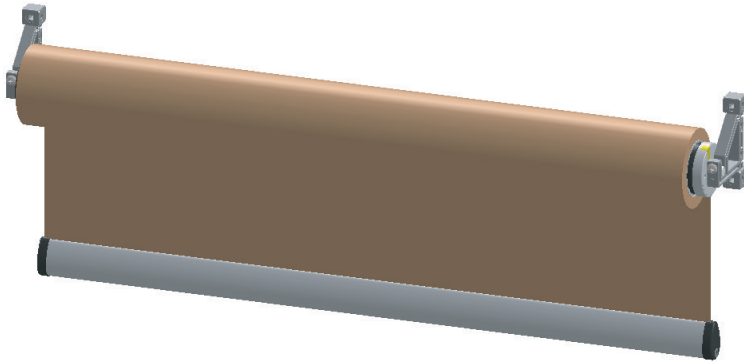
RTS radio technology allows motors to be controlled remotely via a comprehensive range of radio handheld remote controls, “Wire-Free” wall switches and timers. Home Automation integration and a broad variety of RTS interfaces are available. Effective progressive communication protocol used by the RTS motors, allows shade programming, grouping achievable with ease.

## **ELEKTRA ILT 24VDC / 120VAC**

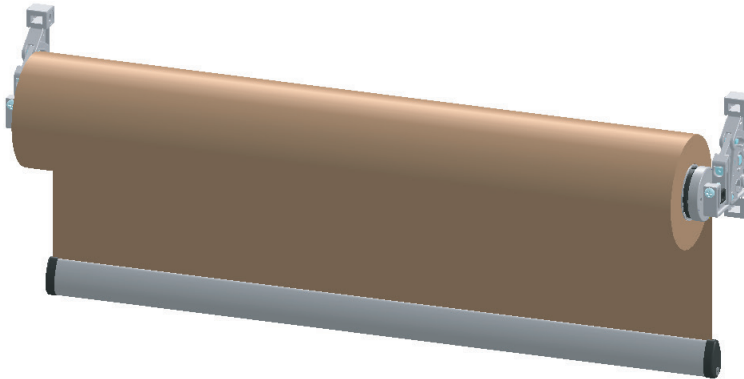
ILT INTELLIGENT motor offers the following functions:

Intelligent 2-way communication, Unique network address for selective control of individual motors, communication via industry standard RS-485 network, individual or group control with 16 customizable pre-set positions, simple to integrate with third party automation systems via dry contact, IR, RTS radio technology, RS-485 or Z-wave.

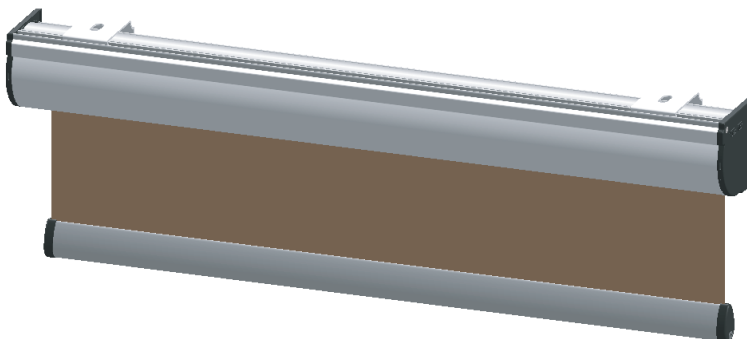
Easily add ILT motors and smart controls to meet changing application requirements.  
Near silent motors operation at 44 dBA.



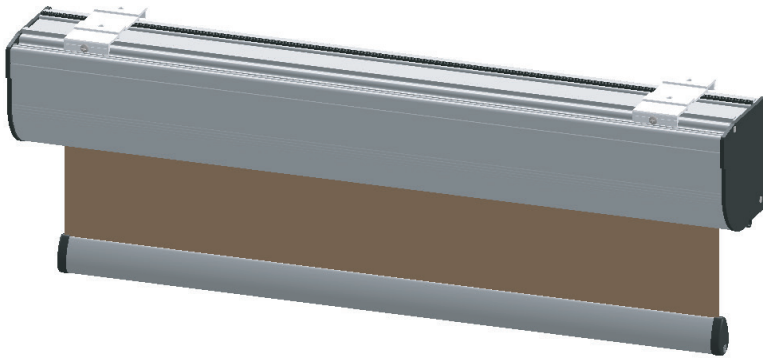
<b>TEKNO<sup>®</sup> TK-1</b>	
ELEKTRA	ULTRA QUIET MOTOR
<b>OPEN ROLL OR-TR</b>	
SHADE HOLDER: N/A	
GUIDE CABLES: N/A	
CHANNELS: N/A	
MOTOR TYPE:	<b>UQM 30 RTS - 24VDC</b>
	<b>UQM 30 ILT - 24VDC</b>



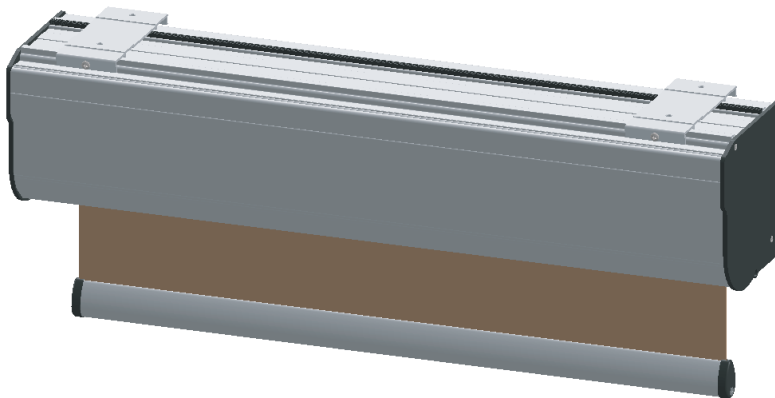
<b>TEKNO<sup>®</sup> TK-1</b>	
ELEKTRA	ULTRA QUIET MOTOR
<b>OPEN ROLL OR-HP</b>	
SHADE HOLDER: N/A	
GUIDE CABLES: N/A	
CHANNELS: N/A	
MOTOR TYPE:	<b>UQM 30 RTS - 24VDC</b>
	<b>UQM 30 ILT - 24VDC</b>



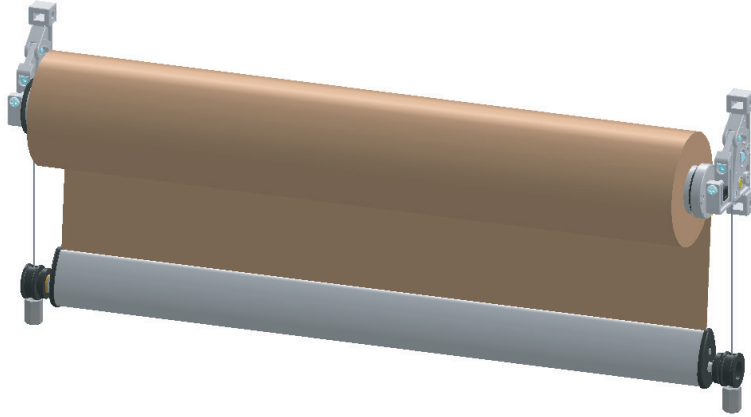
<b>TEKNO<sup>®</sup> TK-1</b>	
ELEKTRA	ULTRA QUIET MOTOR
<b>CASSETTE C-70</b>	
SHADE HOLDER: N/A	
GUIDE CABLES: N/A	
CHANNELS: N/A	
MOTOR TYPE:	<b>UQM 30 RTS - 24VDC</b>
	<b>UQM 30 ILT - 24VDC</b>



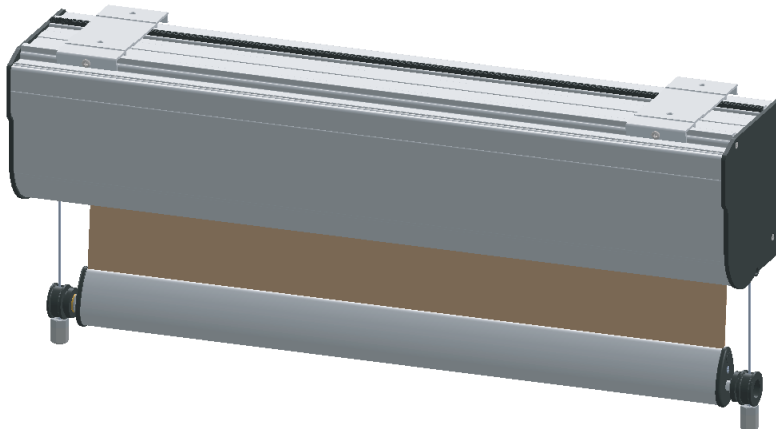
<b>TEKNO<sup>®</sup> TK-1</b>	
ELEKTRA	ULTRA QUIET MOTOR
<b>CASSETTE C-95</b>	
SHADE HOLDER: N/A	
GUIDE CABLES: N/A	
CHANNELS: N/A	
MOTOR TYPE:	<b>UQM 30 RTS - 24VDC</b>
	<b>UQM 30 ILT - 24VDC</b>



<b>TEKNO<sup>®</sup> TK-1</b>	
ELEKTRA	ULTRA QUIET MOTOR
<b>CASSETTE C-125</b>	
SHADE HOLDER: N/A	
GUIDE CABLES: N/A	
CHANNELS: N/A	
MOTOR TYPE:	<b>UQM 30 RTS - 24VDC</b>
	<b>UQM 30 ILT - 24VDC</b>



<b>TEKNO<sup>®</sup> TK-2</b>	
ELEKTRA	ULTRA QUIET MOTOR
<b>OPEN ROLL OR-HP</b>	
SHADE HOLDER: N/A	
GUIDE CABLES: <b>WITH GUIDE CABLES</b>	
CHANNELS: N/A	
MOTOR TYPE:	<b>UQM 30 RTS - 24VDC</b>
	<b>UQM 30 ILT - 24VDC</b>

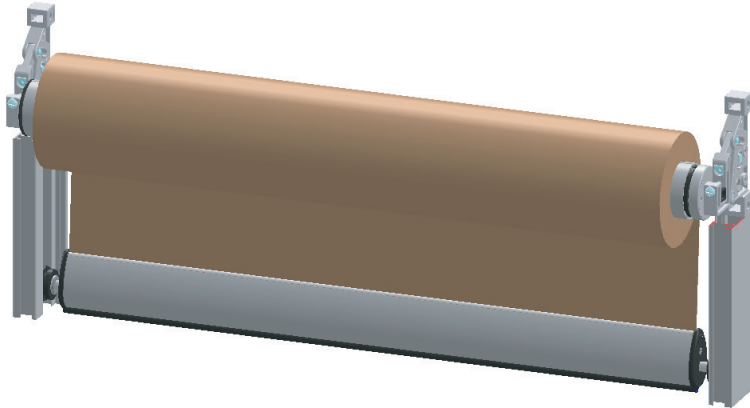


<b>TEKNO<sup>®</sup> TK-2</b>	
ELEKTRA	ULTRA QUIET MOTOR
<b>CASSETTE C-125</b>	
SHADE HOLDER: N/A	
GUIDE CABLES: <b>WITH GUIDE CABLES</b>	
CHANNELS: N/A	
MOTOR TYPE:	<b>UQM 30 RTS - 24VDC</b>
	<b>UQM 30 ILT - 24VDC</b>

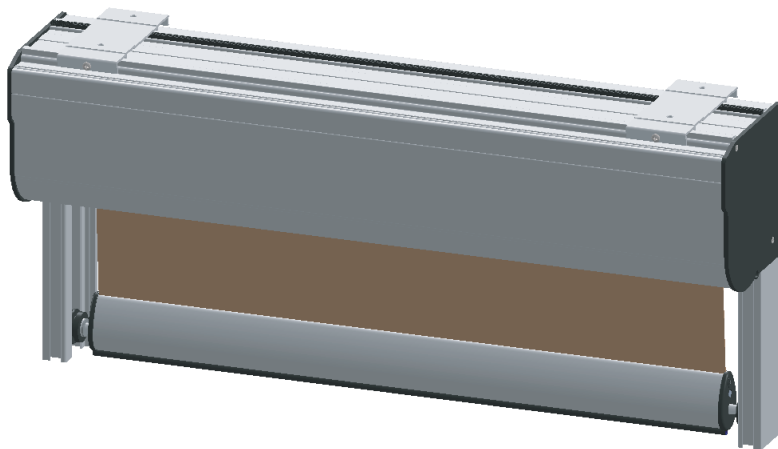


**ALTEX**<sup>®</sup>  
SunProject™  
line of products

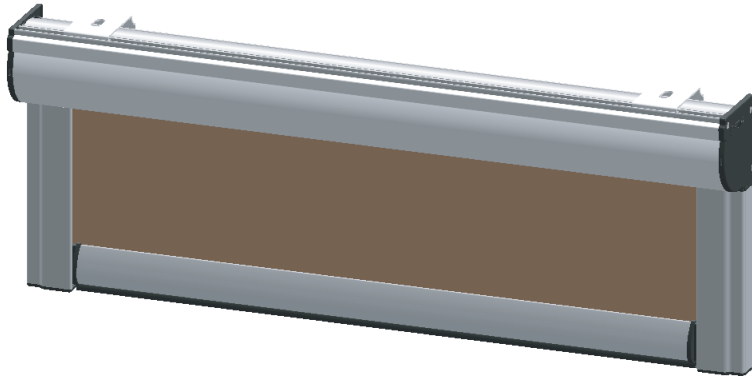
**TEKNO<sup>®</sup> ELEKTRA ULTRA QUIET-24VDC**  
**UQM 30 RTS / UQM 30 ILT MOTOR OPERATED ROLLER SYSTEMS**



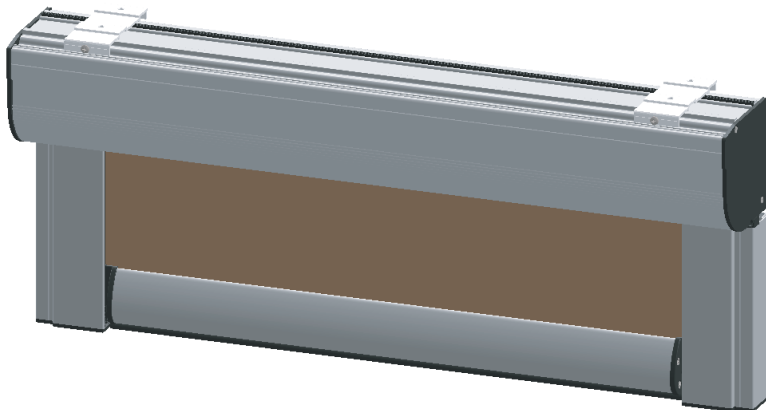
<b>TEKNO<sup>®</sup> TK-3</b>	
ELEKTRA	ULTRA QUIET MOTOR
<b>OPEN ROLL OR-HP</b>	
SHADE HOLDER: N/A	
GUIDE CABLES: N/A	
CHANNELS: <b>ST-3</b>	
MOTOR TYPE:	<b>UQM 30 RTS - 24VDC</b>
	<b>UQM 30 ILT - 24VDC</b>



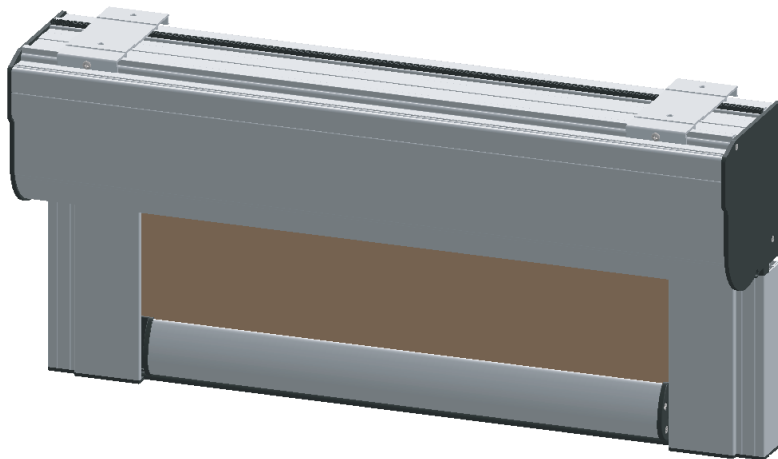
<b>TEKNO<sup>®</sup> TK-3</b>	
ELEKTRA	ULTRA QUIET MOTOR
<b>CASSETTE C-125</b>	
SHADE HOLDER: N/A	
GUIDE CABLES: N/A	
CHANNELS: <b>ST-3</b>	
MOTOR TYPE:	<b>UQM 30 RTS - 24VDC</b>
	<b>UQM 30 ILT - 24VDC</b>



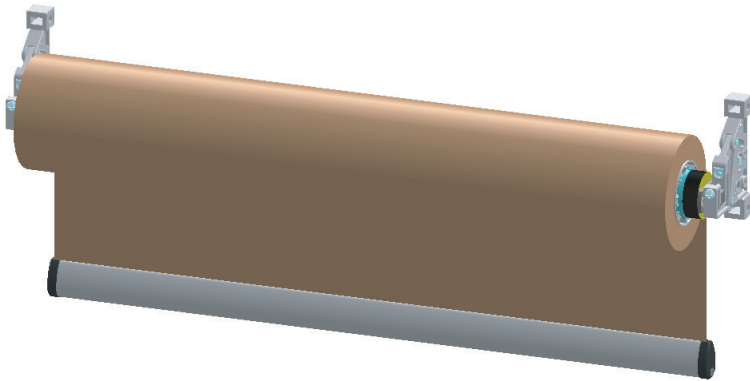
<b>TEKNO<sup>®</sup> TK-4</b>	
ELEKTRA	ULTRA QUIET MOTOR
<b>CASSETTE C-70</b>	
SHADE HOLDER: N/A	
GUIDE CABLES: N/A	
CHANNELS: T-440	
MOTOR TYPE:	<b>UQM 30 RTS - 24VDC</b>
	<b>UQM 30 ILT - 24VDC</b>



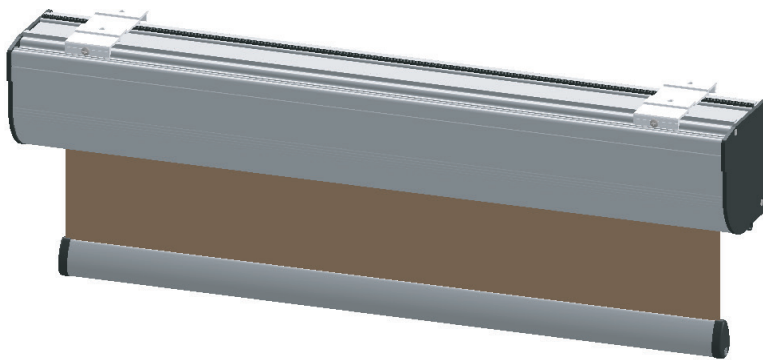
<b>TEKNO<sup>®</sup> TK-4</b>	
ELEKTRA	ULTRA QUIET MOTOR
<b>CASSETTE C-95</b>	
SHADE HOLDER: N/A	
GUIDE CABLES: N/A	
CHANNELS: T-460	
MOTOR TYPE:	<b>UQM 30 RTS - 24VDC</b>
	<b>UQM 30 ILT - 24VDC</b>



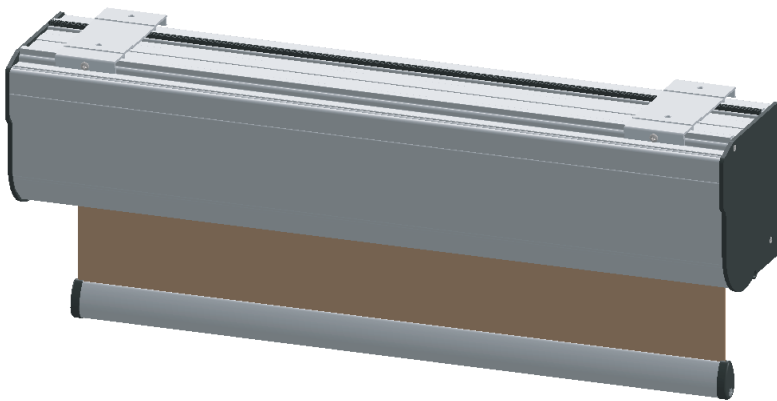
<b>TEKNO<sup>®</sup> TK-4</b>	
ELEKTRA	ULTRA QUIET MOTOR
<b>CASSETTE C-125</b>	
SHADE HOLDER: N/A	
GUIDE CABLES: N/A	
CHANNELS: T-480	
MOTOR TYPE:	<b>UQM 30 RTS - 24VDC</b>
	<b>UQM 30 ILT - 24VDC</b>



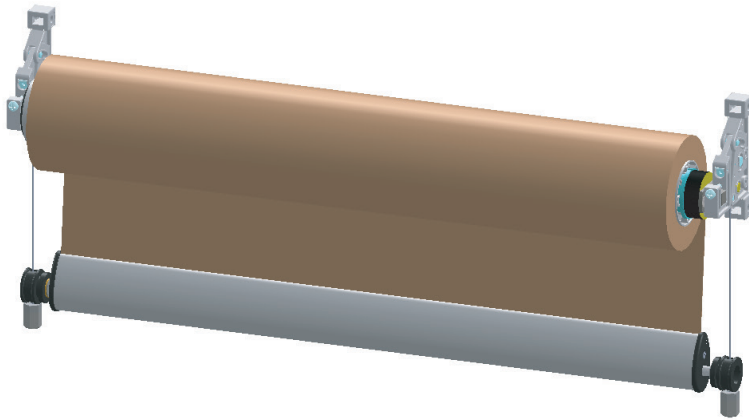
<b>TEKNO<sup>®</sup> TK-1</b>	
ELEKTRA	ULTRA QUIET MOTOR
<b>OPEN ROLL OR-HP</b>	
SHADE HOLDER: N/A	
GUIDE CABLES: N/A	
CHANNELS: N/A	
MOTOR TYPE:	<b>UQM 40 - 120VAC</b>
	<b>UQM 40 RTS - 120VAC</b>



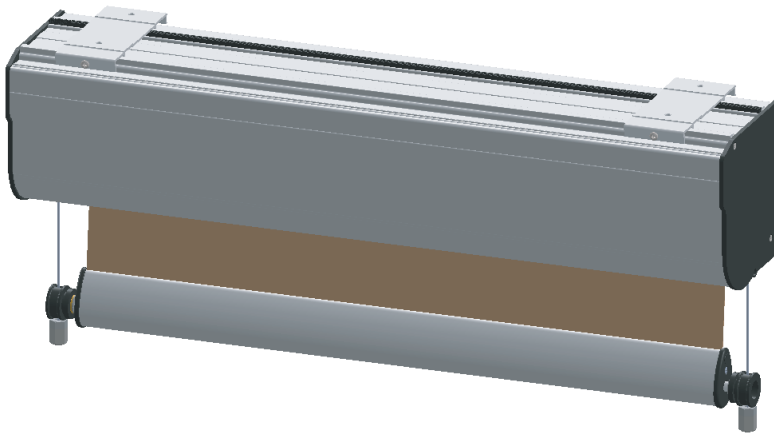
<b>TEKNO<sup>®</sup> TK-1</b>	
ELEKTRA	ULTRA QUIET MOTOR
<b>CASSETTE C-95</b>	
SHADE HOLDER: N/A	
GUIDE CABLES: N/A	
CHANNELS: N/A	
MOTOR TYPE:	<b>UQM 40 - 120VAC</b>
	<b>UQM 40 RTS - 120VAC</b>



<b>TEKNO<sup>®</sup> TK-1</b>	
ELEKTRA	ULTRA QUIET MOTOR
<b>CASSETTE C-125</b>	
SHADE HOLDER: N/A	
GUIDE CABLES: N/A	
CHANNELS: N/A	
MOTOR TYPE:	<b>UQM 40 - 120VAC</b>
	<b>UQM 40 RTS - 120VAC</b>

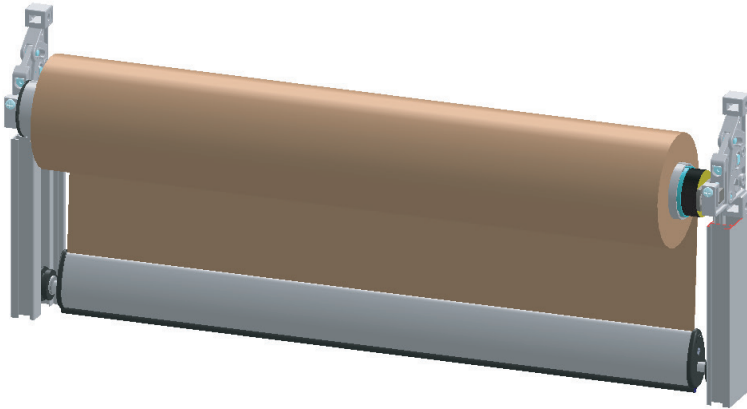


<b>TEKNO<sup>®</sup> TK-2</b>	
ELEKTRA	ULTRA QUIET MOTOR
<b>OPEN ROLL OR-HP</b>	
SHADE HOLDER: N/A	
GUIDE CABLES: <b>WITH GUIDE CABLES</b>	
CHANNELS: N/A	
MOTOR TYPE:	<b>UQM 40 - 120VAC</b>
	<b>UQM 40 RTS - 120VAC</b>



<b>TEKNO<sup>®</sup> TK-2</b>	
ELEKTRA	ULTRA QUIET MOTOR
<b>CASSETTE C-125</b>	
SHADE HOLDER: N/A	
GUIDE CABLES: <b>WITH GUIDE CABLES</b>	
CHANNELS: N/A	
MOTOR TYPE:	<b>UQM 40 - 120VAC</b>
	<b>UQM 40 RTS - 120VAC</b>





**TEKNO<sup>®</sup> TK-3**

**ELEKTRA** ULTRA QUIET MOTOR

**OPEN ROLL OR-HP**

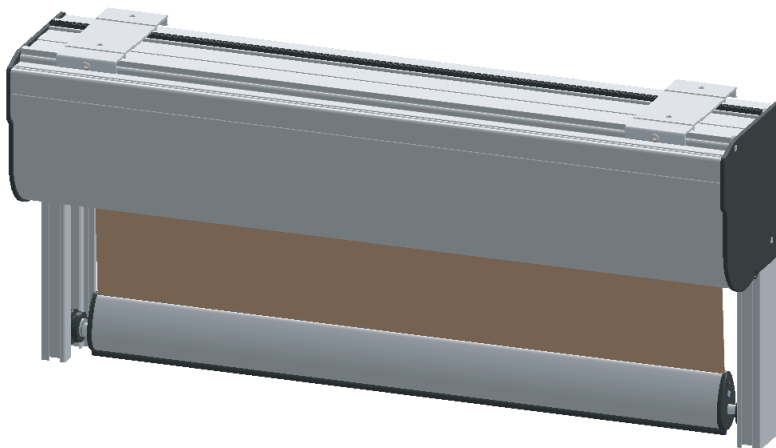
SHADE HOLDER: N/A

GUIDE CABLES: N/A

CHANNELS: **ST-3**

MOTOR TYPE: **UQM 40 - 120VAC**

**UQM 40 RTS - 120VAC**



**TEKNO<sup>®</sup> TK-3**

**ELEKTRA** ULTRA QUIET MOTOR

**CASSETTE C-125**

SHADE HOLDER: N/A

GUIDE CABLES: N/A

CHANNELS: **ST-3**

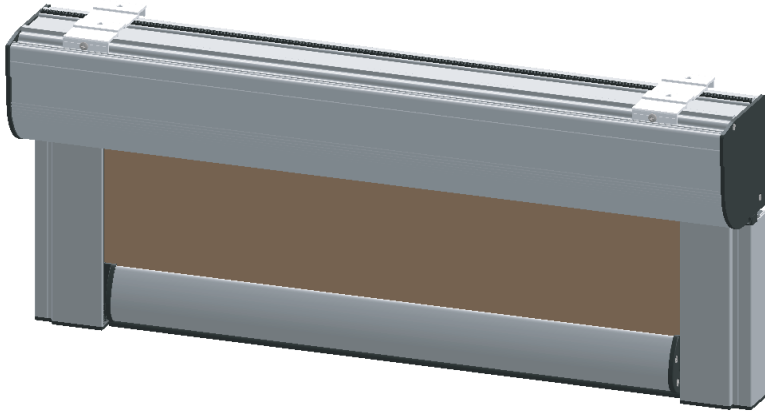
MOTOR TYPE: **UQM 40 - 120VAC**

**UQM 40 RTS - 120VAC**



**ALTEX**<sup>®</sup>  
SunProject™  
line of products

## TEKNO<sup>®</sup> ELEKTRA ULTRA QUIET-120VAC UQM 40 / UQM 40 RTS MOTOR OPERATED ROLLER SYSTEM



TEKNO<sup>®</sup> **TK-4**

ELEKTRA ULTRA QUIET MOTOR

**CASSETTE C-95**

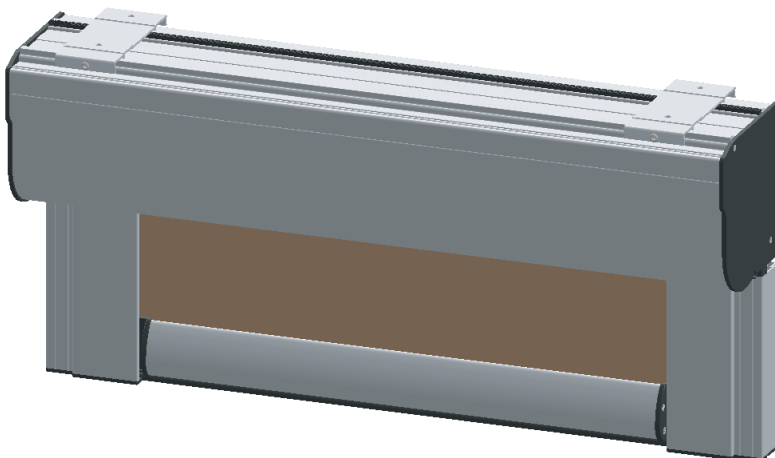
SHADE HOLDER: N/A

GUIDE CABLES: N/A

CHANNELS: **T-460**

MOTOR TYPE: **UQM 40 - 120VAC**

**UQM 40 RTS - 120VAC**



TEKNO<sup>®</sup> **TK-4**

ELEKTRA ULTRA QUIET MOTOR

**CASSETTE C-125**

SHADE HOLDER: N/A

GUIDE CABLES: N/A

CHANNELS: **T-480**

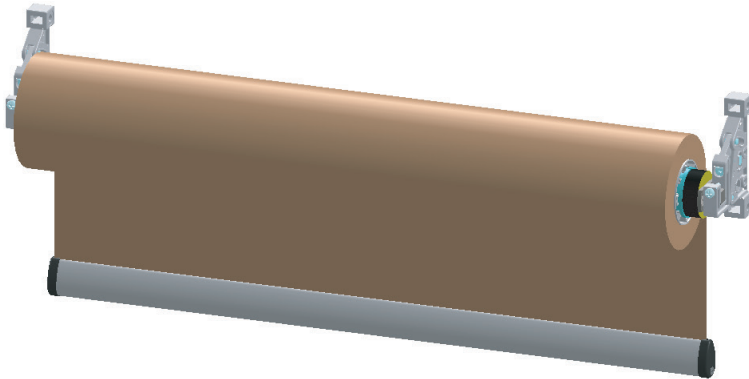
MOTOR TYPE: **UQM 40 - 120VAC**

**UQM 40 RTS - 120VAC**

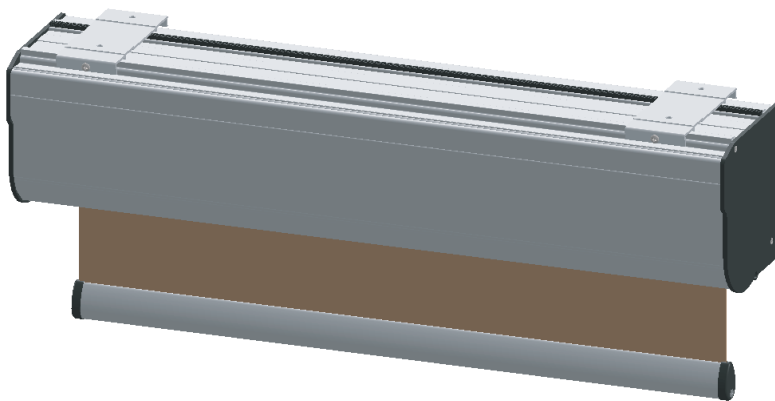


**ALTEX**<sup>®</sup>  
SunProject™  
line of products

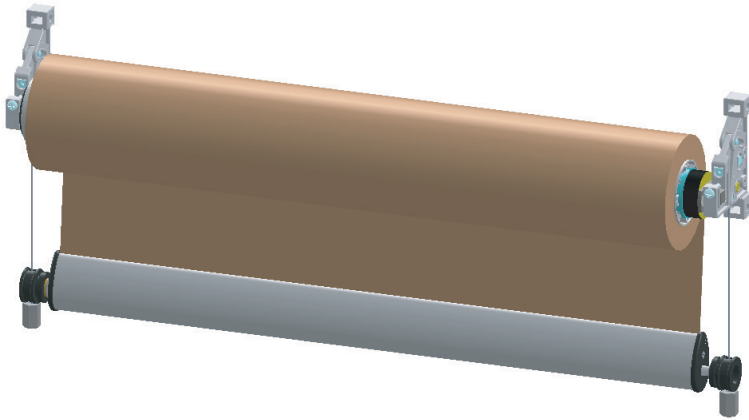
**TEKNO<sup>®</sup> ELEKTRA ULTRA QUIET-120VAC**  
**UQM 50/ UQM 50 RTS / UQM 50 ILT MOTOR OPERATED ROLLER SYSTEMS**



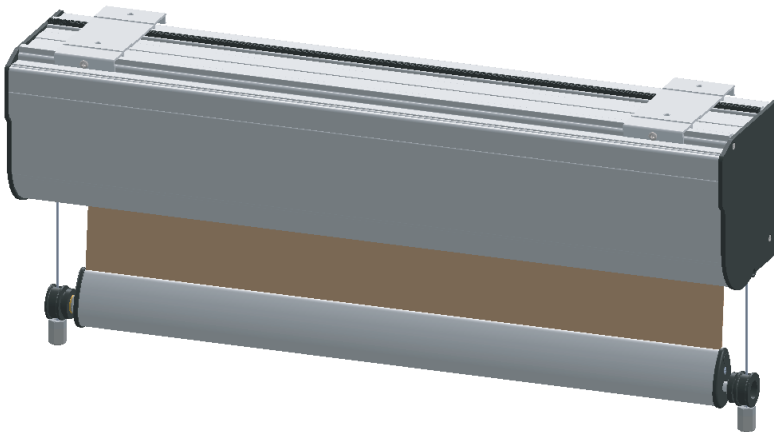
<b>TEKNO<sup>®</sup> TK-1</b>	
ELEKTRA	ULTRA QUIET MOTOR
<b>OPEN ROLL OR-HP</b>	
SHADE HOLDER: N/A	
GUIDE CABLES: N/A	
CHANNELS: N/A	
MOTOR TYPE:	<b>UQM 50 - 120VAC</b>
	<b>UQM 50 RTS - 120VAC</b>
	<b>UQM 50 ILT - 120VAC</b>



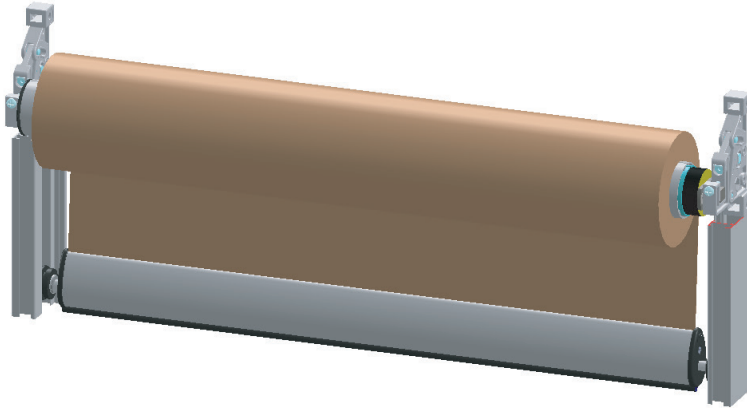
<b>TEKNO<sup>®</sup> TK-1</b>	
ELEKTRA	ULTRA QUIET MOTOR
<b>CASSETTE C-125</b>	
SHADE HOLDER: N/A	
GUIDE CABLES: N/A	
CHANNELS: N/A	
MOTOR TYPE:	<b>UQM 50 - 120VAC</b>
	<b>UQM 50 RTS - 120VAC</b>
	<b>UQM 50 ILT - 120VAC</b>



<b>TEKNO<sup>®</sup> TK-2</b>	
ELEKTRA	ULTRA QUIET MOTOR
<b>OPEN ROLL OR-HP</b>	
SHADE HOLDER: N/A	
GUIDE CABLES: <b>WITH GUIDE CABLES</b>	
CHANNELS: N/A	
MOTOR TYPE:	<b>UQM 50 - 120VAC</b>
	<b>UQM 50 RTS - 120VAC</b>
	<b>UQM 50 ILT - 120VAC</b>



<b>TEKNO<sup>®</sup> TK-2</b>	
ELEKTRA	ULTRA QUIET MOTOR
<b>CASSETTE C-125</b>	
SHADE HOLDER: N/A	
GUIDE CABLES: <b>WITH GUIDE CABLES</b>	
CHANNELS: N/A	
MOTOR TYPE:	<b>UQM 50 - 120VAC</b>
	<b>UQM 50 RTS - 120VAC</b>
	<b>UQM 50 ILT - 120VAC</b>



**TEKNO<sup>®</sup> TK-3**

ELEKTRA ULTRA QUIET MOTOR

**OPEN ROLL OR-HP**

SHADE HOLDER: N/A

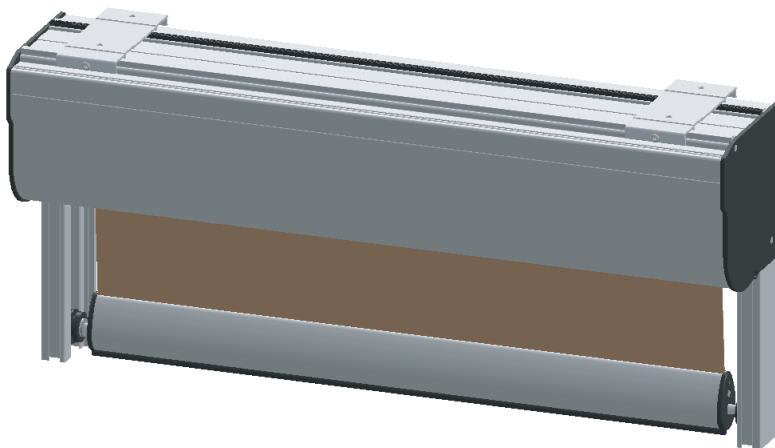
GUIDE CABLES: N/A

CHANNELS: **ST-3**

MOTOR TYPE: **UQM 50 - 120VAC**

**UQM 50 RTS - 120VAC**

**UQM 50 ILT - 120VAC**



**TEKNO<sup>®</sup> TK-3**

ELEKTRA ULTRA QUIET MOTOR

**CASSETTE C-125**

SHADE HOLDER: N/A

GUIDE CABLES: N/A

CHANNELS: **ST-3**

MOTOR TYPE: **UQM 50 - 120VAC**

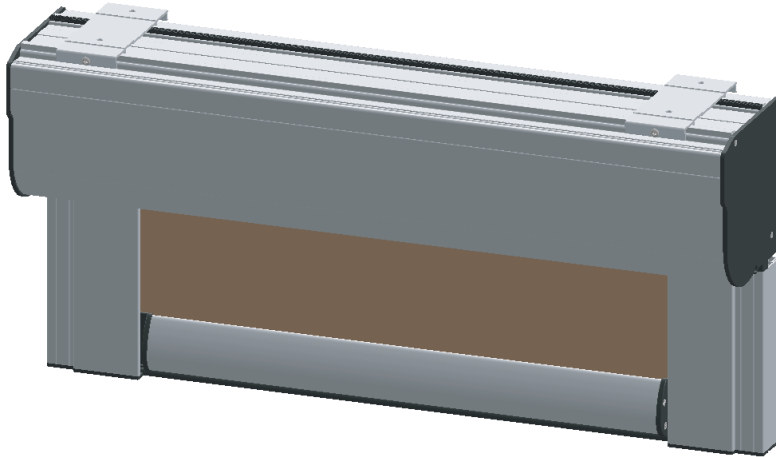
**UQM 50 RTS - 120VAC**

**UQM 50 ILT - 120VAC**



**ALTEX**<sup>®</sup>  
SunProject™  
line of products

## TEKNO<sup>®</sup> ELEKTRA ULTRA QUIET-120VAC UQM 50/ UQM 50 RTS / UQM 50 ILT MOTOR OPERATED ROLLER SYSTEMS



TEKNO<sup>®</sup> TK-4

ELEKTRA ULTRA QUIET MOTOR

**CASSETTE C-125**

SHADE HOLDER: N/A

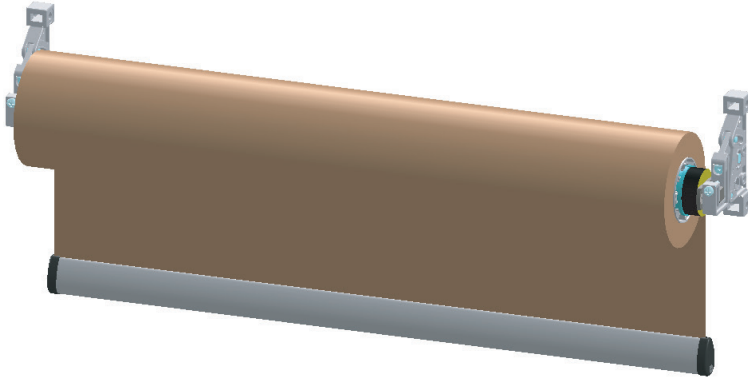
GUIDE CABLES: N/A

CHANNELS: T-480

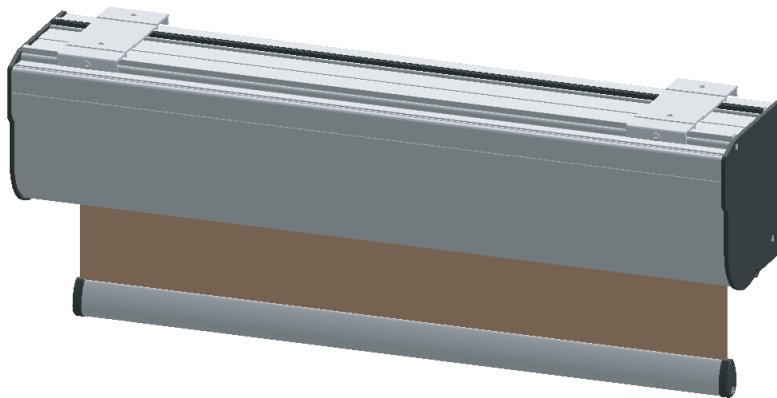
MOTOR TYPE: UQM 50 - 120VAC

UQM 50 RTS - 120VAC

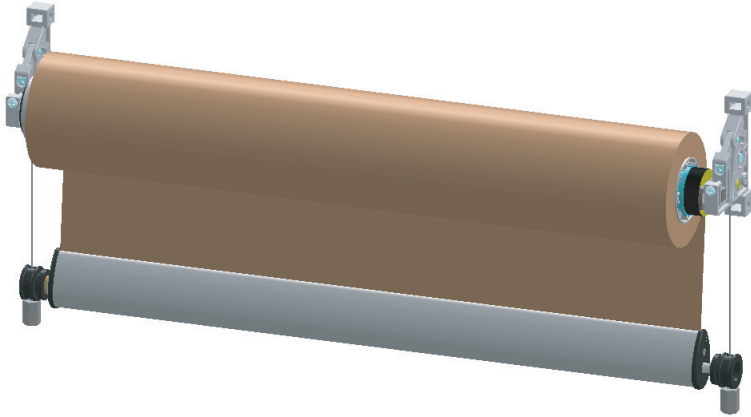
UQM 50 ILT - 120VAC



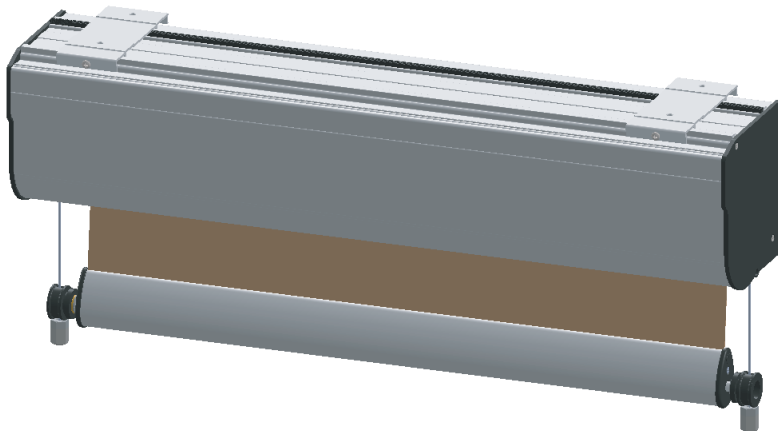
<b>TEKNO<sup>®</sup> TK-1</b>	
ELEKTRA	REGULAR MOTOR
<b>OPEN ROLL OR-HP</b>	
SHADE HOLDER: N/A	
GUIDE CABLES: N/A	
CHANNELS: N/A	
MOTOR TYPE:	<b>E-50 - 120VAC</b>
	<b>E-50 RTS - 120VAC</b>
	<b>E-50 ILT - 120VAC</b>



<b>TEKNO<sup>®</sup> TK-1</b>	
ELEKTRA	REGULAR MOTOR
<b>CASSETTE C-125</b>	
SHADE HOLDER: N/A	
GUIDE CABLES: N/A	
CHANNELS: N/A	
MOTOR TYPE:	<b>E-50 - 120VAC</b>
	<b>E-50 RTS - 120VAC</b>
	<b>E-50 ILT - 120VAC</b>

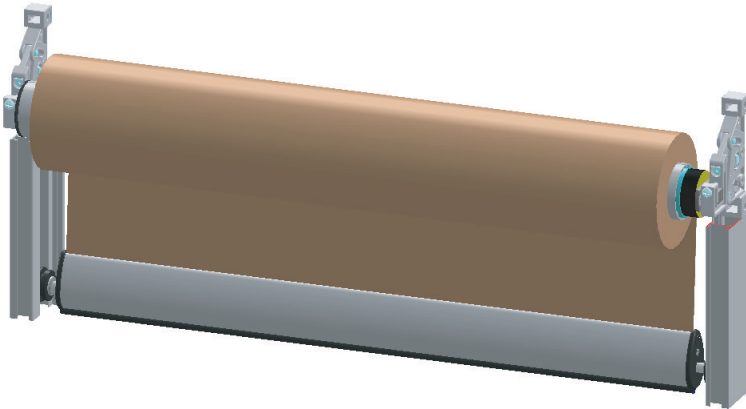


<b>TEKNO<sup>®</sup> TK-2</b>	
ELEKTRA	REGULAR MOTOR
<b>OPEN ROLL OR-HP</b>	
SHADE HOLDER: N/A	
GUIDE CABLES: <b>WITH GUIDE CABLES</b>	
CHANNELS: N/A	
MOTOR TYPE:	<b>E-50 - 120VAC</b>
	<b>E-50 RTS - 120VAC</b>
	<b>E-50 ILT - 120VAC</b>

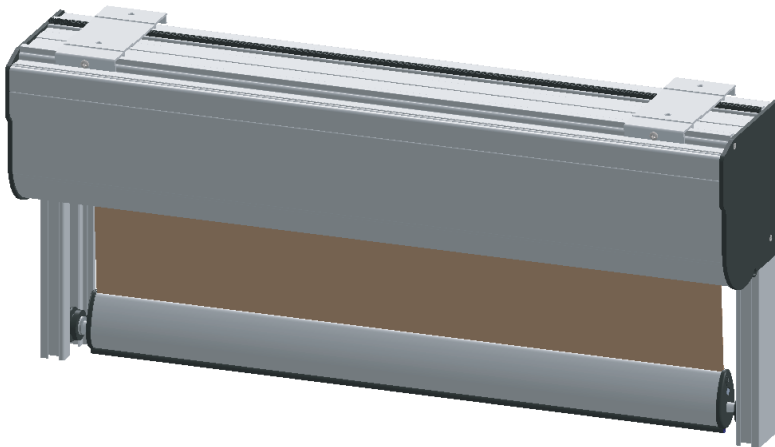


<b>TEKNO<sup>®</sup> TK-2</b>	
ELEKTRA	REGULAR MOTOR
<b>CASSETTE C-125</b>	
SHADE HOLDER: N/A	
GUIDE CABLES: <b>WITH GUIDE CABLES</b>	
CHANNELS: N/A	
MOTOR TYPE:	<b>E-50 - 120VAC</b>
	<b>E-50 RTS - 120VAC</b>
	<b>E-50 ILT - 120VAC</b>





<b>TEKNO</b> <sup>®</sup> TK-3	
ELEKTRA	REGULAR MOTOR
<b>OPEN ROLL OR-HP</b>	
SHADE HOLDER: N/A	
GUIDE CABLES: N/A	
CHANNELS: <b>ST-3</b>	
MOTOR TYPE:	<b>E-50 - 120VAC</b>
	<b>E-50 RTS - 120VAC</b>
	<b>E-50 ILT - 120VAC</b>

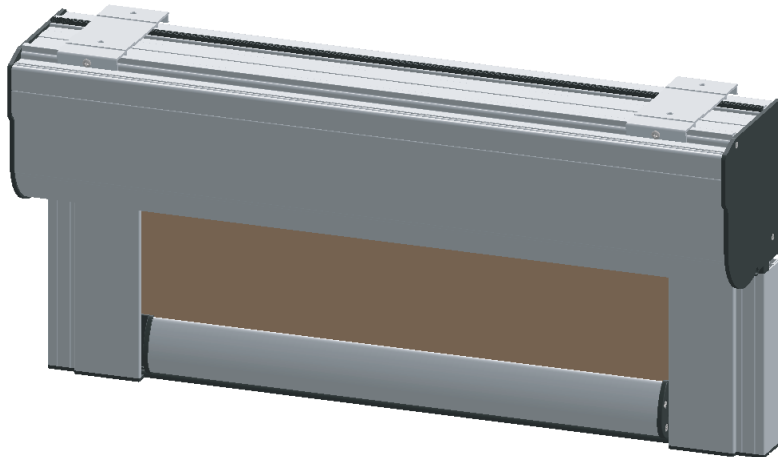


<b>TEKNO</b> <sup>®</sup> TK-3	
ELEKTRA	REGULAR MOTOR
<b>CASSETTE C-125</b>	
SHADE HOLDER: N/A	
GUIDE CABLES: N/A	
CHANNELS: <b>ST-3</b>	
MOTOR TYPE:	<b>E-50 - 120VAC</b>
	<b>E-50 RTS - 120VAC</b>
	<b>E-50 ILT - 120VAC</b>

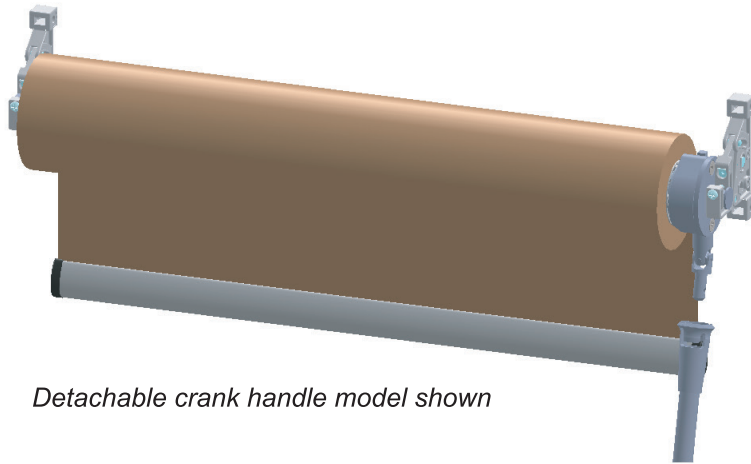


**ALTEX**<sup>®</sup>  
SunProject™  
line of products

## TEKNO<sup>®</sup> ELEKTRA -120VAC E-50 / E-50 RTS / E-50 ILT MOTOR OPERATED ROLLER SYSTEMS

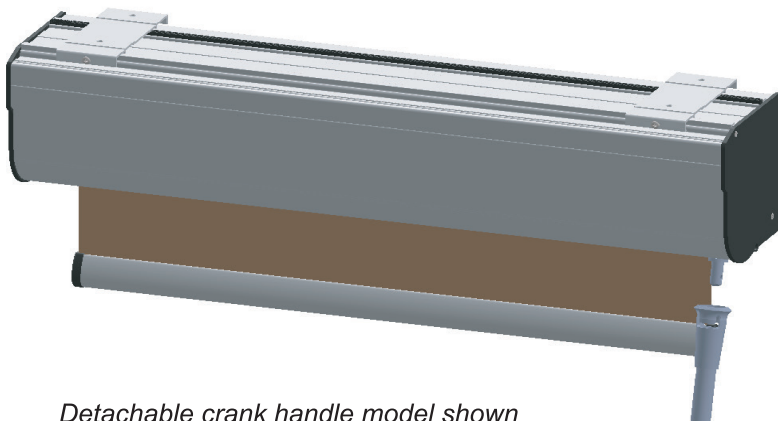


TEKNO <sup>®</sup> TK-4	
ELEKTRA	REGULAR MOTOR
<b>CASSETTE C-125</b>	
SHADE HOLDER: N/A	
GUIDE CABLES: N/A	
CHANNELS: T-480	
MOTOR TYPE:	E-50 - 120VAC
	E-50 RTS - 120VAC
	E-50 ILT - 120VAC



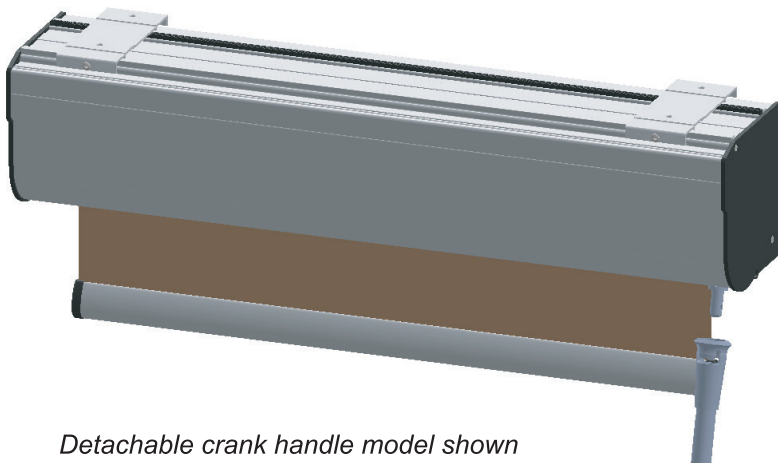
*Detachable crank handle model shown*

<b>TEKNO<sup>®</sup> TK-1</b>	
CRANK	CRANK MECHANISM
<b>OPEN ROLL OR-HP</b>	
SHADE HOLDER: N/A	
GUIDE CABLES: N/A	
CHANNELS: N/A	
OPTIONAL:	<b>DETACHABLE HANDLE</b>



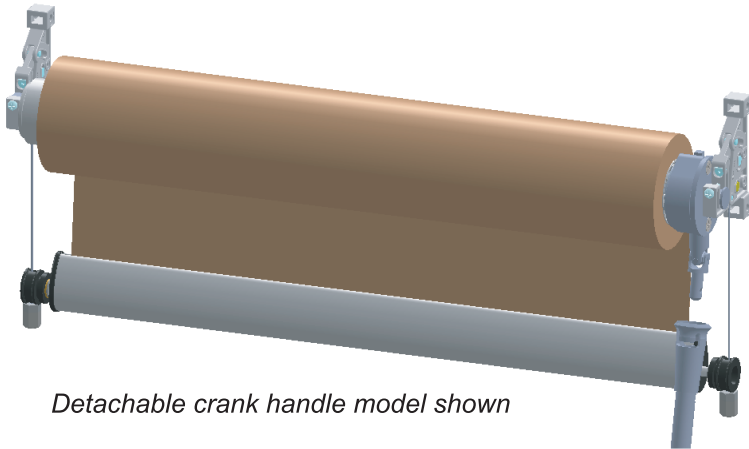
*Detachable crank handle model shown*

<b>TEKNO<sup>®</sup> TK-1</b>	
CRANK	CRANK MECHANISM
<b>CASSETTE C-95</b>	
SHADE HOLDER: N/A	
GUIDE CABLES: N/A	
CHANNELS: N/A	
OPTIONAL:	<b>DETACHABLE HANDLE</b>



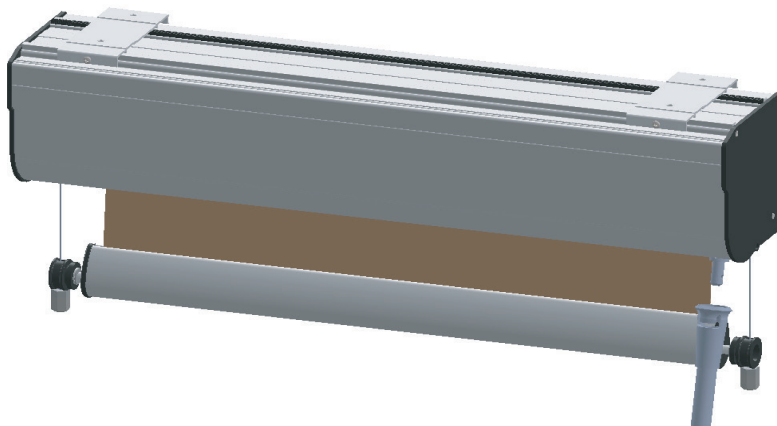
*Detachable crank handle model shown*

<b>TEKNO<sup>®</sup> TK-1</b>	
CRANK	CRANK MECHANISM
<b>CASSETTE C-125</b>	
SHADE HOLDER: N/A	
GUIDE CABLES: N/A	
CHANNELS: N/A	
OPTIONAL:	<b>DETACHABLE HANDLE</b>



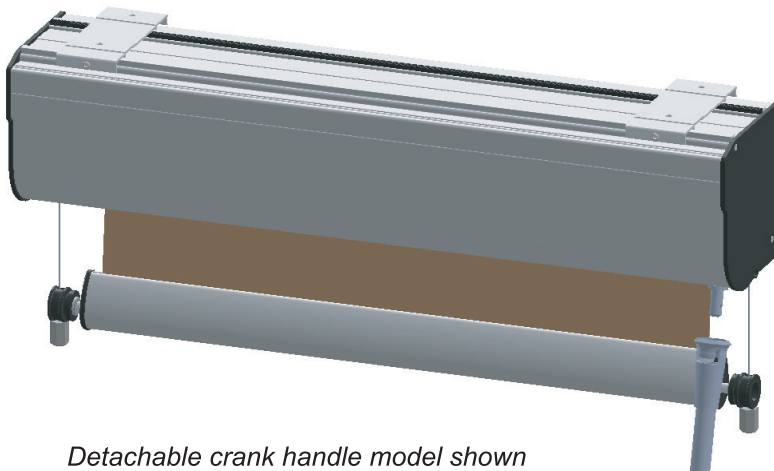
*Detachable crank handle model shown*

<b>TEKNO<sup>®</sup> TK-2</b>	
CRANK	CRANK MECHANISM
<b>OPEN ROLL OR-HP</b>	
SHADE HOLDER: N/A	
GUIDE CABLES: <b>WITH GUIDE CABLES</b>	
CHANNELS: N/A	
OPTIONAL:	<b>DETACHABLE HANDLE</b>



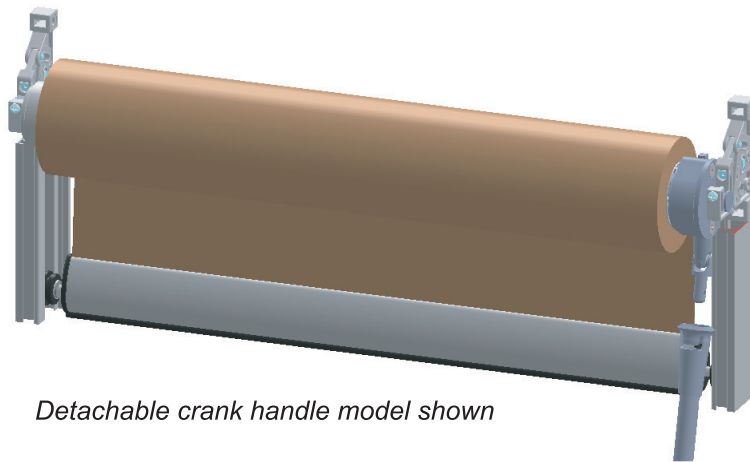
*Detachable crank handle model shown*

<b>TEKNO<sup>®</sup> TK-2</b>	
CRANK	CRANK MECHANISM
<b>CASSETTE C-95</b>	
SHADE HOLDER: N/A	
GUIDE CABLES: <b>WITH GUIDE CABLES</b>	
CHANNELS: N/A	
OPTIONAL:	<b>DETACHABLE HANDLE</b>



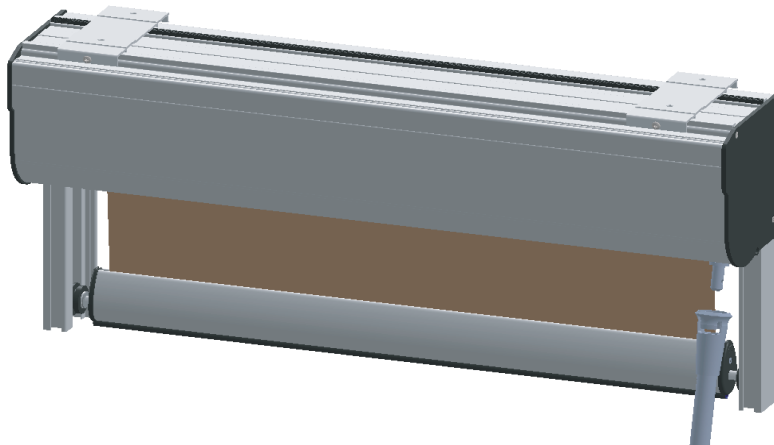
*Detachable crank handle model shown*

<b>TEKNO<sup>®</sup> TK-2</b>	
CRANK	CRANK MECHANISM
<b>CASSETTE C-125</b>	
SHADE HOLDER: N/A	
GUIDE CABLES: <b>WITH GUIDE CABLES</b>	
CHANNELS: N/A	
OPTIONAL:	<b>DETACHABLE HANDLE</b>



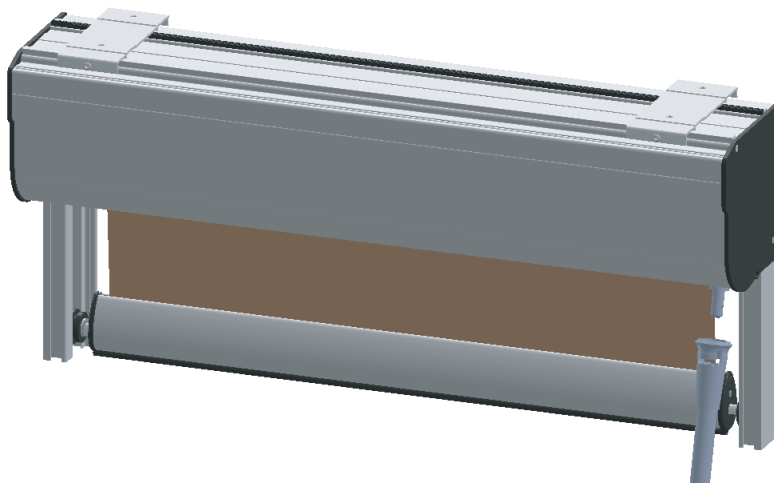
*Detachable crank handle model shown*

<b>TEKNO<sup>®</sup> TK-3</b>	
CRANK	CRANK MECHANISM
<b>OPEN ROLL OR-HP</b>	
SHADE HOLDER: N/A	
GUIDE CABLES: N/A	
CHANNELS: <b>ST-3</b>	
OPTIONAL:	<b>DETACHABLE HANDLE</b>



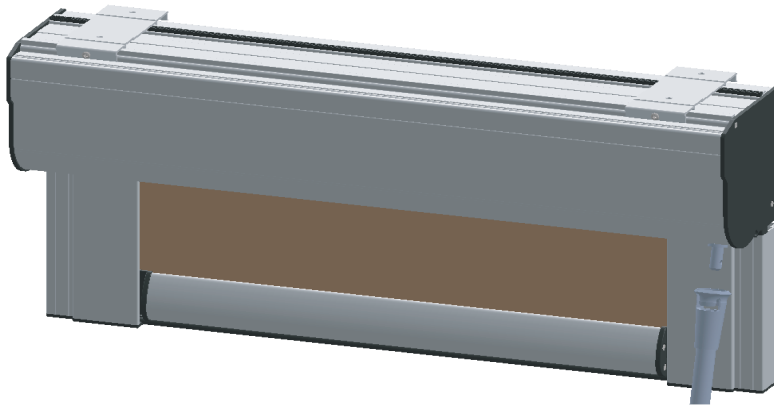
*Detachable crank handle model shown*

<b>TEKNO<sup>®</sup> TK-3</b>	
CRANK	CRANK MECHANISM
<b>CASSETTE C-95</b>	
SHADE HOLDER: N/A	
GUIDE CABLES: N/A	
CHANNELS: <b>ST-3</b>	
OPTIONAL:	<b>DETACHABLE HANDLE</b>



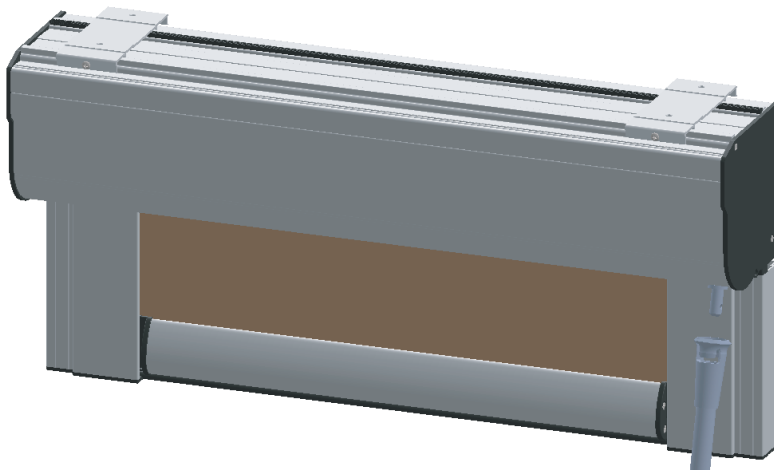
*Detachable crank handle model shown*

<b>TEKNO<sup>®</sup> TK-3</b>	
CRANK	CRANK MECHANISM
<b>CASSETTE C-125</b>	
SHADE HOLDER: N/A	
GUIDE CABLES: N/A	
CHANNELS: <b>ST-3</b>	
OPTIONAL:	<b>DETACHABLE HANDLE</b>



*Detachable crank handle model shown*

<b>TEKNO<sup>®</sup> TK-4</b>	
CRANK	CRANK MECHANISM
<b>CASSETTE C-95</b>	
SHADE HOLDER: N/A	
GUIDE CABLES: N/A	
CHANNELS: T-460	
OPTIONAL:	<b>DETACHABLE HANDLE</b>



*Detachable crank handle model shown*

<b>TEKNO<sup>®</sup> TK-4</b>	
CRANK	CRANK MECHANISM
<b>CASSETTE C-125</b>	
SHADE HOLDER: N/A	
GUIDE CABLES: N/A	
CHANNELS: T-480	
OPTIONAL:	<b>DETACHABLE HANDLE</b>



**ALTEX<sup>®</sup>**

---

SunProject<sup>™</sup>  
line of products

**MONTREAL**

3530, boul. des Entreprises

Terrebonne (Québec)

Canada J6X 4J8

Phone: 450-968-0880

Toll free: 800-363-5930

**TORONTO**

500 Applewood Crescent

Vaughan, Ontario

Canada L4K 4B4

Phone: 905-660-3117

Toll free: 888-836-6980

**VANCOUVER**

1160-21331 Gordon Way

Richmond, British Columbia

Canada V6W 1J9

Phone: 604-980-9899

Toll free: 888-980-9899







**ALTEX**<sup>®</sup>

SunProject<sup>™</sup>

line of products

## **ROLLER SHADING SYSTEMS**

**LITE-LIFT**<sup>®</sup>    **ELEKTRA**



## **TECHNICAL SECTION**



**TEKNO<sup>®</sup> TK-1**

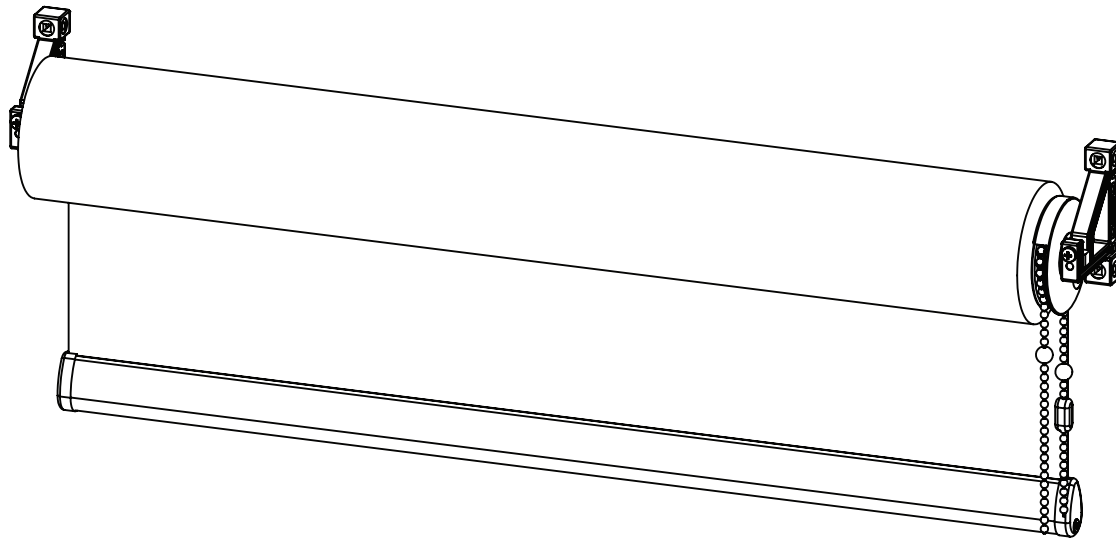
**LITE-LIFT<sup>®</sup> CHAIN OPERATED**

**OPEN ROLL OR-TR**

**SHADE HOLDER: N/A**

**GUIDE CABLES: N/A**

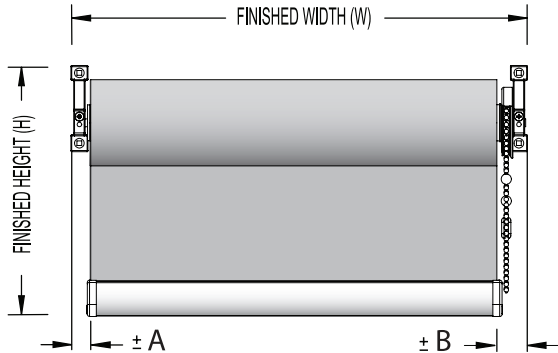
**CHANNELS: N/A**



**TK1-OR-TR-LL**

**OPEN ROLL WITH "TR" BRACKET**

**ELEVATION**

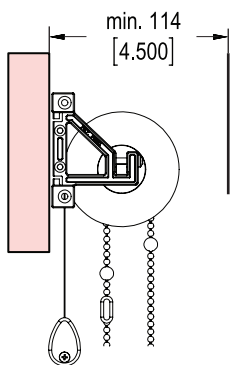
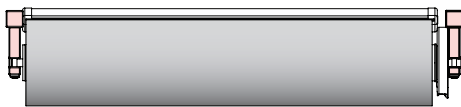


DIMENSIONS mm [inches]. TOLERANCES +/-1.5mm [0.0625"]

DIMENSION	FABRIC EDGE CLEARANCE [ ±mm / ±in] BY TUBE TYPE									
	32	38	46	53	63					
A	17	0.688	17	0.688	17	0.688	17	0.688	n/a	n/a
B	27	1.063	27	1.063	27	1.063	27	1.063	n/a	n/a

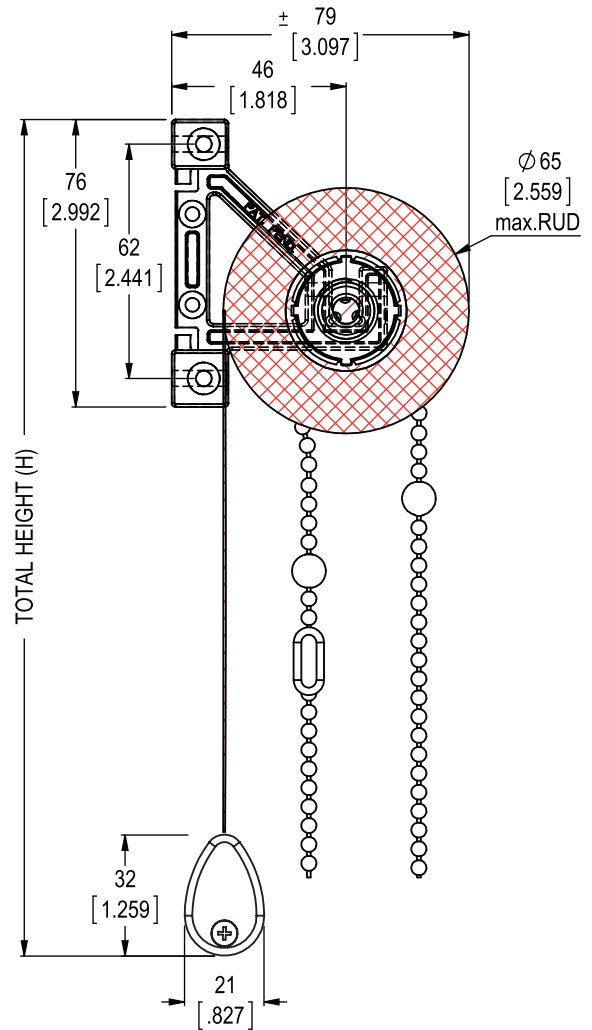
**MOUNTING**

TOP VIEW



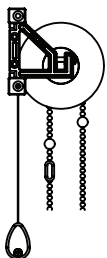
MINIMUM REQUIRED CLEARANCE

**SECTION**

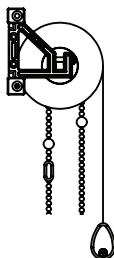


**MODEL** | **TK1-OR-TR-LL32**

**ROLL STYLE**



REGULAR ROLL



REVERSE ROLL

*NOTE: For size limitation guidelines, please refer to our Size Limitation Detail Sheets or contact our Technical Department.*

MONTREAL T: 800.363.5930 @: info@altex.ca	TORONTO T: 888.836.6980 @: sales@altex.ca	VANCOUVER T: 888.980.9899 @: servicewest@altex.ca
---	---	---

TEKNO<sup>®</sup> **TK-1**

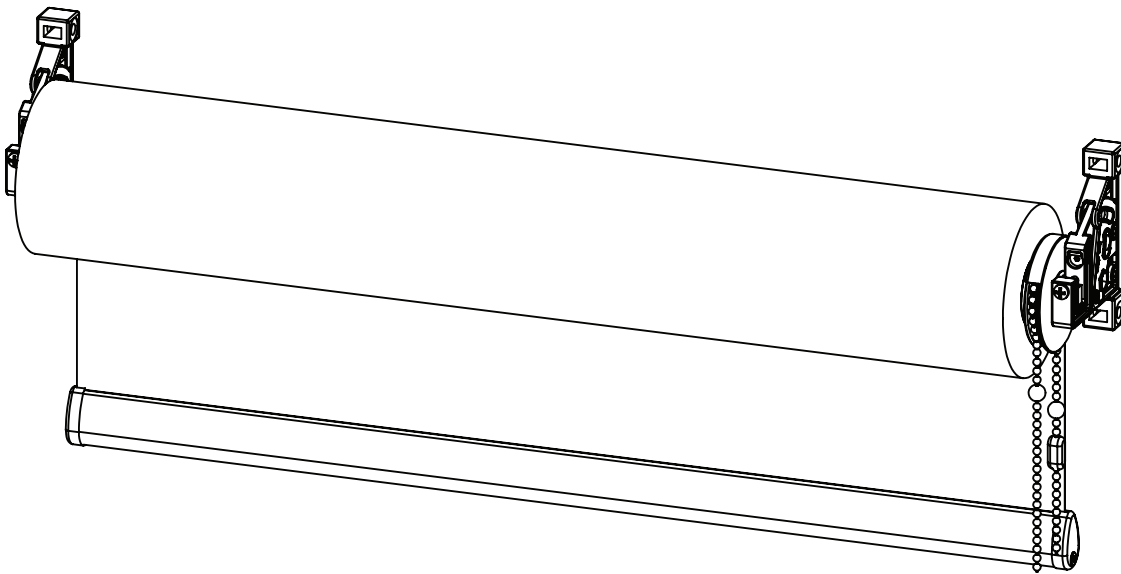
LITE-LIFT<sup>®</sup> CHAIN OPERATED

**OPEN ROLL OR-HP**

SHADE HOLDER: N/A

GUIDE CABLES: N/A

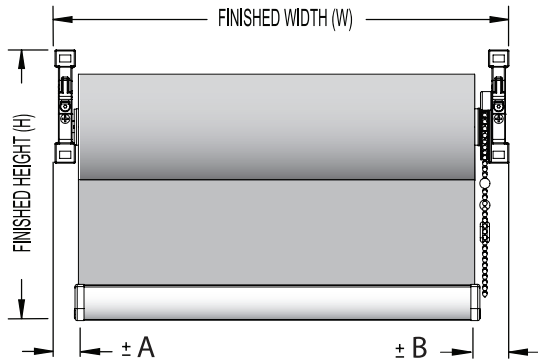
CHANNELS: N/A



**TK1-OR-HP-LL**

**OPEN ROLL WITH "HP" BRACKET**

**ELEVATION**

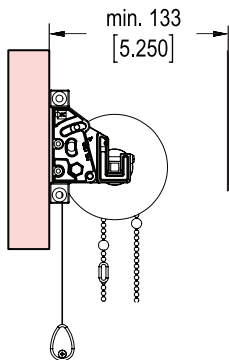


DIMENSIONS mm [inches]. TOLERANCES +/-1.5mm [0.0625"]

DIMENSION	FABRIC EDGE CLEARANCE [ ±mm / ±in ] BY TUBE TYPE									
	32		38		46		53		63	
A	21	0.813	21	0.813	21	0.813	21	0.813	n/a	n/a
B	30	1.188	30	1.188	30	1.188	30	1.188	n/a	n/a

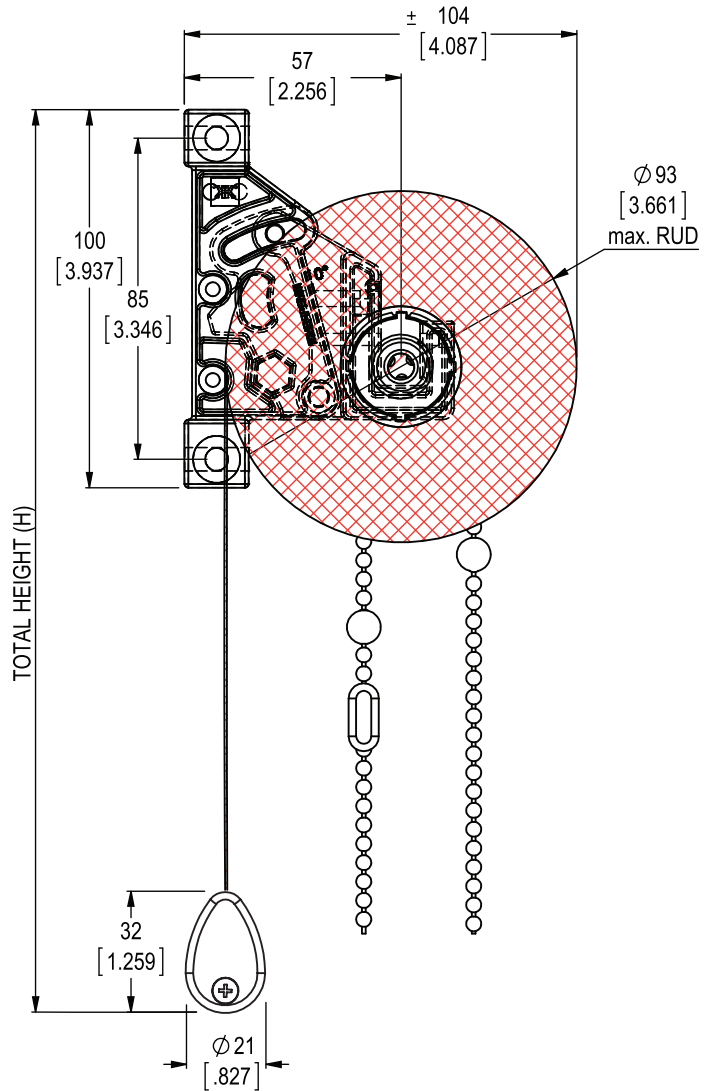
**MOUNTING**

TOP VIEW



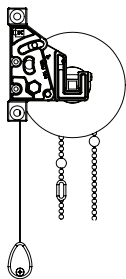
MINIMUM REQUIRED  
CLEARANCE

**SECTION**

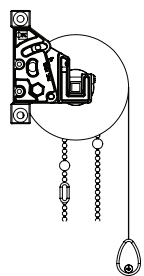


**MODEL**      **TK1-OR-HP-LL32**

**ROLL STYLE**



REGULAR ROLL



REVERSE ROLL

*NOTE: For size limitation guidelines, please refer to our  
Size Limitation Detail Sheets or contact our Technical Department.*

**MONTREAL**

T: 800.363.5930

@: info@altex.ca

**TORONTO**

T: 888.836.6980

@: sales@altex.ca

**VANCOUVER**

T: 888.980.9899

@: servicewest@altex.ca

**TEKNO<sup>®</sup> TK-1**

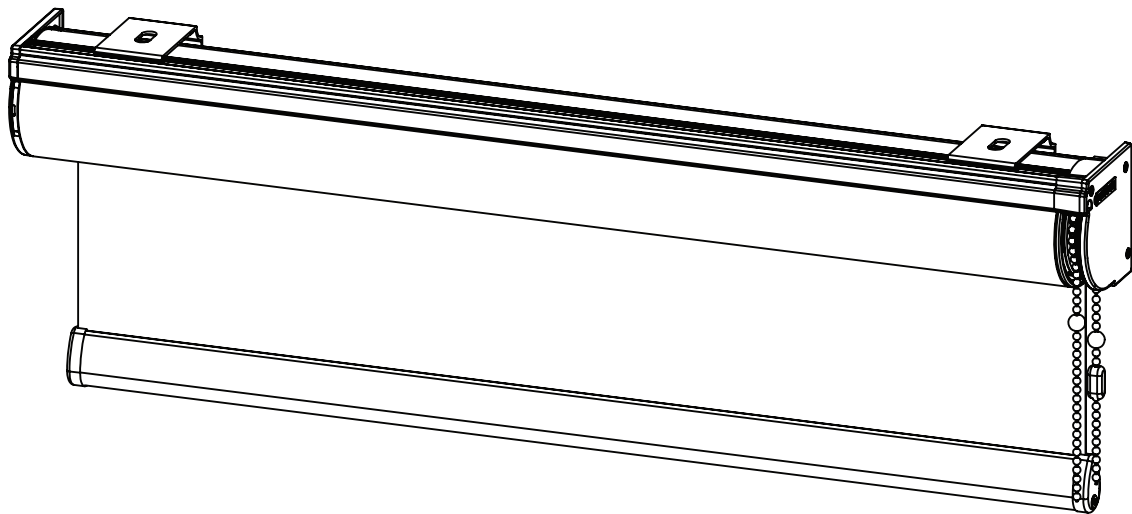
**LITE-LIFT<sup>®</sup> CHAIN OPERATED**

**CASSETTE C-70**

**SHADE HOLDER: N/A**

**GUIDE CABLES: N/A**

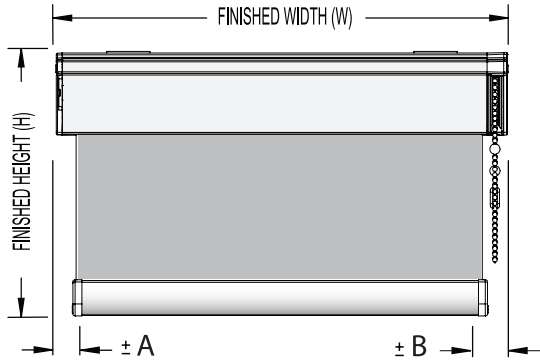
**CHANNELS: N/A**



**TK1-C70-LL**

**WITH CASSETTE C-70**

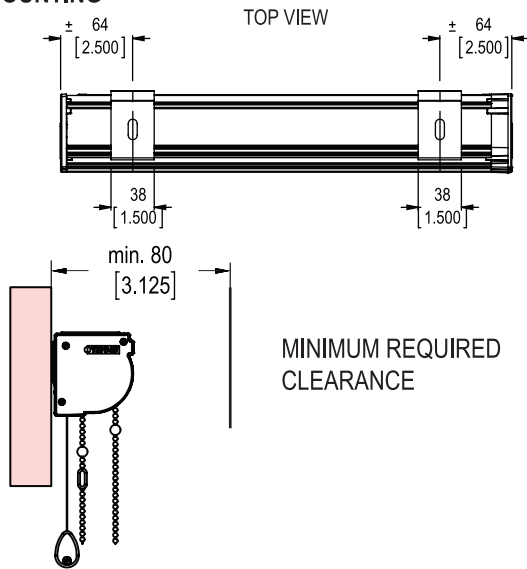
**ELEVATION**



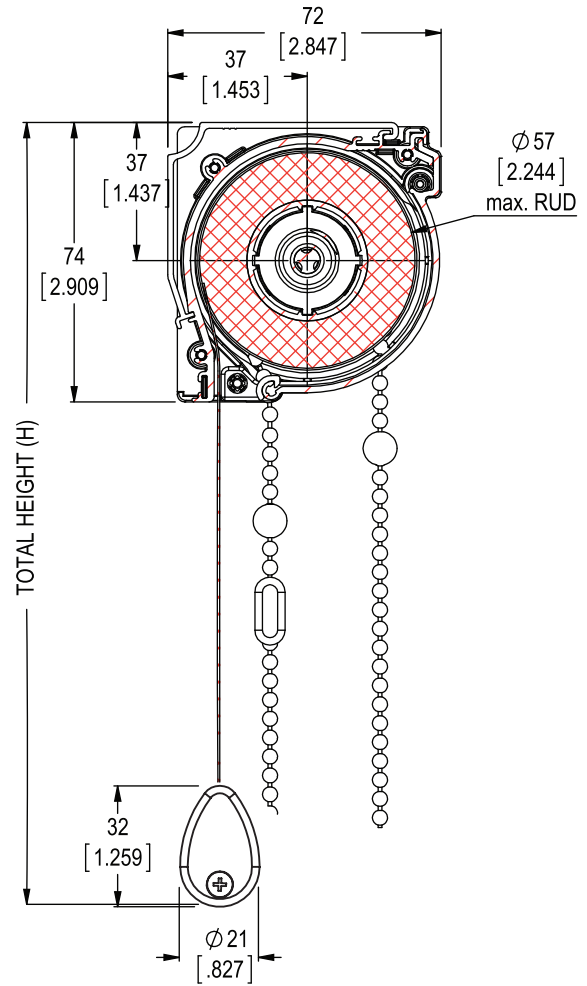
DIMENSIONS mm [inches]. TOLERANCES +/-1.5mm [0.0625"]

DIMENSION	FABRIC EDGE CLEARANCE [ ±mm / ±in] BY TUBE TYPE									
	32	38	46	53	63					
A	17	0.688	17	0.688	n/a	n/a	n/a	n/a	n/a	n/a
B	22	0.875	22	0.875	n/a	n/a	n/a	n/a	n/a	n/a

**MOUNTING**

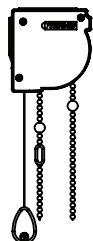


**SECTION**



**MODEL**    **TK1-C70-LL32**

**ROLL STYLE**



REGULAR ROLL

*NOTE: For size limitation guidelines, please refer to our Size Limitation Detail Sheets or contact our Technical Department.*

MONTREAL  
T: 800.363.5930  
@: info@altex.ca

TORONTO  
T: 888.836.6980  
@: sales@altex.ca

VANCOUVER  
T: 888.980.9899  
@: servicewest@altex.ca



TEKNO<sup>®</sup> TK-1

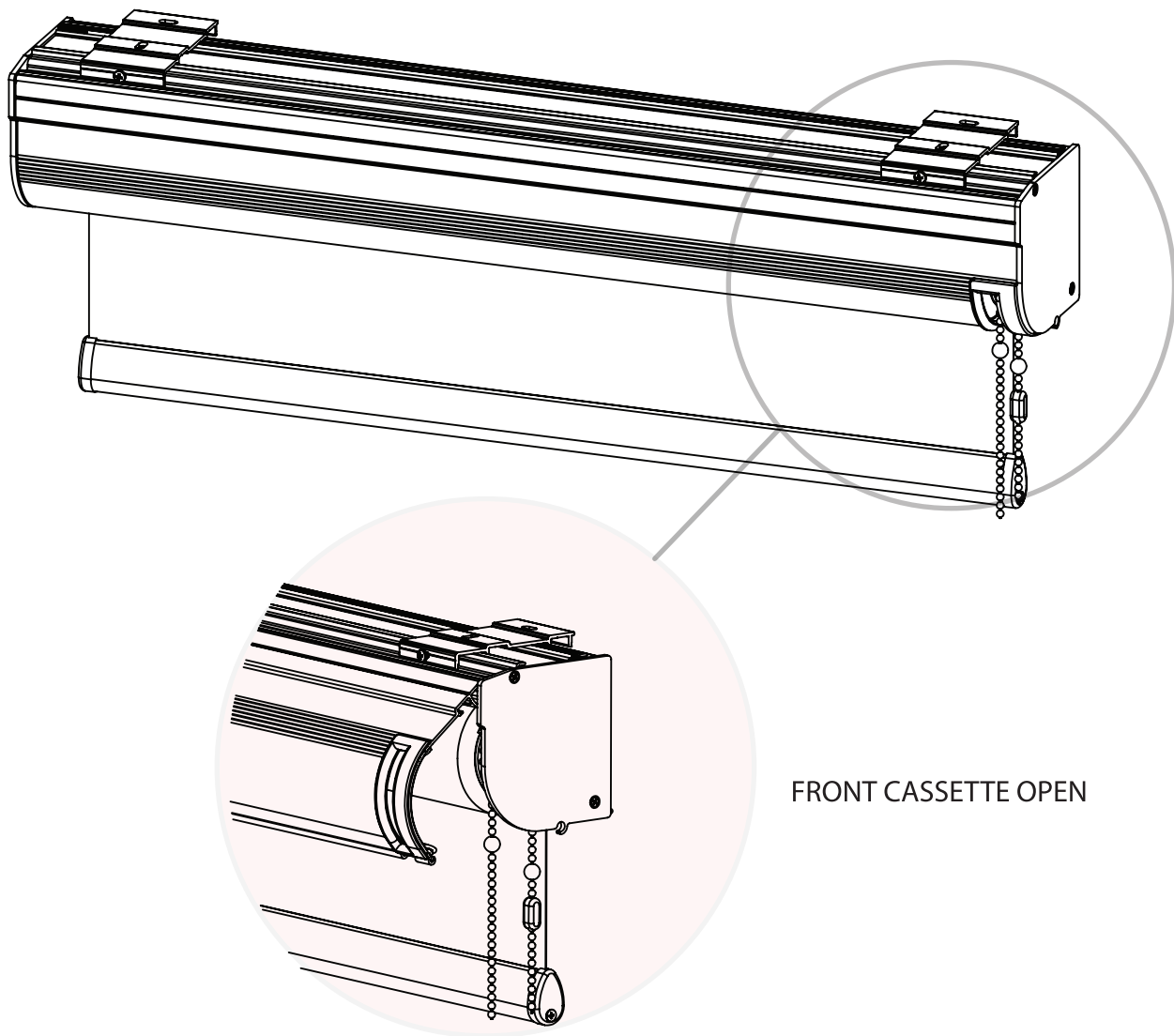
LITE-LIFT<sup>®</sup> CHAIN OPERATED

CASSETTE C-95

SHADE HOLDER: N/A

GUIDE CABLES: N/A

CHANNELS: N/A

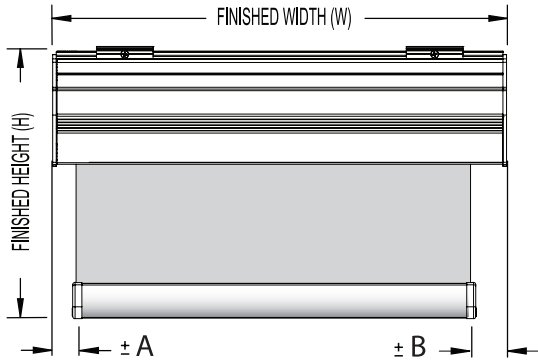


FRONT CASSETTE OPEN

**TK1-C95-LL**

**WITH CASSETTE C-95**

**ELEVATION**

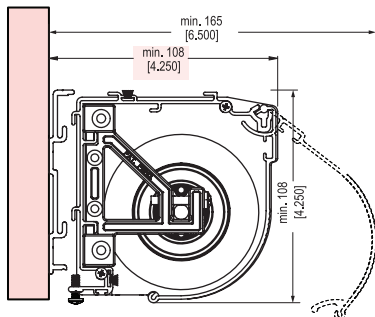
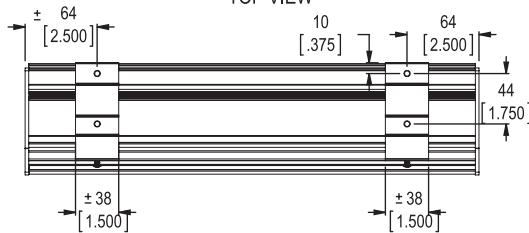


DIMENSIONS mm [inches]. TOLERANCES +/-1.5mm [0.0625"]

DIMENSION	FABRIC EDGE CLEARANCE [ ±mm / ±in ] BY TUBE TYPE									
	32		38		46		53		63	
A	22	0.875	22	0.875	22	0.875	22	0.875	n/a	n/a
B	32	1.250	32	1.250	32	1.250	32	1.250	n/a	n/a

**MOUNTING**

TOP VIEW



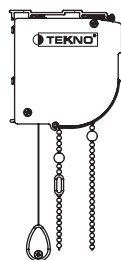
MINIMUM REQUIRED CLEARANCE FOR MOUNTING

SAME FOR WALL OR CEILING

CASSETTE OPEN

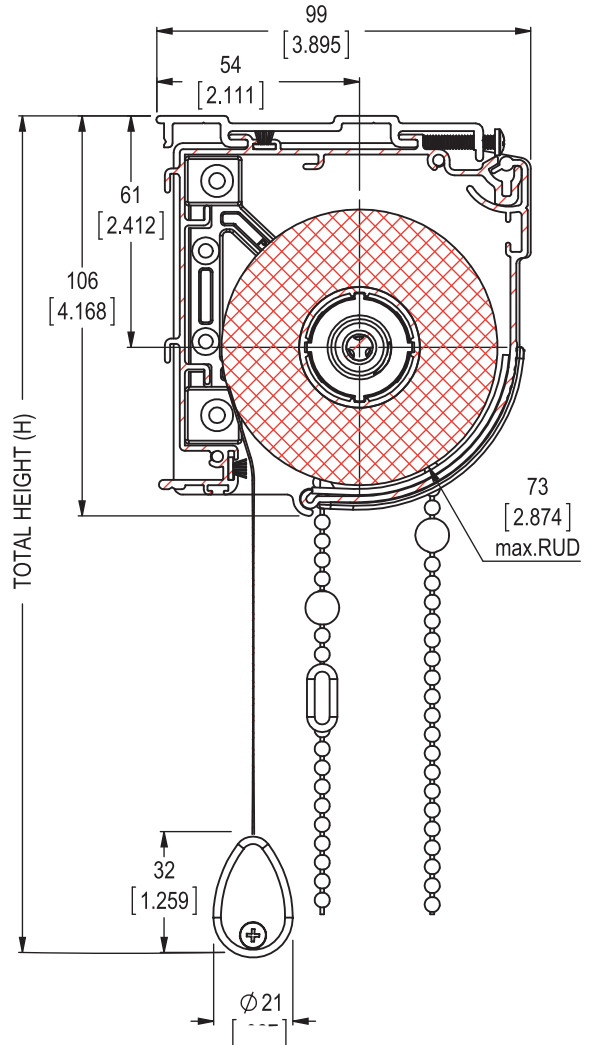
Wall mount shown

**ROLL STYLE**



REGULAR ROLL

**SECTION**



**MODEL**      **TK1-C95-LL32**

NOTE: For size limitation guidelines, please refer to our Size Limitation Detail Sheets or contact our Technical Department.

MONTREAL

T: 800.363.5930

@: info@altex.ca

TORONTO

T: 888.836.6980

@: sales@altex.ca

VANCOUVER

T: 888.980.9899

@: servicewest@altex.ca

TEKNO<sup>®</sup> TK-1

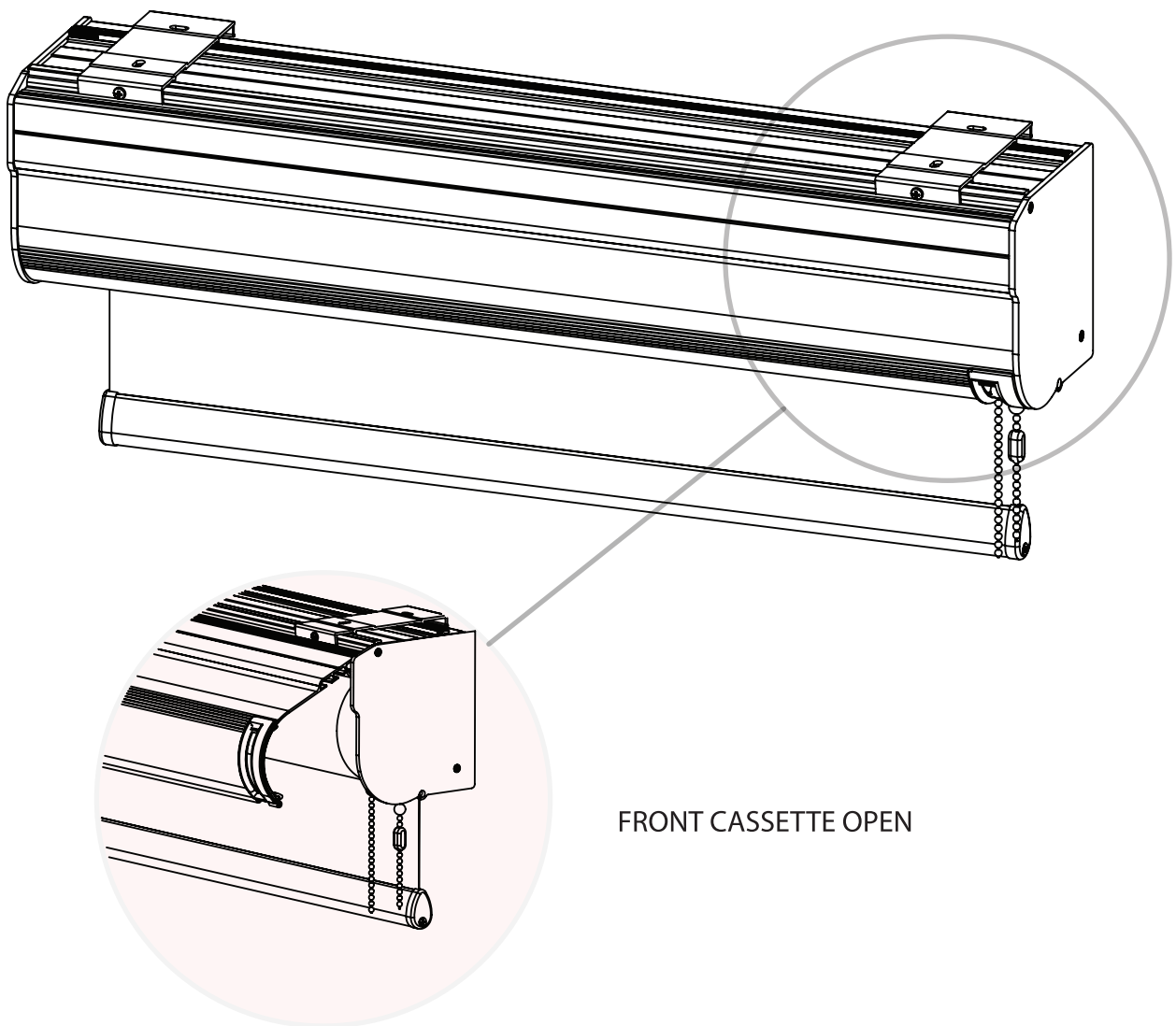
LITE-LIFT<sup>®</sup> CHAIN OPERATED

CASSETTE C-125

SHADE HOLDER: N/A

GUIDE CABLES: N/A

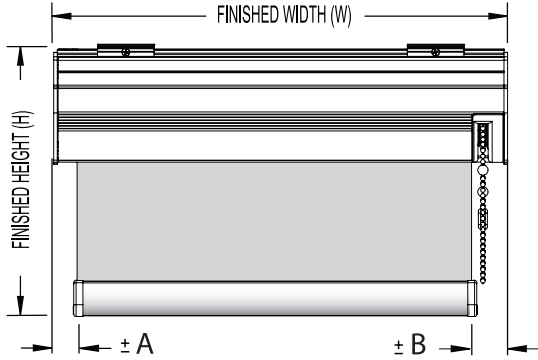
CHANNELS: N/A



**TK1-C125-LL**

**WITH CASSETTE C-125**

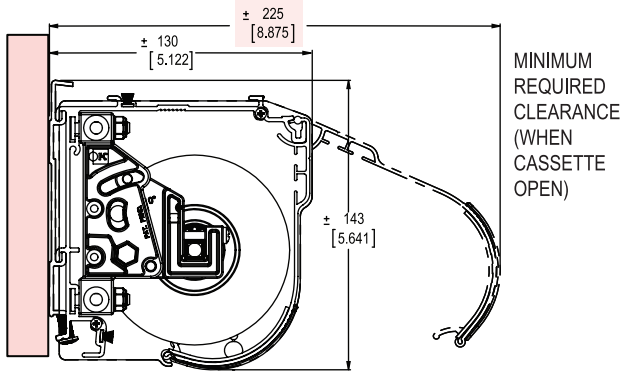
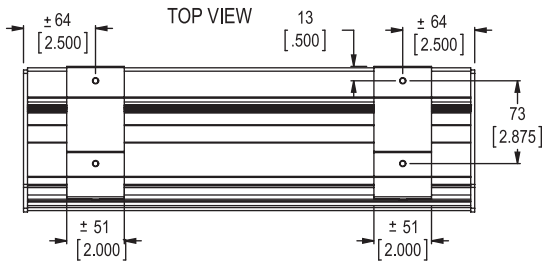
**ELEVATION**



DIMENSIONS mm [inches]. TOLERANCES +/-1.5mm [0.0625"]

DIMENSION	FABRIC EDGE CLEARANCE [ ±mm / ±in ] BY TUBE TYPE									
	32		38		46		53		63	
A	25	1.000	25	1.000	25	1.000	25	1.000	n/a	n/a
B	35	1.375	35	1.375	35	1.375	35	1.375	n/a	n/a

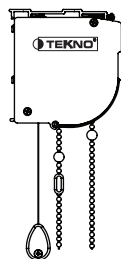
**MOUNTING**



MINIMUM  
REQUIRED  
CLEARANCE  
(WHEN  
CASSETTE  
OPEN)

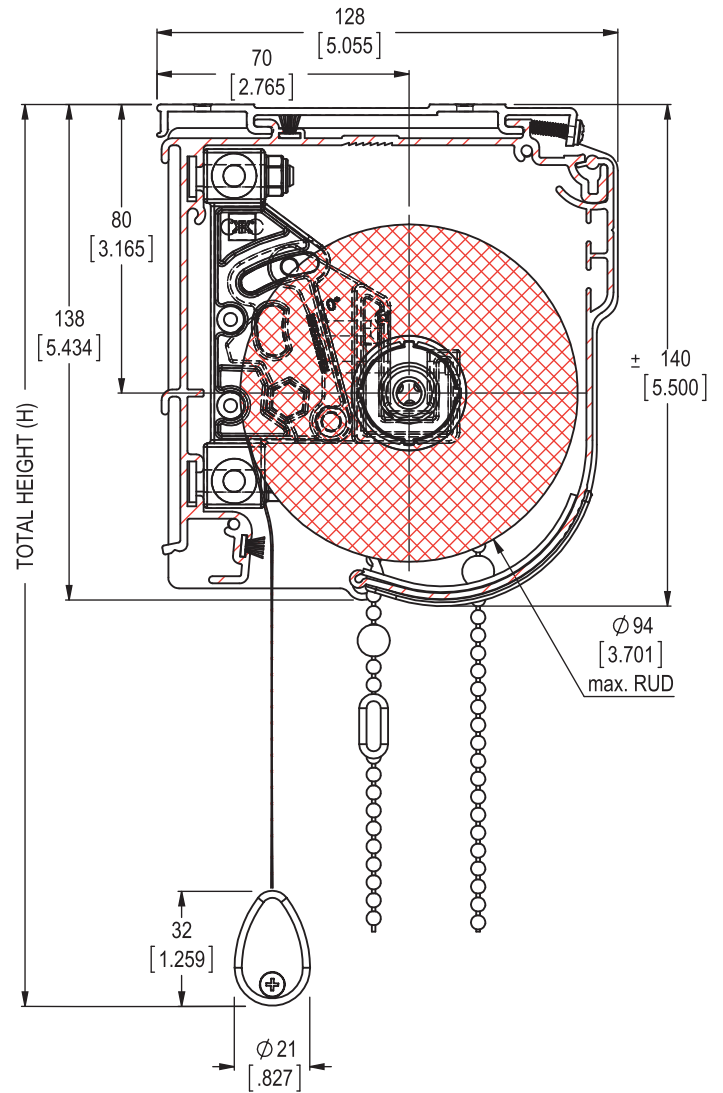
Wall mount shown

**ROLL STYLE**



REGULAR ROLL

**SECTION**



**MODEL      TK1-C125-LL32**

NOTE: For size limitation guidelines, please refer to our Size Limitation Detail Sheets or contact our Technical Department.

MONTREAL T: 800.363.5930 @: info@altex.ca	TORONTO T: 888.836.6980 @: sales@altex.ca	VANCOUVER T: 888.980.9899 @: servicewest@altex.ca
---	---	---

**TEKNO<sup>®</sup> TK-2**

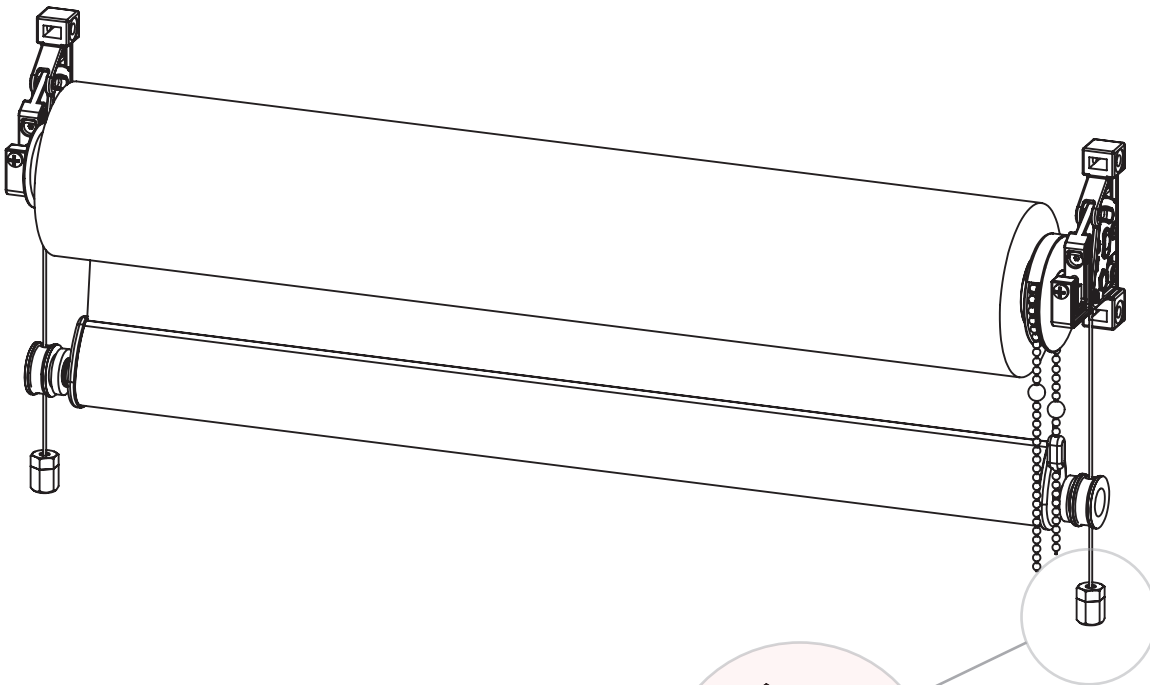
**LITE-LIFT<sup>®</sup> CHAIN OPERATED**

**OPEN ROLL OR-HP**

**SHADE HOLDER: N/A**

**GUIDE CABLES: WITH GUIDE CABLES**

**CHANNELS: N/A**

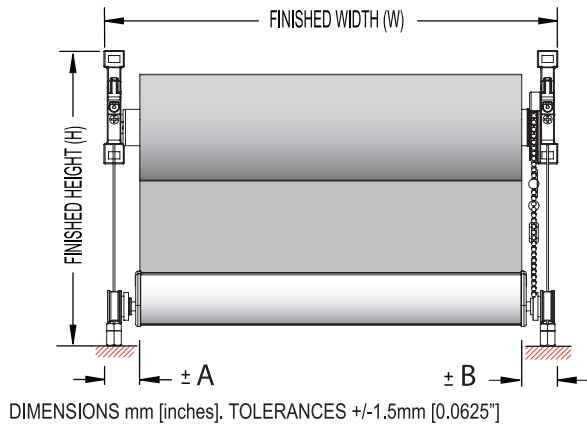


OPTIONAL WALL MOUNTED  
GUIDE CABLE ANCHORING BRACKET

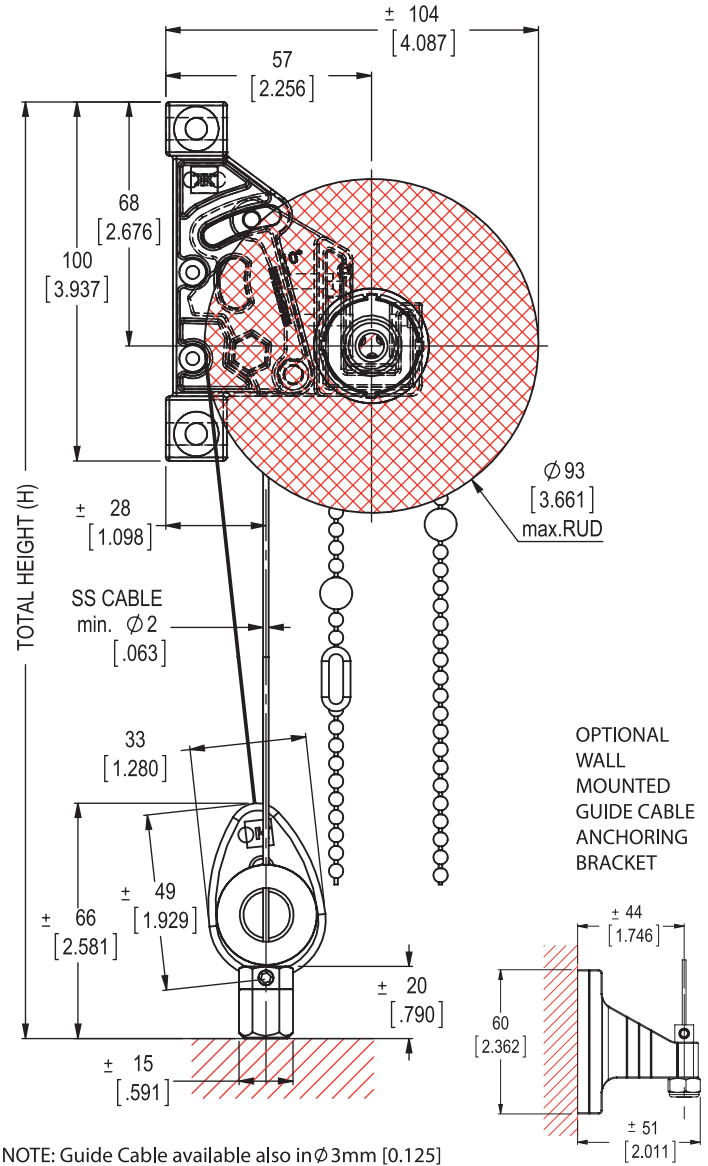
**TK2-OR-HP-LL**

**OPEN ROLL WITH "HP" BRACKET**

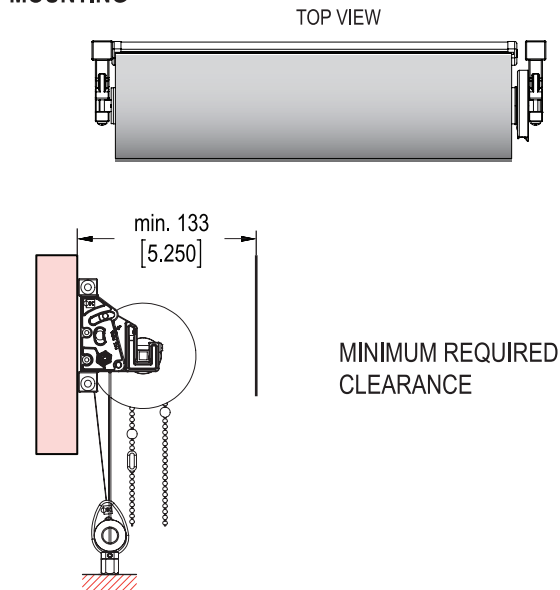
**ELEVATION**



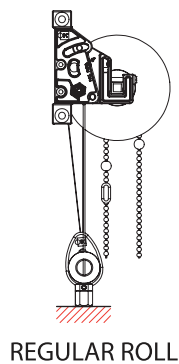
**SECTION**



**MOUNTING**



**ROLL STYLE**



**MODEL** | **TK2-OR-HP-LL32**

*NOTE: For size limitation guidelines, please refer to our Size Limitation Detail Sheets or contact our Technical Department.*

<b>MONTREAL</b>	<b>TORONTO</b>	<b>VANCOUVER</b>
T: 800.363.5930	T: 888.836.6980	T: 888.980.9899
@: info@altex.ca	@: sales@altex.ca	@: servicewest@altex.ca

**TEKNO<sup>®</sup> TK-2**

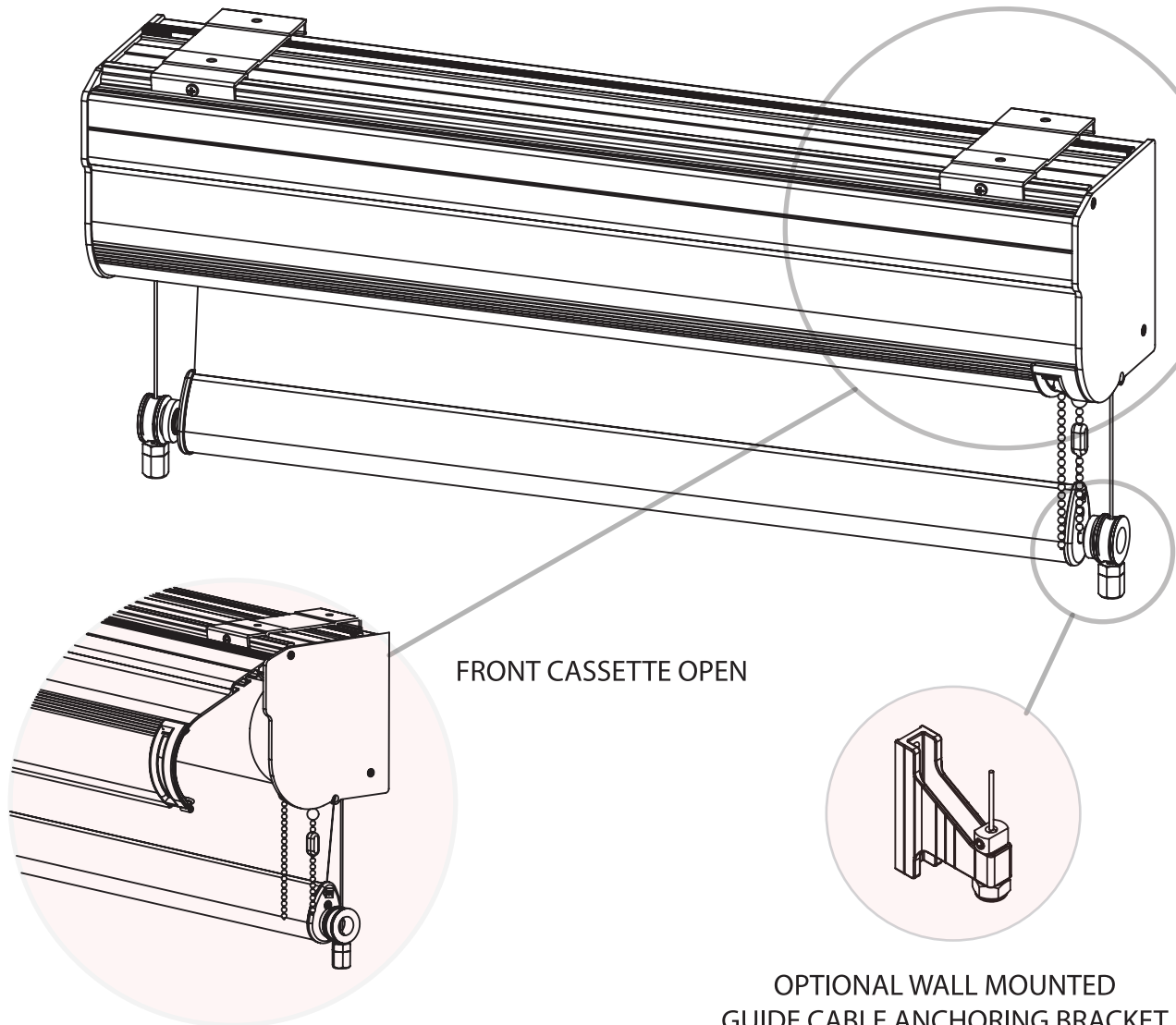
**LITE-LIFT<sup>®</sup> CHAIN OPERATED**

**CASSETTE C-125**

**SHADE HOLDER: N/A**

**GUIDE CABLES: WITH GUIDE CABLES**

**CHANNELS: N/A**

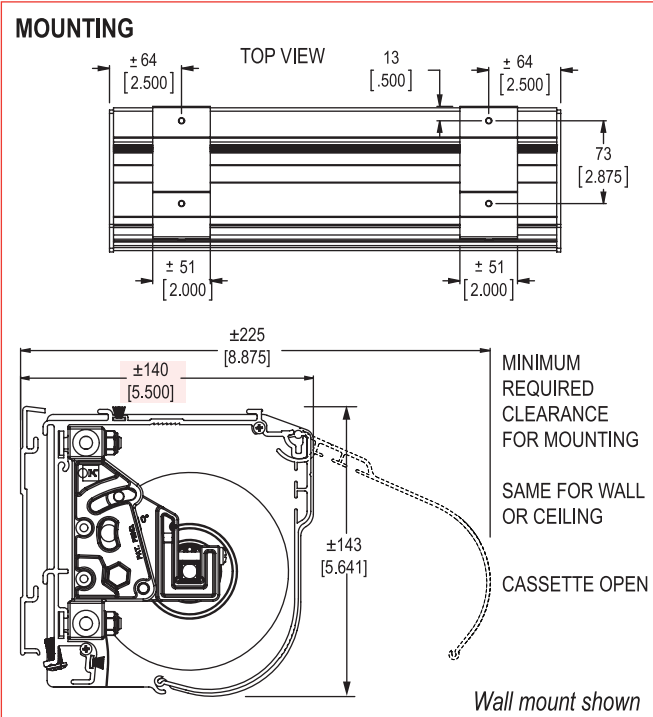
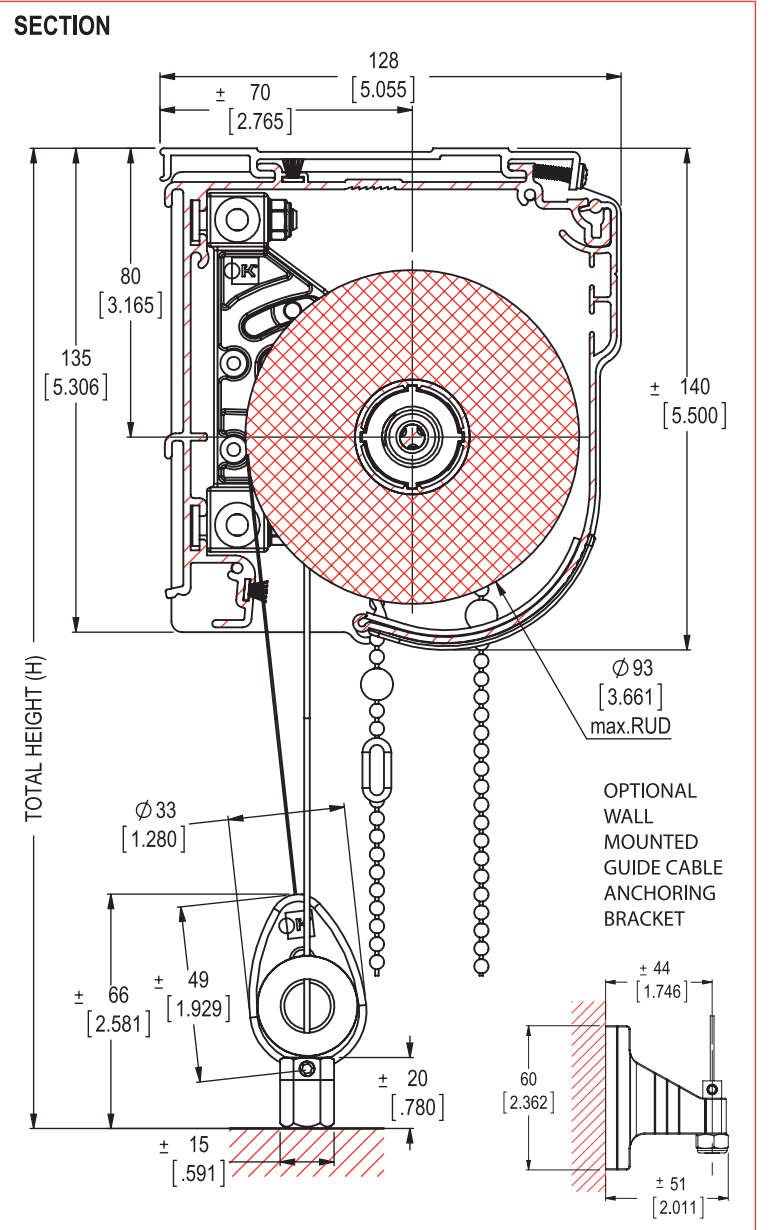
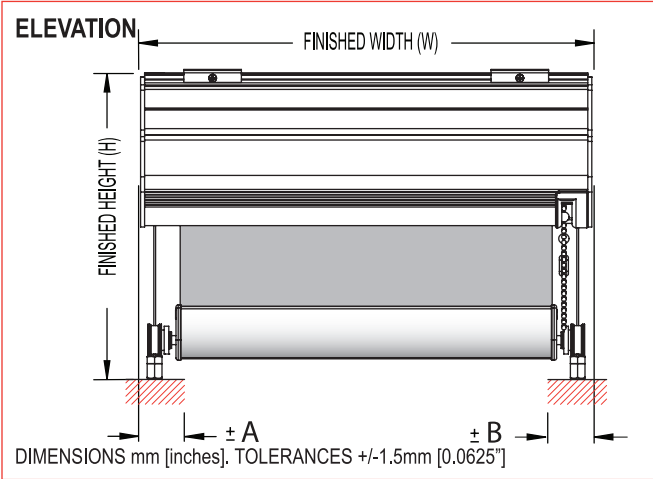


FRONT CASSETTE OPEN

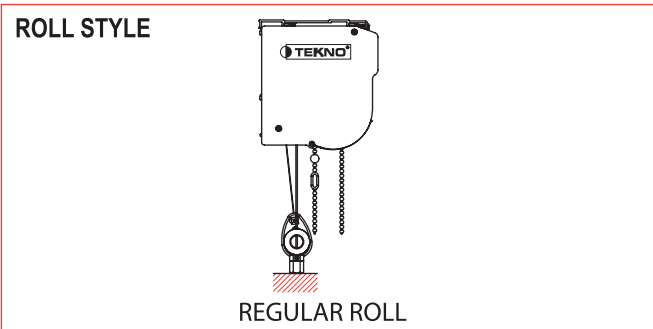
OPTIONAL WALL MOUNTED  
GUIDE CABLE ANCHORING BRACKET

**TK2-C125-LL**

**WITH CASSETTE C-125**



**MODEL**      **TK2-C125-LL32**



*NOTE: For size limitation guidelines, please refer to our Size Limitation Detail Sheets or contact our Technical Department.*

MONTREAL T: 800.363.5930 @: info@altex.ca	TORONTO T: 888.836.6980 @: sales@altex.ca	VANCOUVER T: 888.980.9899 @: servicewest@altex.ca
---	---	---



TEKNO<sup>®</sup> **TK-3**

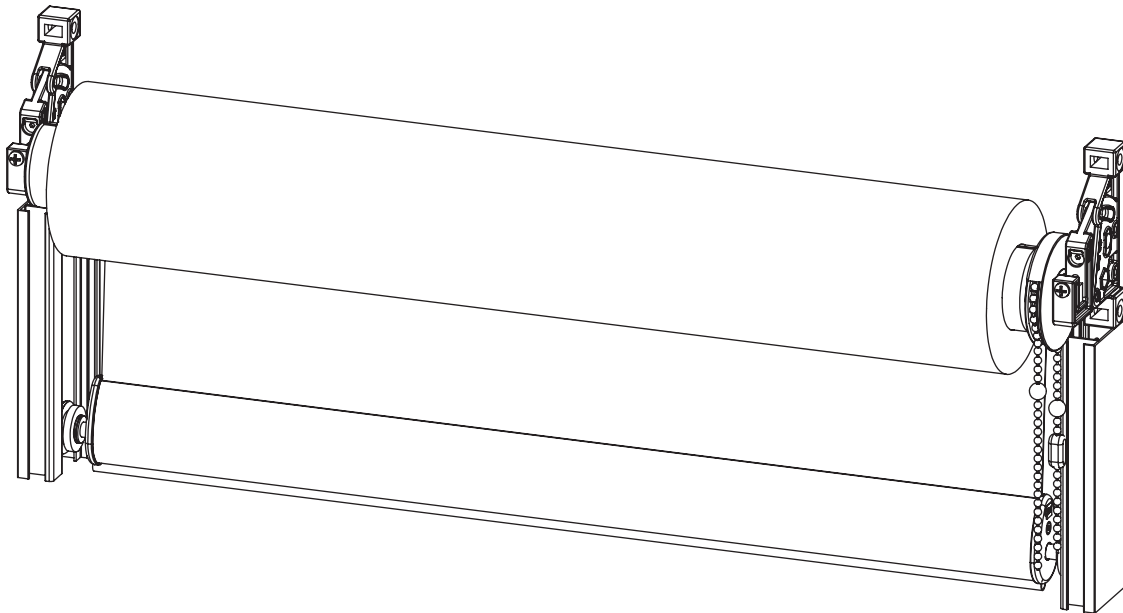
LITE-LIFT<sup>®</sup> | CHAIN OPERATED

**OPEN ROLL HP**

SHADE HOLDER: N/A

GUIDE CABLES: N/A

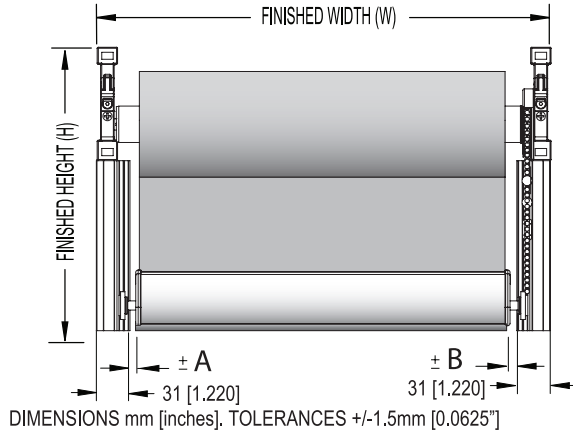
CHANNELS: **ST-3**



**TK3-OR-HP-LL**

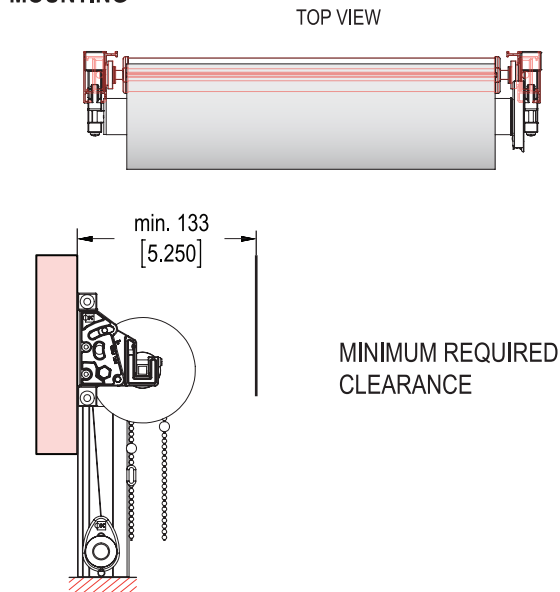
**OPEN ROLL WITH “HP” BRACKET**

**ELEVATION**

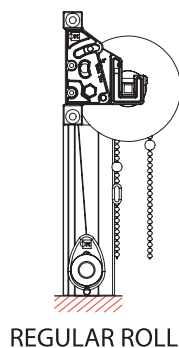


DIMENSION	FABRIC EDGE CLEARANCE [ ±mm / ±in] BY TUBE TYPE									
	32		38		46		53		63	
A	32	1.250	32	1.250	32	1.250	32	1.250	n/a	n/a
B	32	1.250	32	1.250	32	1.250	32	1.250	n/a	n/a

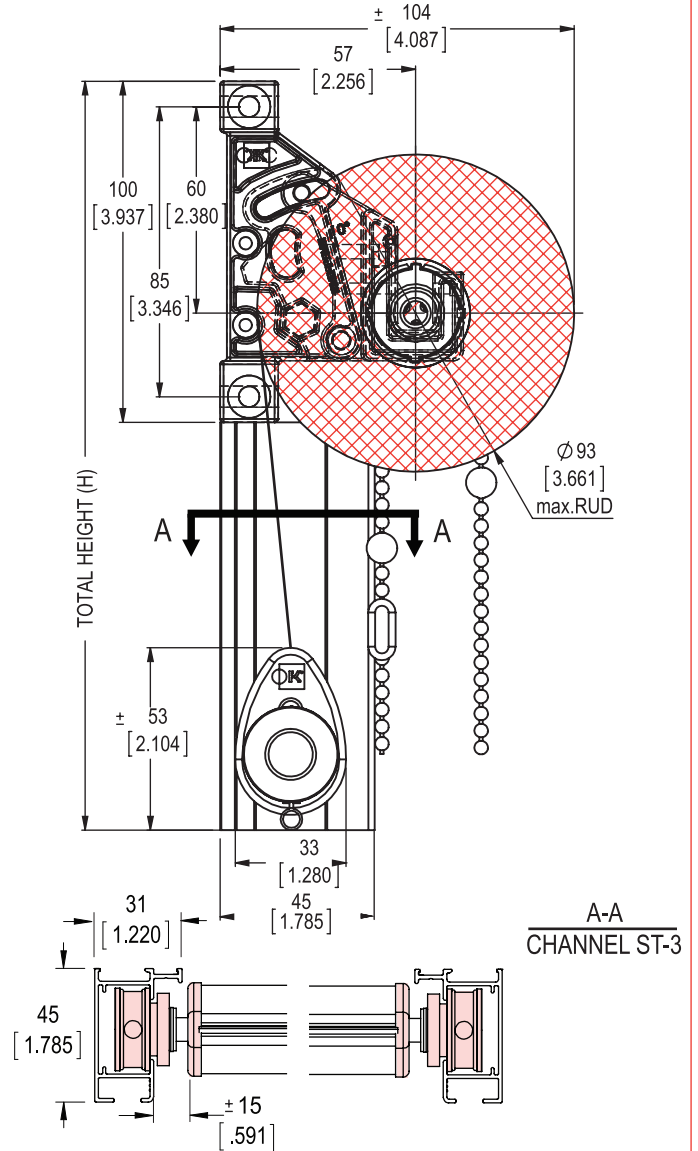
**MOUNTING**



**ROLL STYLE**



**SECTION**



**MODEL** | **TK3-OR-HP-LL32**

*NOTE: For size limitation guidelines, please refer to our Size Limitation Detail Sheets or contact our Technical Department.*

<b>MONTREAL</b> T: 800.363.5930 @: info@altex.ca	<b>TORONTO</b> T: 888.836.6980 @: sales@altex.ca	<b>VANCOUVER</b> T: 888.980.9899 @: servicewest@altex.ca
--	--	--

**TEKNO<sup>®</sup> TK-3**

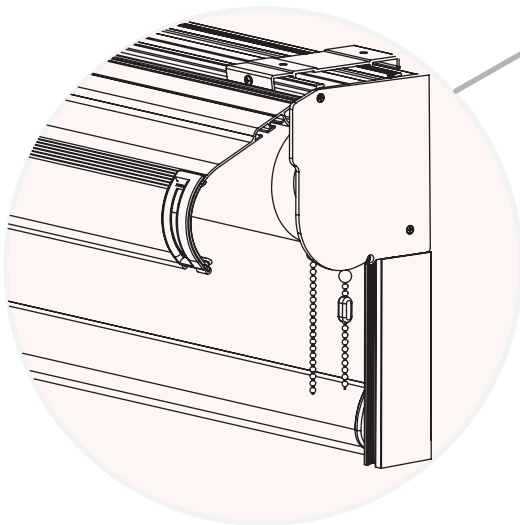
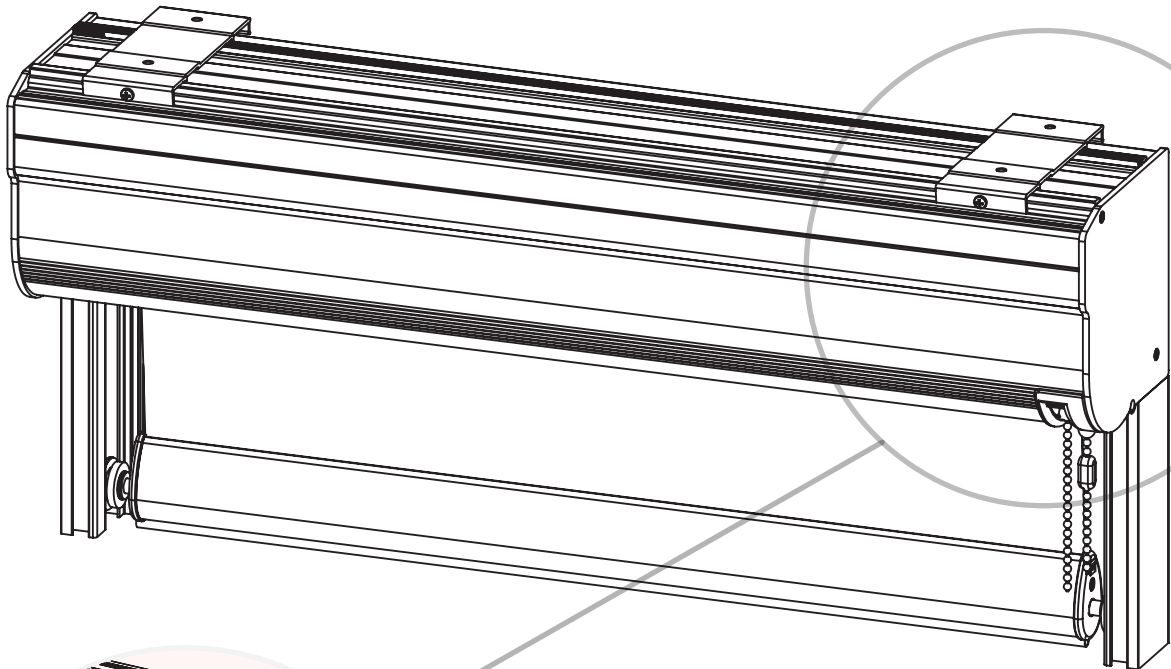
**LITE-LIFT<sup>®</sup> CHAIN OPERATED**

**CASSETTE C-125**

**SHADE HOLDER: N/A**

**GUIDE CABLES: N/A**

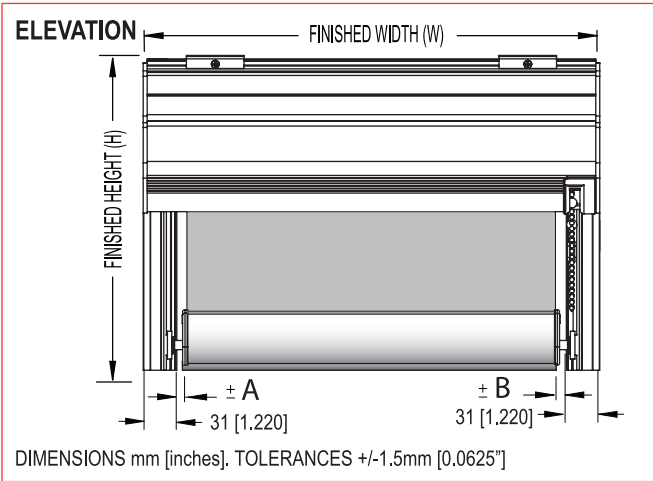
**CHANNELS: ST-3**



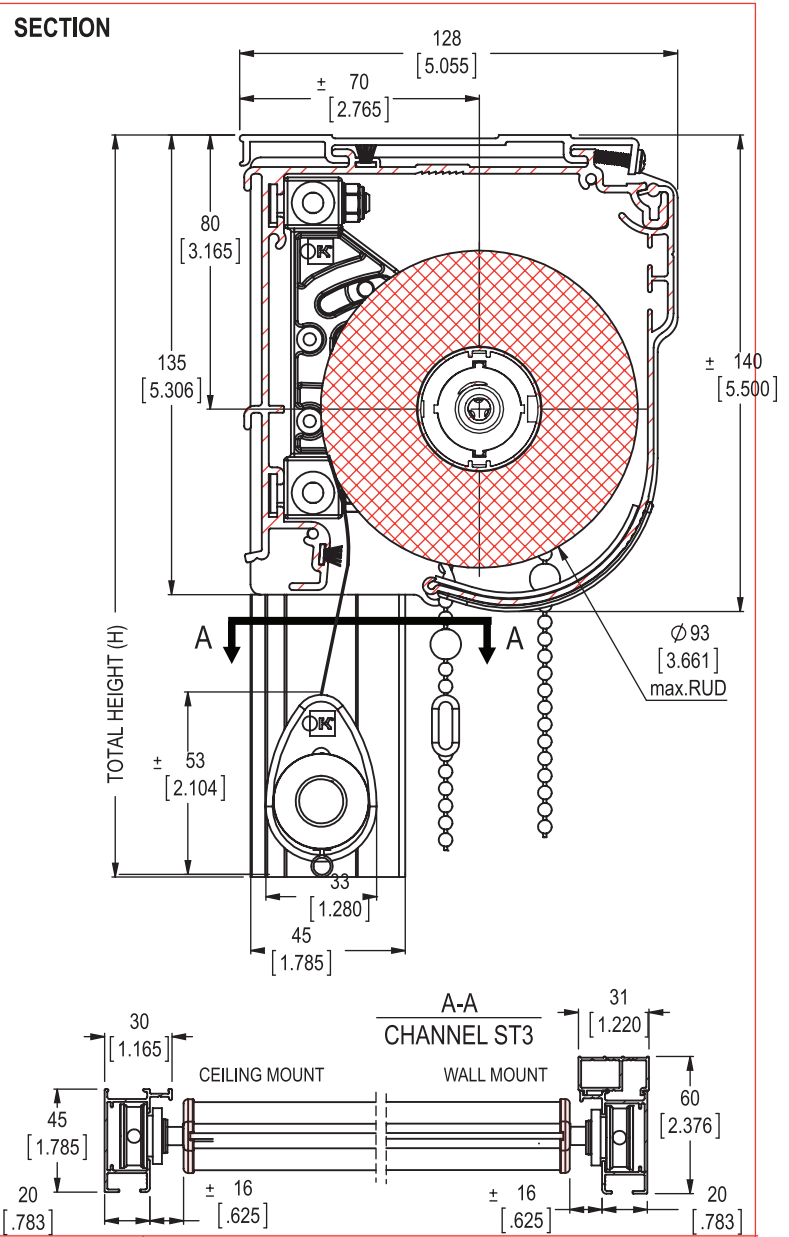
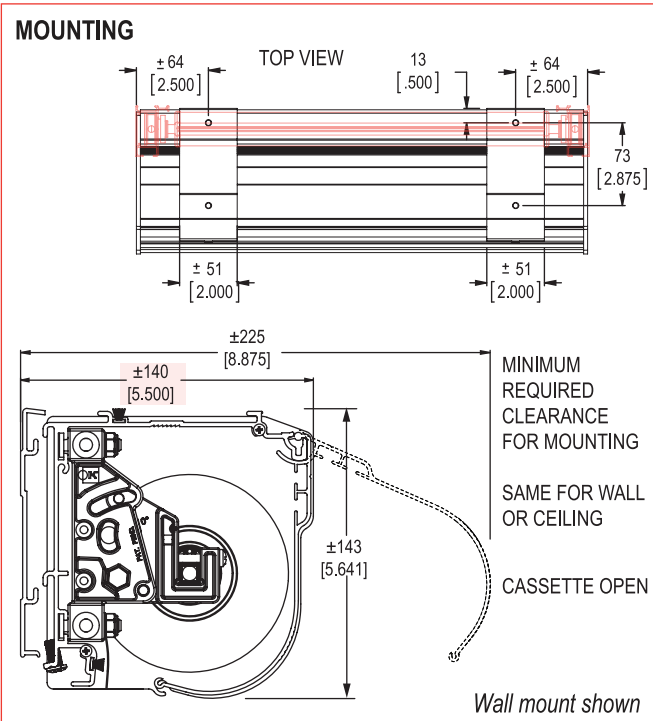
FRONT CASSETTE OPEN

**TK3-C125-LL**

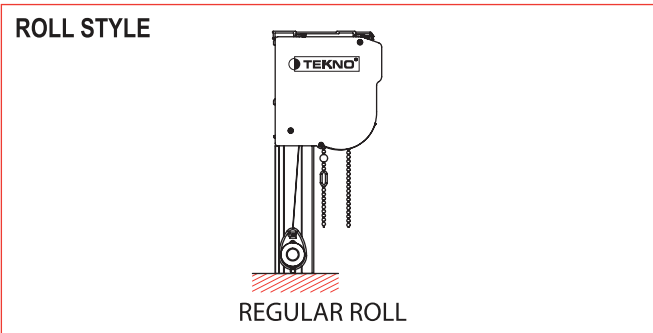
**WITH CASSETTE C-125**



DIMENSION	FABRIC EDGE CLEARANCE [ ±mm / ±in ] BY TUBE TYPE									
	32		38		46		53		63	
A	35	1.375	35	1.375	35	1.375	35	1.375	n/a	n/a
B	35	1.375	35	1.375	35	1.375	35	1.375	n/a	n/a



**MODEL** | **TK3-C125-LL38**



*NOTE: For size limitation guidelines, please refer to our Size Limitation Detail Sheets or contact our Technical Department.*

<b>MONTREAL</b> T: 800.363.5930 @: info@altex.ca	<b>TORONTO</b> T: 888.836.6980 @: sales@altex.ca	<b>VANCOUVER</b> T: 888.980.9899 @: servicewest@altex.ca
--	--	--

**TEKNO<sup>®</sup> TK-4**

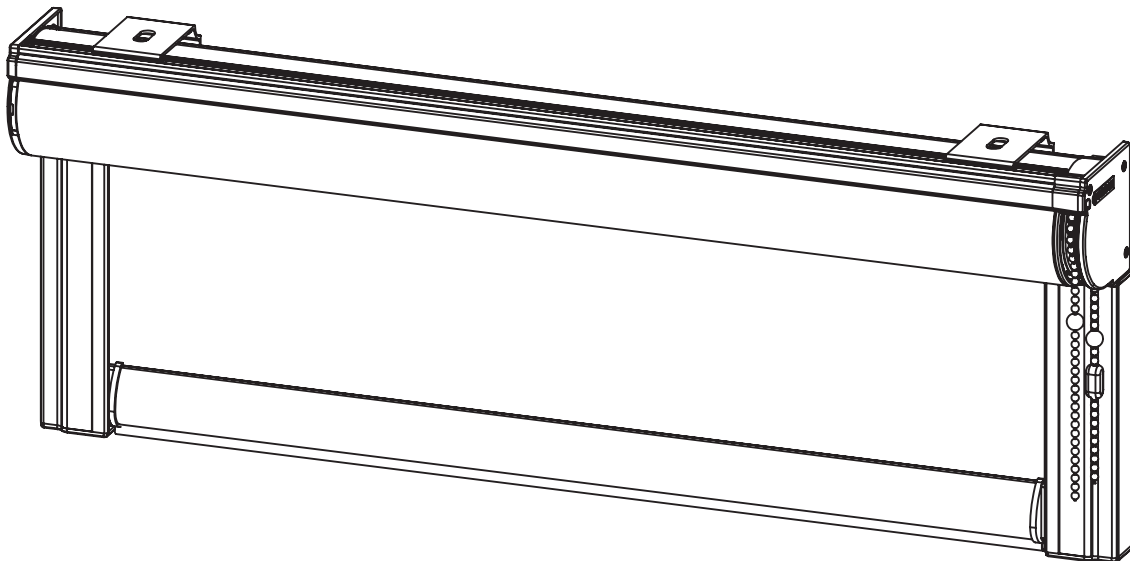
**LITE-LIFT<sup>®</sup> CHAIN OPERATED**

**CASSETTE C-70**

**SHADE HOLDER: N/A**

**GUIDE CABLES: N/A**

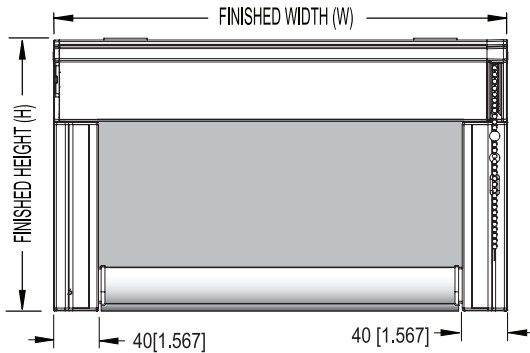
**CHANNELS: T-440**



**TK4-C70-LL**

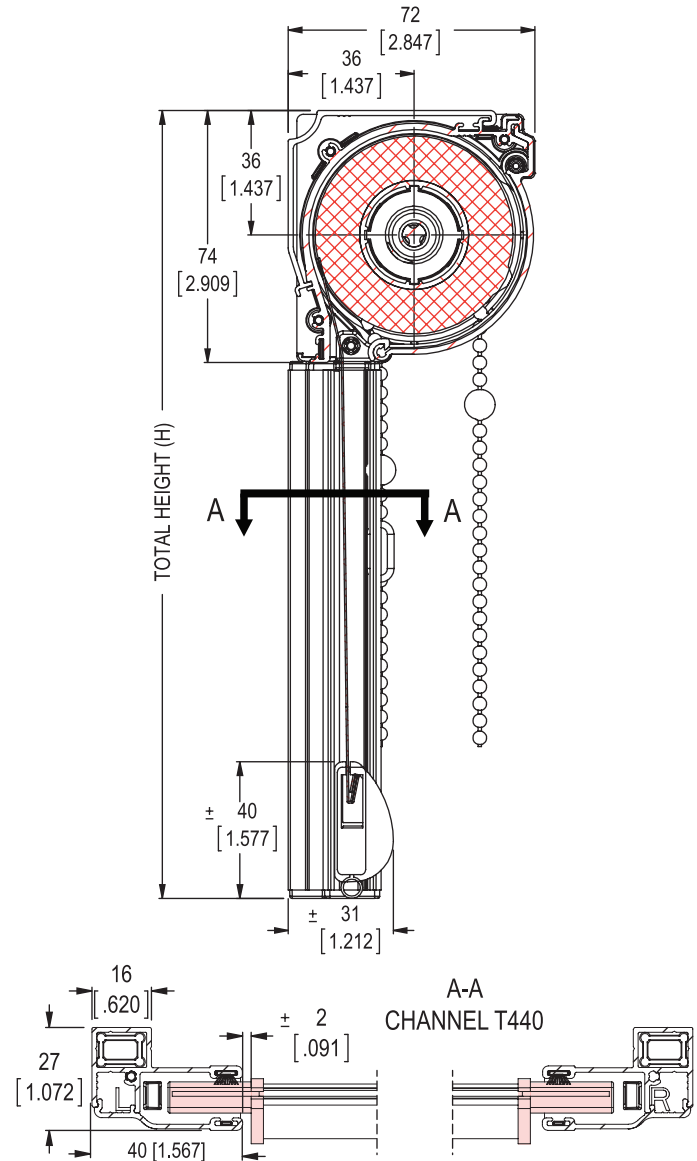
**WITH CASSETTE C-70**

**ELEVATION**



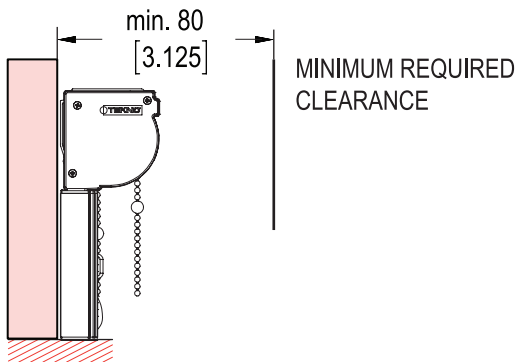
DIMENSIONS mm [inches]. TOLERANCES +/-1.5mm [0.0625"]

**SECTION**



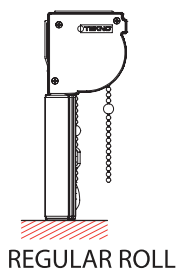
**MOUNTING**

TOP VIEW



Wall mount shown

**ROLL STYLE**



**MODEL      TK4-C70-LL32**

*NOTE: For size limitation guidelines, please refer to our Size Limitation Detail Sheets or contact our Technical Department.*

<b>MONTREAL</b> T: 800.363.5930 @: info@altex.ca	<b>TORONTO</b> T: 888.836.6980 @: sales@altex.ca	<b>VANCOUVER</b> T: 888.980.9899 @: servicewest@altex.ca
--	--	--

**TEKNO**<sup>®</sup> TK-4

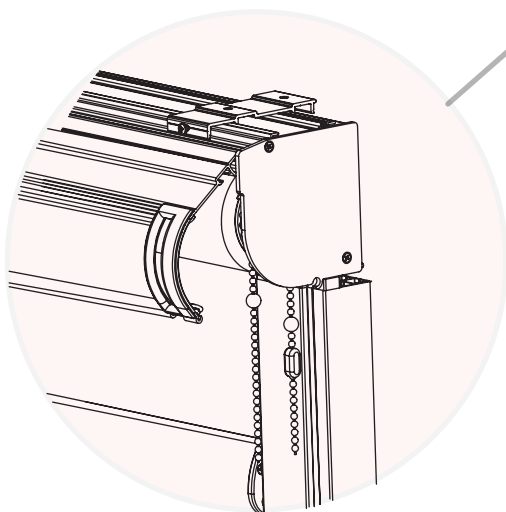
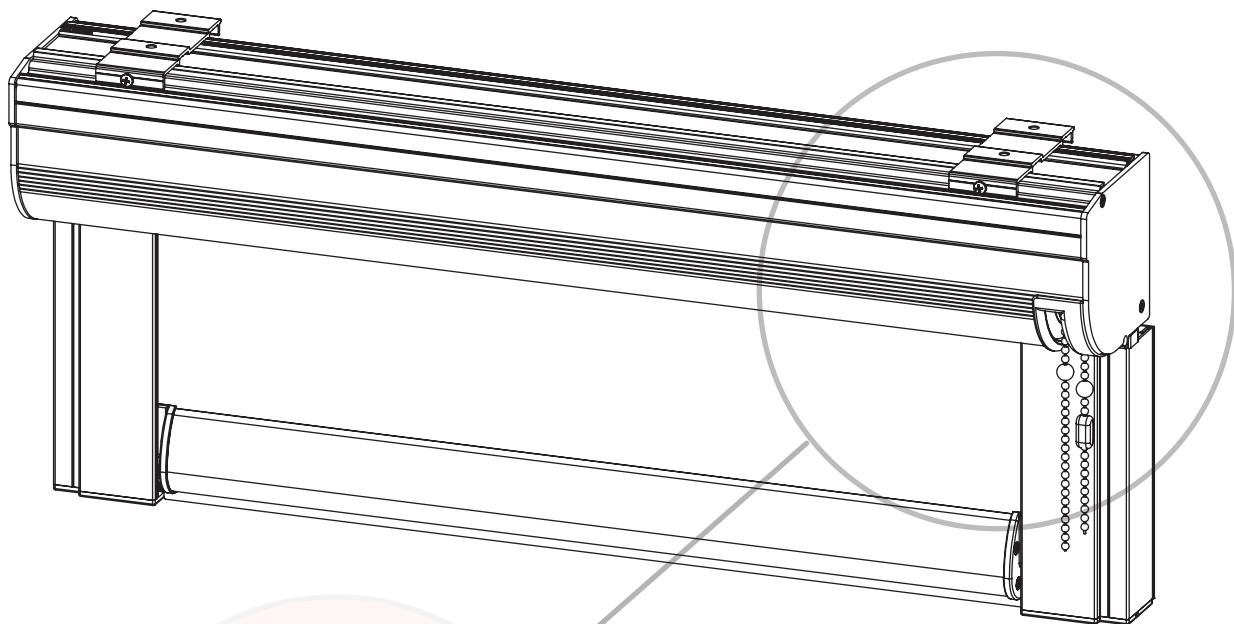
LITE-LIFT<sup>®</sup> CHAIN OPERATED

**CASSETTE C-95**

SHADE HOLDER: N/A

GUIDE CABLES: N/A

CHANNELS: T-460

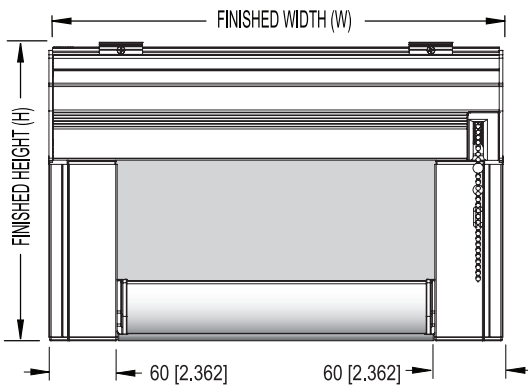


FRONT CASSETTE OPEN

**TK4-C95-LL**

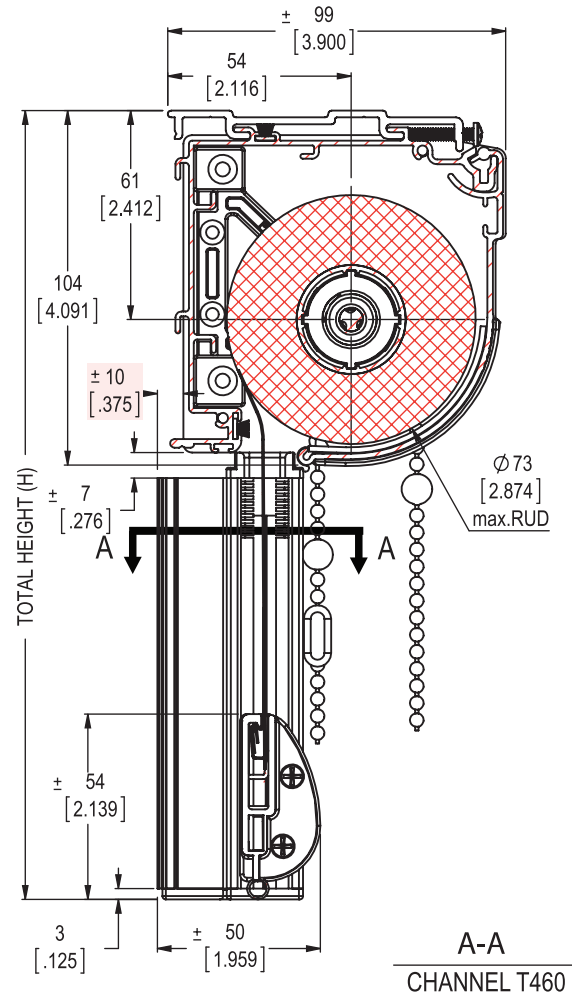
**WITH CASSETTE C-95**

**ELEVATION**



DIMENSIONS mm [inches]. TOLERANCES +/-1.5mm [0.0625"]

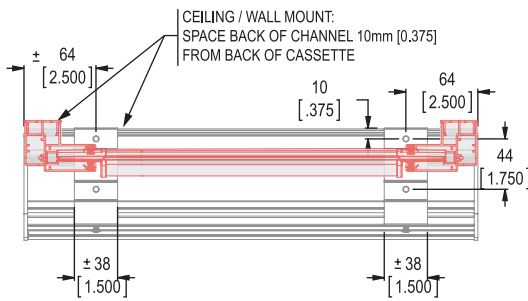
**SECTION**



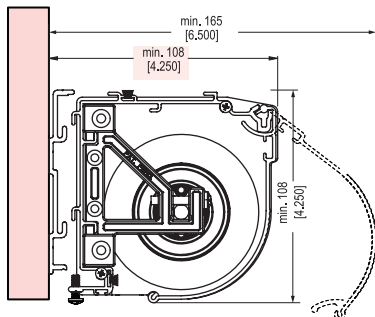
A-A  
CHANNEL T460

**MOUNTING**

**TOP VIEW**



CEILING / WALL MOUNT:  
SPACE BACK OF CHANNEL 10mm [0.375]  
FROM BACK OF CASSETTE



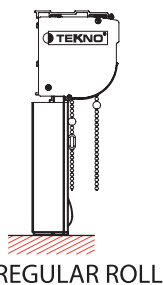
MINIMUM REQUIRED  
CLEARANCE  
FOR MOUNTING

SAME FOR WALL OR  
CEILING

CASSETTE OPEN

*Wall mount shown*

**ROLL STYLE**

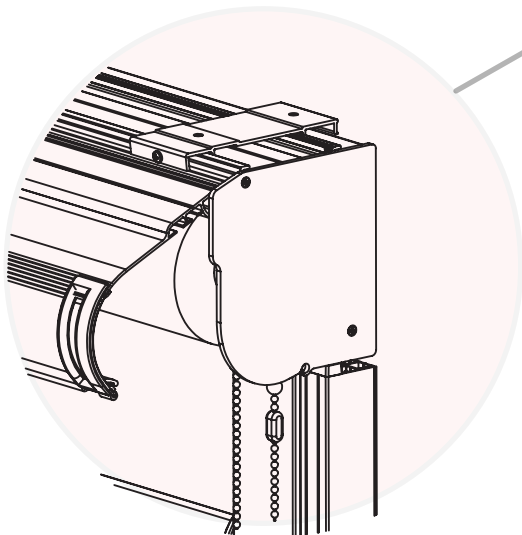
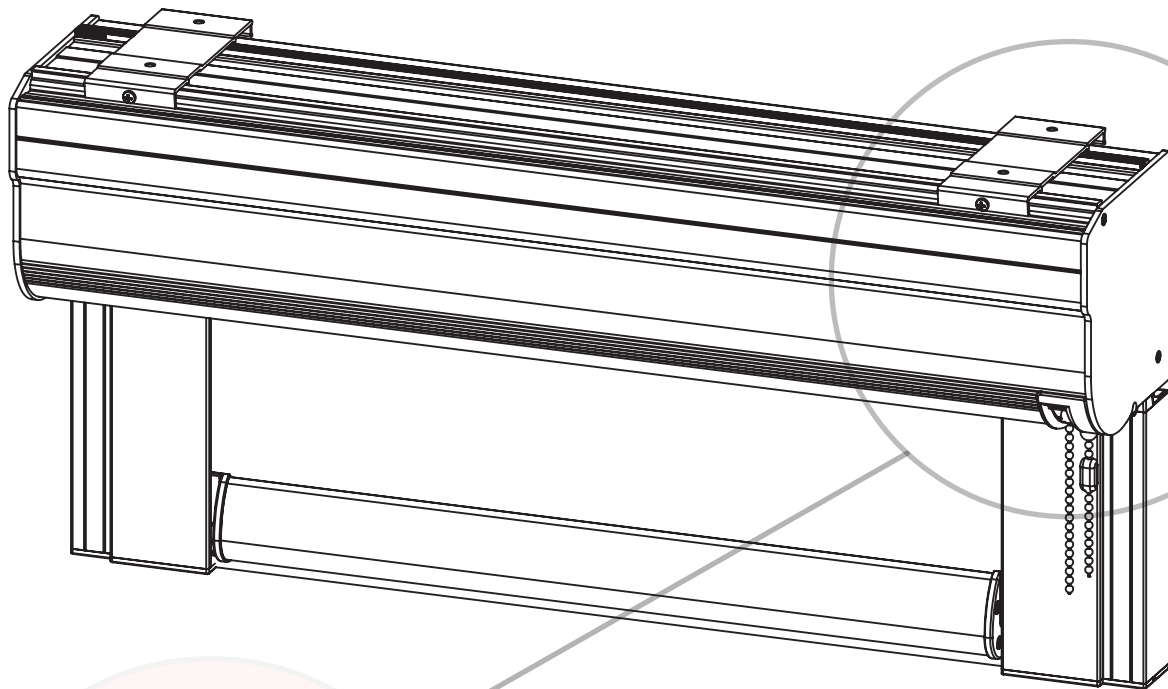


**MODEL** | **TK4-C95-LL32**

*NOTE: For size limitation guidelines, please refer to our  
Size Limitation Detail Sheets or contact our Technical Department.*

<b>MONTREAL</b> T: 800.363.5930 @: info@altex.ca	<b>TORONTO</b> T: 888.836.6980 @: sales@altex.ca	<b>VANCOUVER</b> T: 888.980.9899 @: servicewest@altex.ca
--	--	--

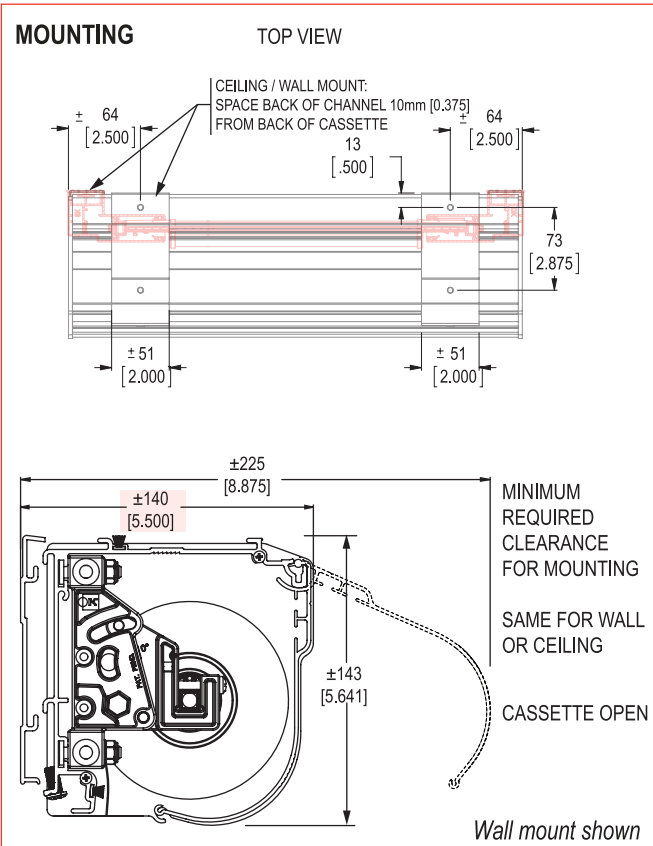
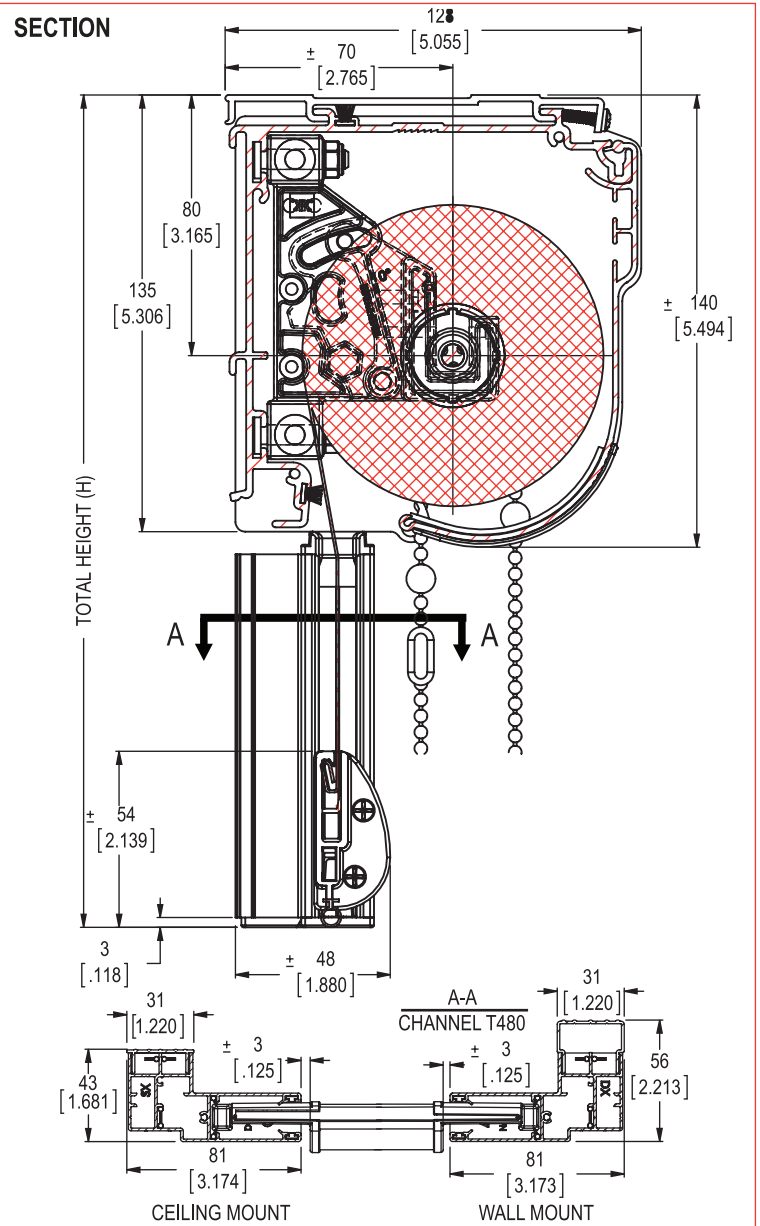
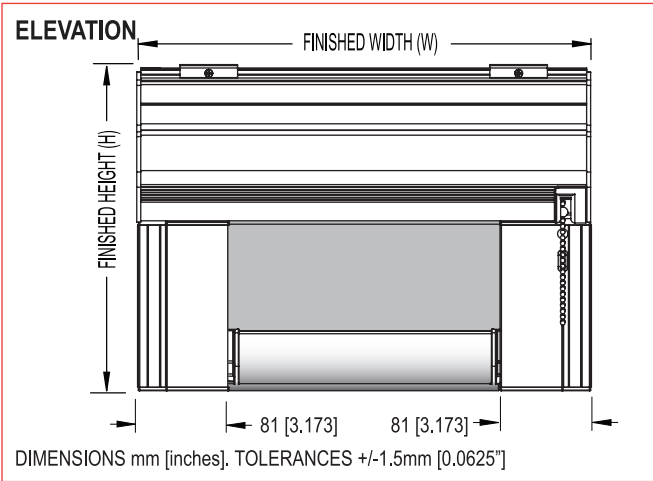




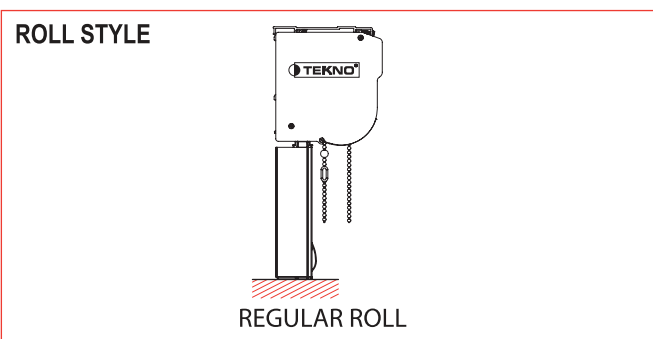
FRONT CASSETTE OPEN

**TK4-C125-LL**

**WITH CASSETTE C-125**



**MODEL** | **TK4-C125-LL32**



*NOTE: For size limitation guidelines, please refer to our Size Limitation Detail Sheets or contact our Technical Department.*

<b>MONTREAL</b> T: 800.363.5930 @: info@altex.ca	<b>TORONTO</b> T: 888.836.6980 @: sales@altex.ca	<b>VANCOUVER</b> T: 888.980.9899 @: servicewest@altex.ca
--	--	--

**TEKNO<sup>®</sup> TK-1**

**ELEKTRA**      **ULTRA QUIET MOTOR**

**OPEN ROLL OR-TR**

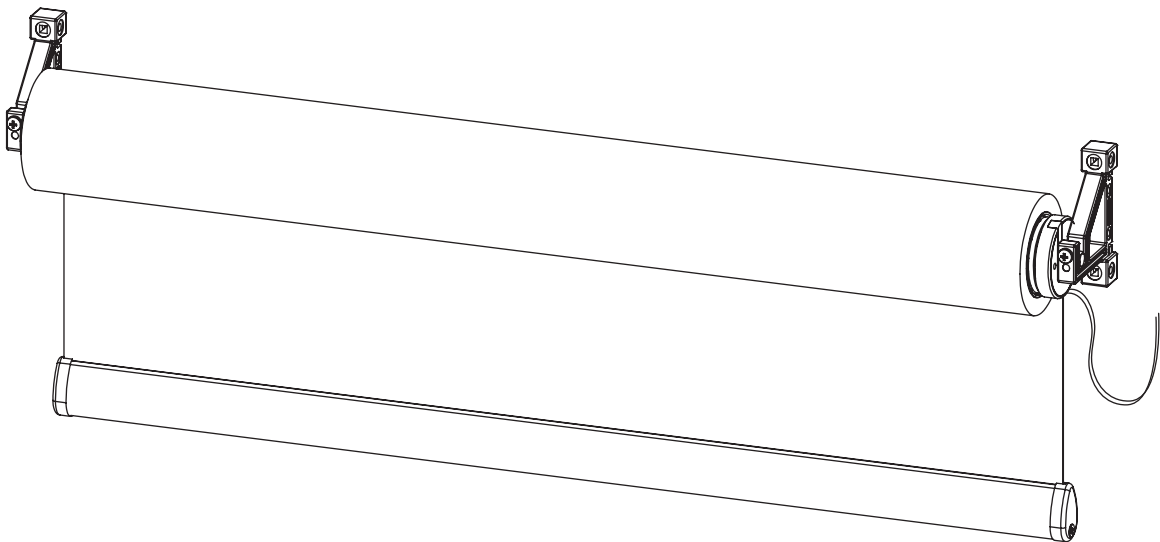
**SHADE HOLDER: N/A**

**GUIDE CABLES: N/A**

**CHANNELS: N/A**

**MOTOR TYPE:      UQM 30 RTS - 24VDC**

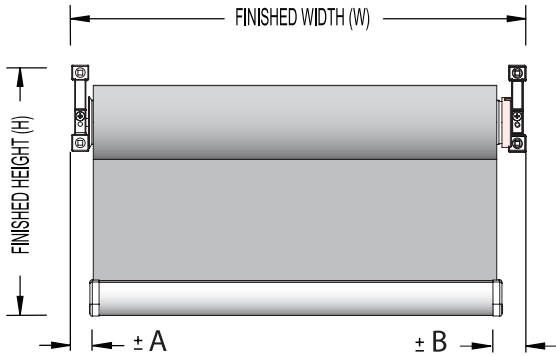
**UQM 30 ILT - 24VDC**



**TK1-OR-TR-UQM30 RTS**

**OPEN ROLL WITH "TR" BRACKET**

### ELEVATION

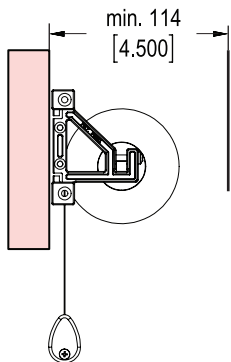


DIMENSIONS mm [inches]. TOLERANCES +/-1.5mm [0.0625"]

DIMENSION	FABRIC EDGE CLEARANCE [ ±mm / ±in] BY TUBE TYPE									
	32		38		46		53		63	
A	n/a	n/a	19	0.750	19	0.750	19	0.750	n/a	n/a
B	n/a	n/a	25	1.000	25	1.000	25	1.000	n/a	n/a

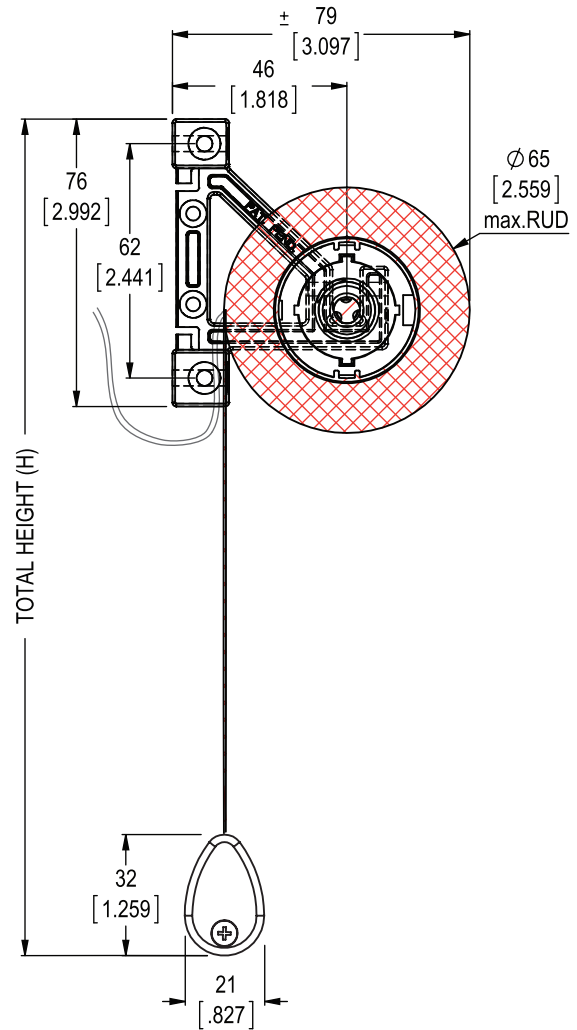
### MOUNTING

TOP VIEW



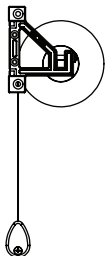
MINIMUM REQUIRED CLEARANCE

### SECTION

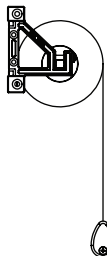


MODEL **TK1-OR-TR-EM38-UQM30 RTS**

### ROLL STYLE



REGULAR ROLL



REVERSE ROLL

NOTE: For size limitation guidelines, please refer to our Size Limitation Detail Sheets or contact our Technical Department.

MONTREAL

T: 800.363.5930

@: info@altex.ca

TORONTO

T: 888.836.6980

@: sales@altex.ca

VANCOUVER

T: 888.980.9899

@: servicewest@altex.ca

**TEKNO<sup>®</sup> TK-1**

**ELEKTRA**    **ULTRA QUIET MOTOR**

**OPEN ROLL OR-HP**

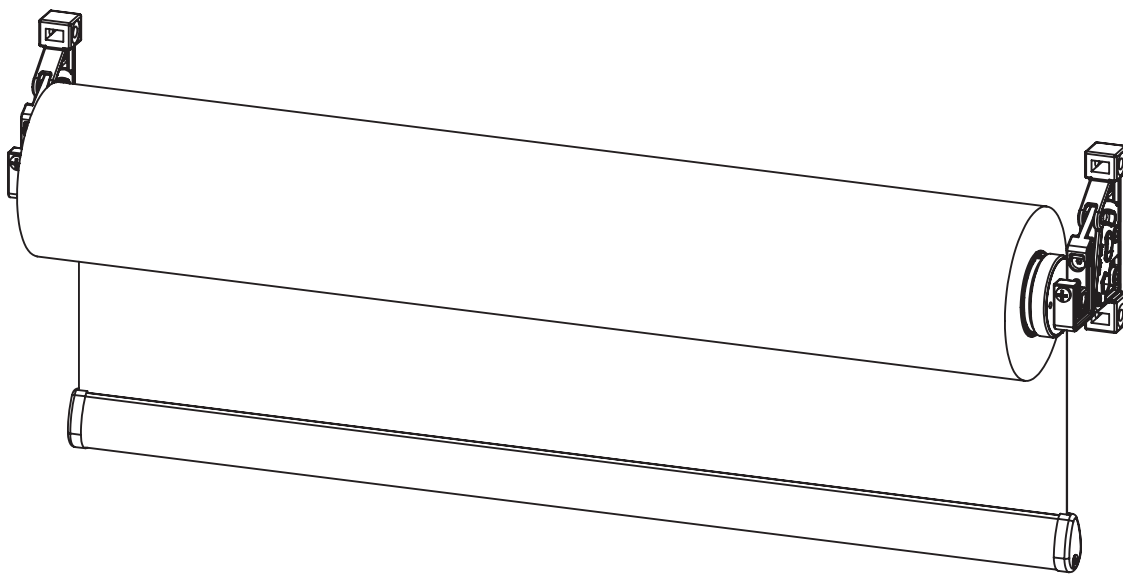
**SHADE HOLDER: N/A**

**GUIDE CABLES: N/A**

**CHANNELS: N/A**

**MOTOR TYPE:    UQM 30 RTS - 24VDC**

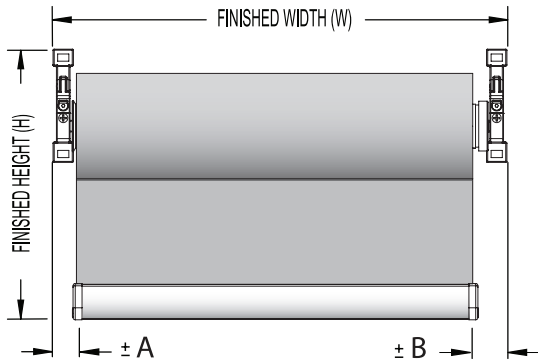
**UQM 30 ILT - 24VDC**



**TK1-OR-HP-EM-UQM30**

**OPEN ROLL WITH "HP" BRACKET**

### ELEVATION

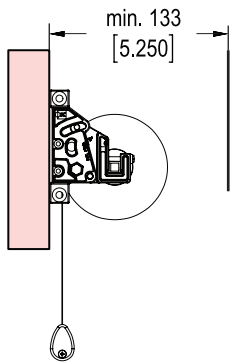
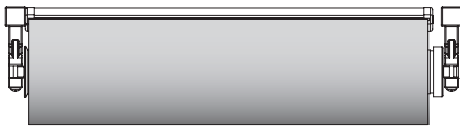


DIMENSIONS mm [inches]. TOLERANCES +/-1.5mm [0.0625"]

DIMENSION	FABRIC EDGE CLEARANCE [ ±mm / ±in ] BY TUBE TYPE									
	32		38		46		53		63	
A	n/a	n/a	21	0.813	21	0.813	21	0.813	n/a	n/a
B	n/a	n/a	30	1.188	30	1.188	30	1.188	n/a	n/a

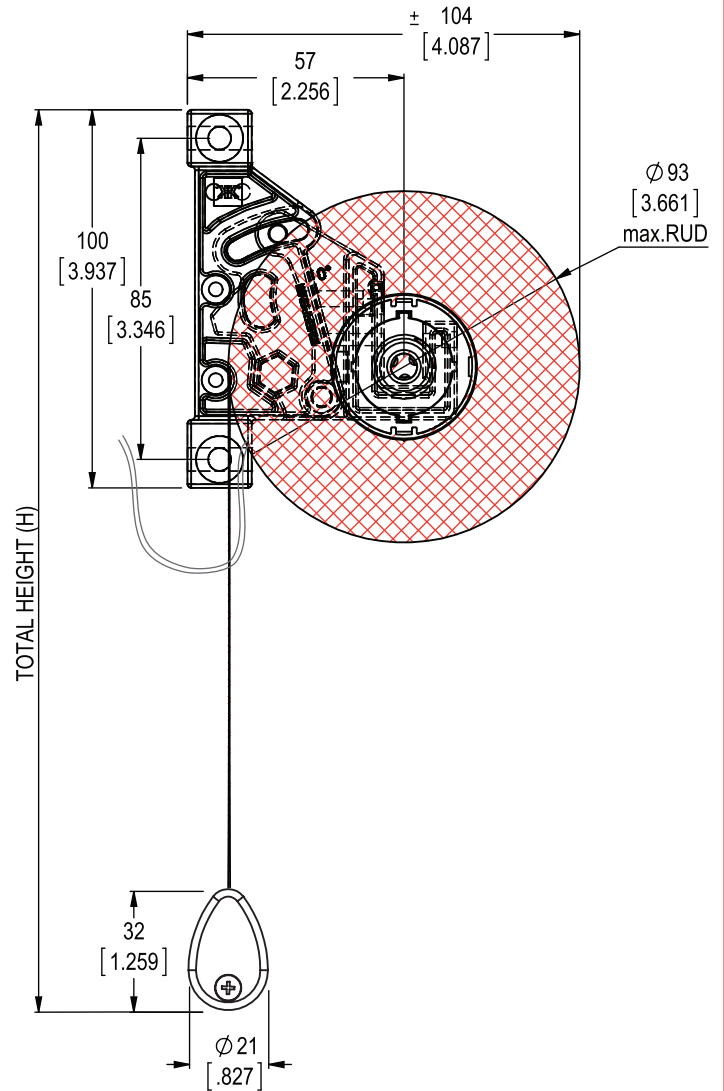
### MOUNTING

TOP VIEW



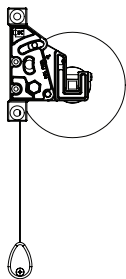
MINIMUM REQUIRED CLEARANCE

### SECTION

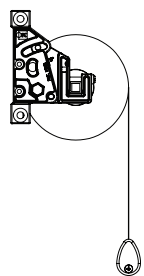


MODEL **TK1-OR-HP-EM38-UQM30 RTS**

### ROLL STYLE



REGULAR ROLL



REVERSE ROLL

NOTE: For size limitation guidelines, please refer to our Size Limitation Detail Sheets or contact our Technical Department.

MONTREAL

T: 800.363.5930

@: info@altex.ca

TORONTO

T: 888.836.6980

@: sales@altex.ca

VANCOUVER

T: 888.980.9899

@: servicewest@altex.ca

**TEKNO<sup>®</sup> TK-1**

**ELEKTRA**    **ULTRA QUIET MOTOR**

**CASSETTE C-70**

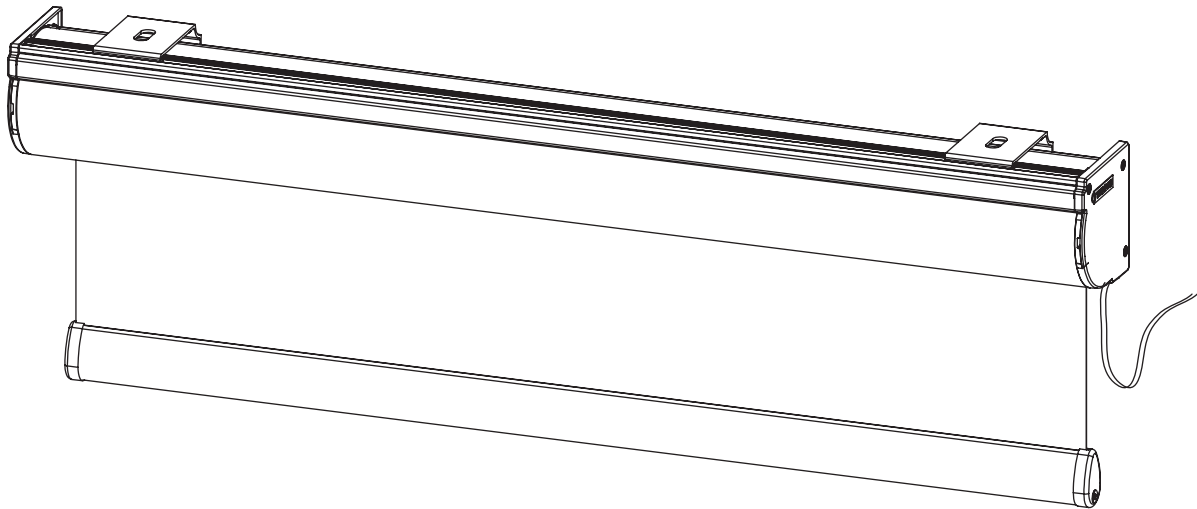
**SHADE HOLDER: N/A**

**GUIDE CABLES: N/A**

**CHANNELS: N/A**

**MOTOR TYPE:    UQM 30 RTS - 24VDC**

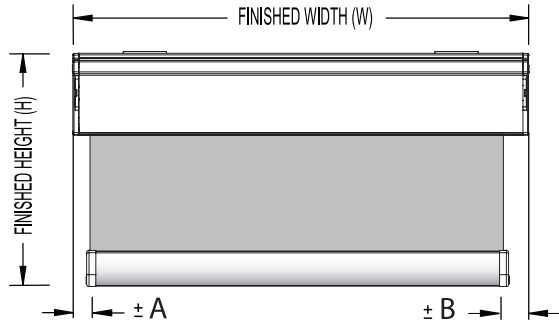
**UQM 30 ILT - 24VDC**



**TK1-C70-EM-UQM**

**WITH CASSETTE C-70**

### ELEVATION

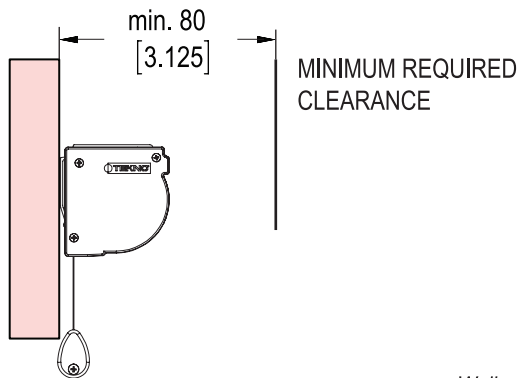


DIMENSIONS mm [inches]. TOLERANCES +/-1.5mm [0.0625"]

DIMENSION	FABRIC EDGE CLEARANCE [ ±mm / ±in] BY TUBE TYPE									
	32	38	46	53	63					
A	n/a	n/a	15	0.597	n/a	n/a	n/a	n/a	n/a	n/a
B	n/a	n/a	22	0.875	n/a	n/a	n/a	n/a	n/a	n/a

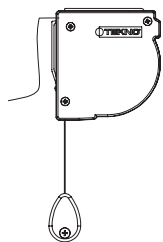
### MOUNTING

TOP VIEW



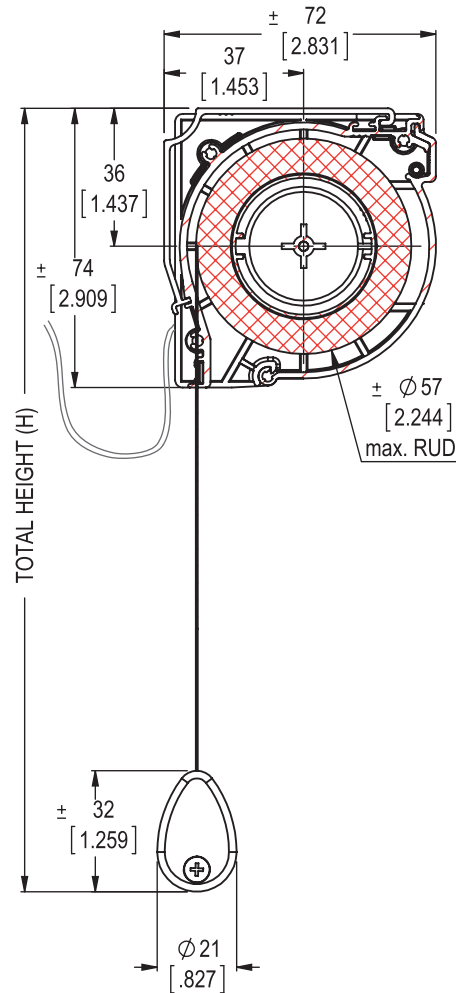
Wall mount shown

### ROLL STYLE



REGULAR ROLL

### SECTION



MODEL **TK1-C70-EM38-UQM-RTS**

NOTE: For size limitation guidelines, please refer to our Size Limitation Detail Sheets or contact our Technical Department.

MONTREAL T: 800.363.5930 @: info@altex.ca	TORONTO T: 888.836.6980 @: sales@altex.ca	VANCOUVER T: 888.980.9899 @: servicewest@altex.ca
---	---	---



**TEKNO<sup>®</sup> TK-1**

**ELEKTRA**      **ULTRA QUIET MOTOR**

**CASSETTE C-95**

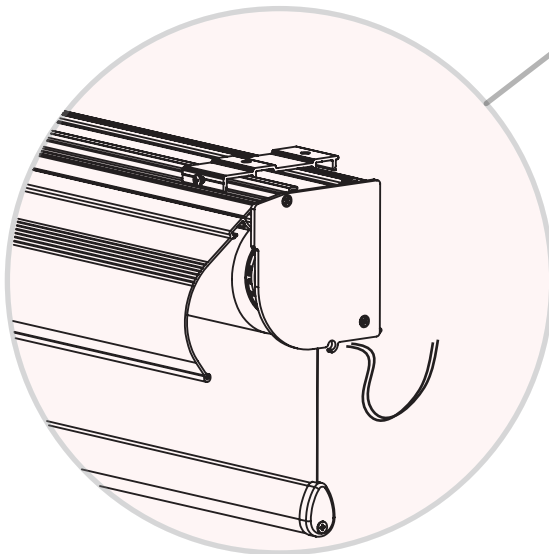
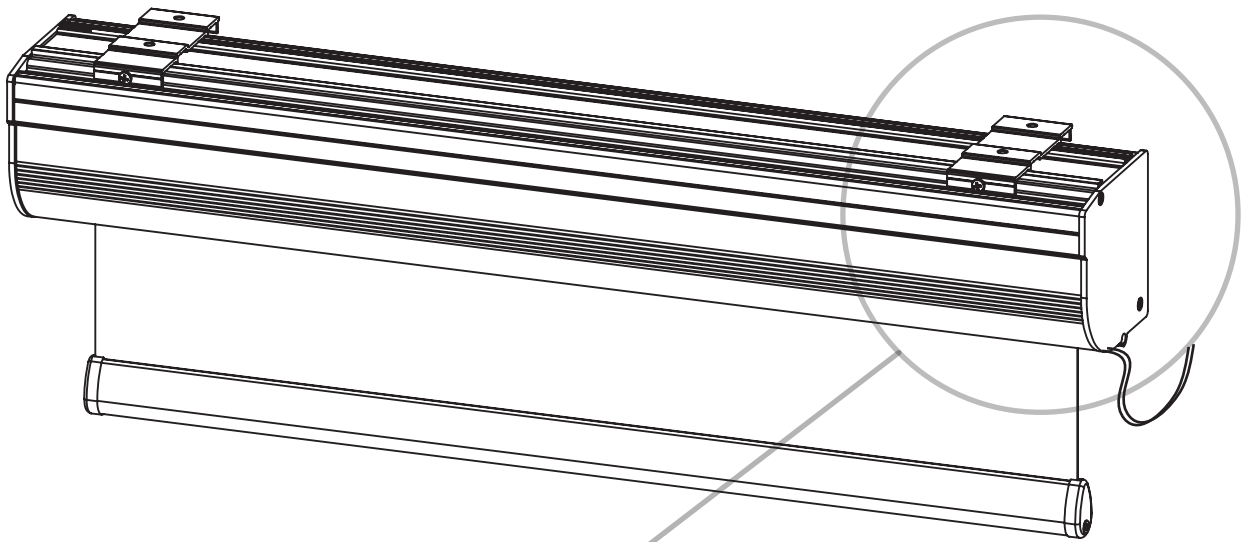
**SHADE HOLDER: N/A**

**GUIDE CABLES: N/A**

**CHANNELS: N/A**

**MOTOR TYPE: UQM 30 RTS - 24VDC**

**UQM 30 ILT - 24VDC**

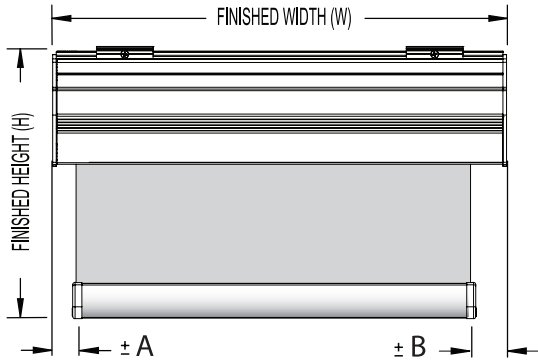


FRONT CASSETTE OPEN

**TK1-C95-EM-UQM30**

**WITH CASSETTE C-95**

### ELEVATION

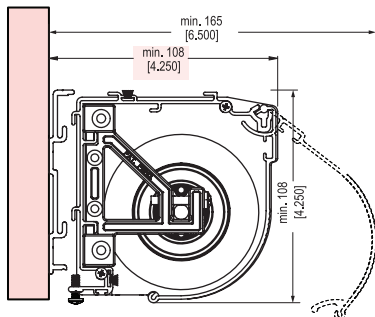
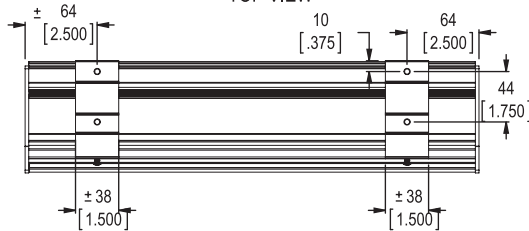


DIMENSIONS mm [inches]. TOLERANCES +/-1.5mm [0.0625"]

DIMENSION	FABRIC EDGE CLEARANCE [ ±mm / ±in ] BY TUBE TYPE									
	32		38		46		53		63	
A	n/a	n/a	22	0.875	22	0.875	22	0.875	n/a	n/a
B	n/a	n/a	29	1.125	29	1.125	29	1.125	n/a	n/a

### MOUNTING

TOP VIEW



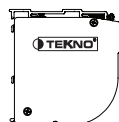
MINIMUM REQUIRED CLEARANCE FOR MOUNTING

SAME FOR WALL OR CEILING

CASSETTE OPEN

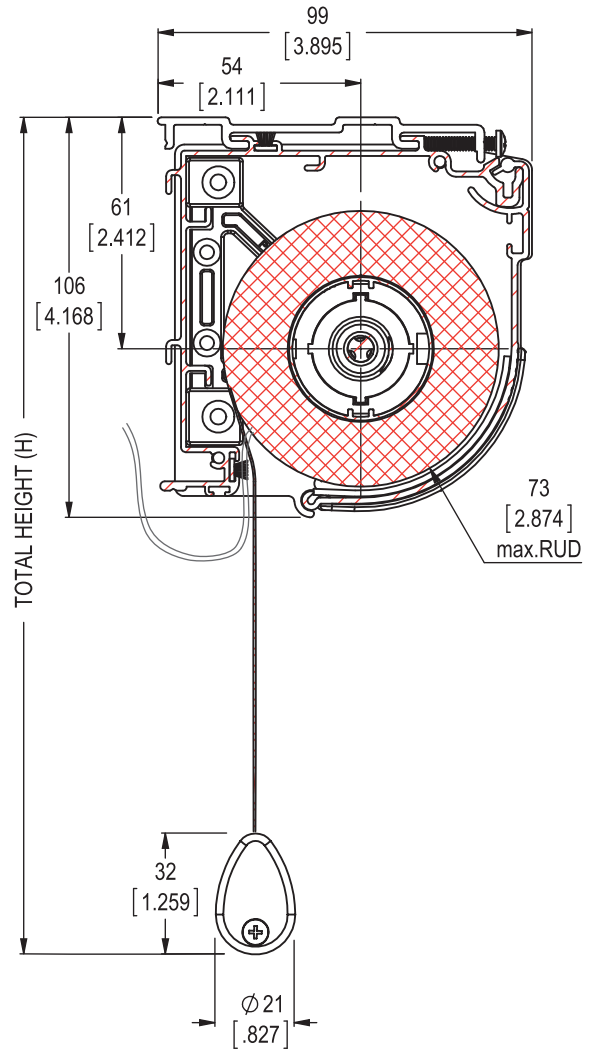
Wall mount shown

### ROLL STYLE



REGULAR ROLL

### SECTION



MODEL **TK1-C95-EM38-UQM30 RTS**

NOTE: For size limitation guidelines, please refer to our Size Limitation Detail Sheets or contact our Technical Department.

MONTREAL

T: 800.363.5930

@: info@altex.ca

TORONTO

T: 888.836.6980

@: sales@altex.ca

VANCOUVER

T: 888.980.9899

@: servicewest@altex.ca

**TEKNO<sup>®</sup> TK-1**

**ELEKTRA**      **ULTRA QUIET MOTOR**

**CASSETTE C-125**

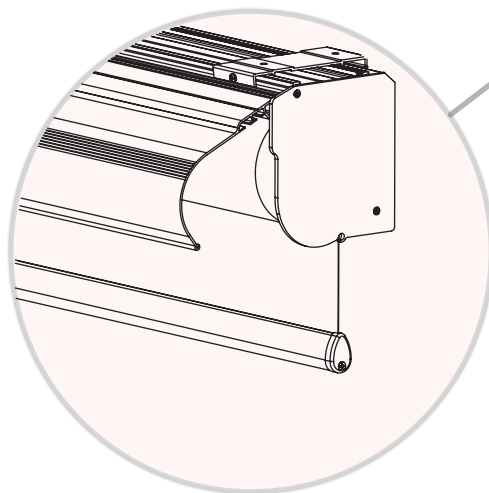
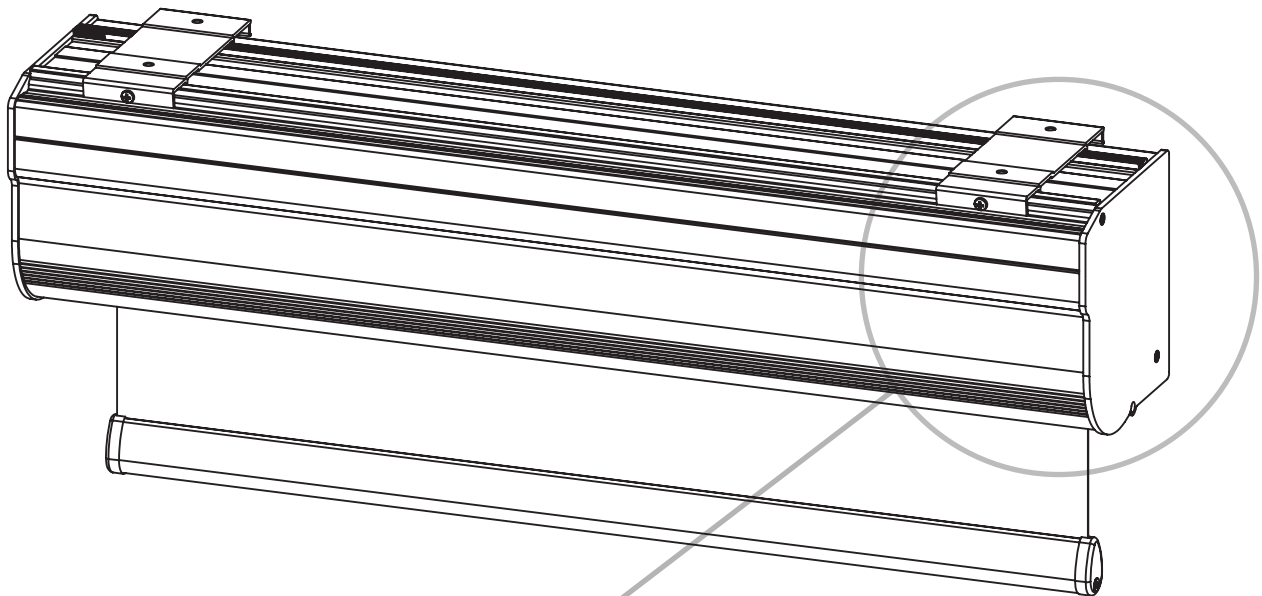
**SHADE HOLDER: N/A**

**GUIDE CABLES: N/A**

**CHANNELS: N/A**

**MOTOR TYPE:      UQM 30 RTS - 24VDC**

**UQM 30 ILT - 24VDC**

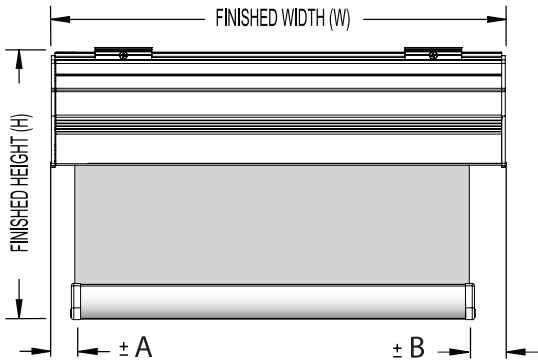


FRONT CASSETTE OPEN

**TK1-C125-EM-UQM30**

**WITH CASSETTE C-125**

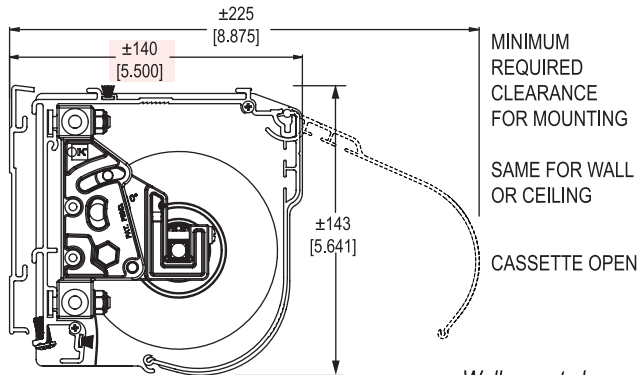
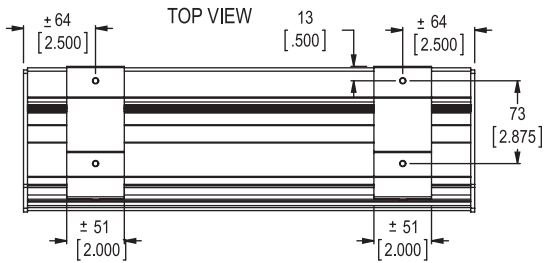
### ELEVATION



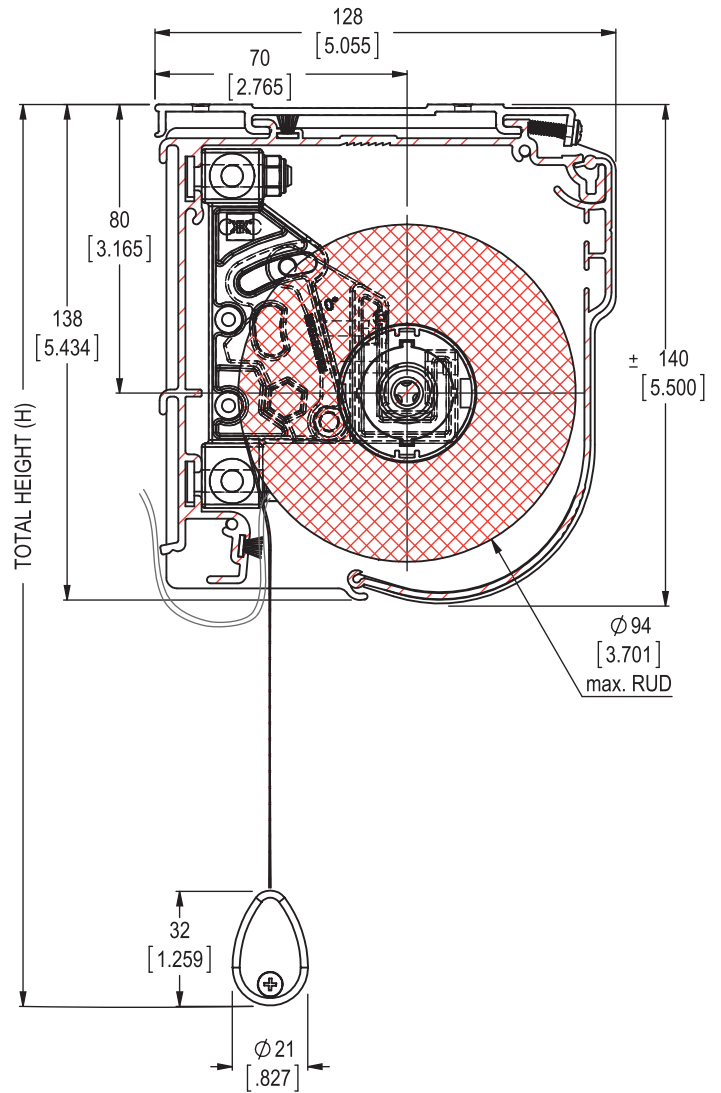
DIMENSIONS mm [inches]. TOLERANCES +/-1.5mm [0.0625"]

DIMENSION	FABRIC EDGE CLEARANCE [ ±mm / ±in] BY TUBE TYPE									
	32		38		46		53		63	
A	n/a	n/a	25	1.000	25	1.000	25	1.000	n/a	n/a
B	n/a	n/a	32	1.250	32	1.250	32	1.250	n/a	n/a

### MOUNTING



### SECTION



**MODEL** | **TK1-C125-EM38-UQM30 RTS**

### ROLL STYLE



REGULAR ROLL

NOTE: For size limitation guidelines, please refer to our Size Limitation Detail Sheets or contact our Technical Department.

MONTREAL T: 800.363.5930 @: info@altex.ca	TORONTO T: 888.836.6980 @: sales@altex.ca	VANCOUVER T: 888.980.9899 @: servicewest@altex.ca
---	---	---

**TEKNO<sup>®</sup> TK-2**

**ELEKTRA** ULTRA QUIET MOTOR

**OPEN ROLL OR-HP**

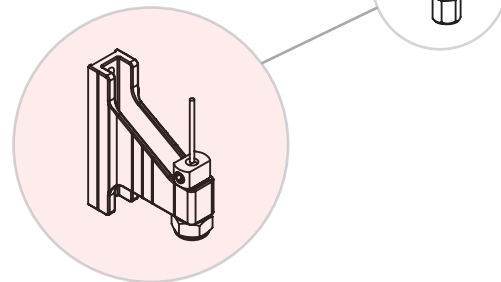
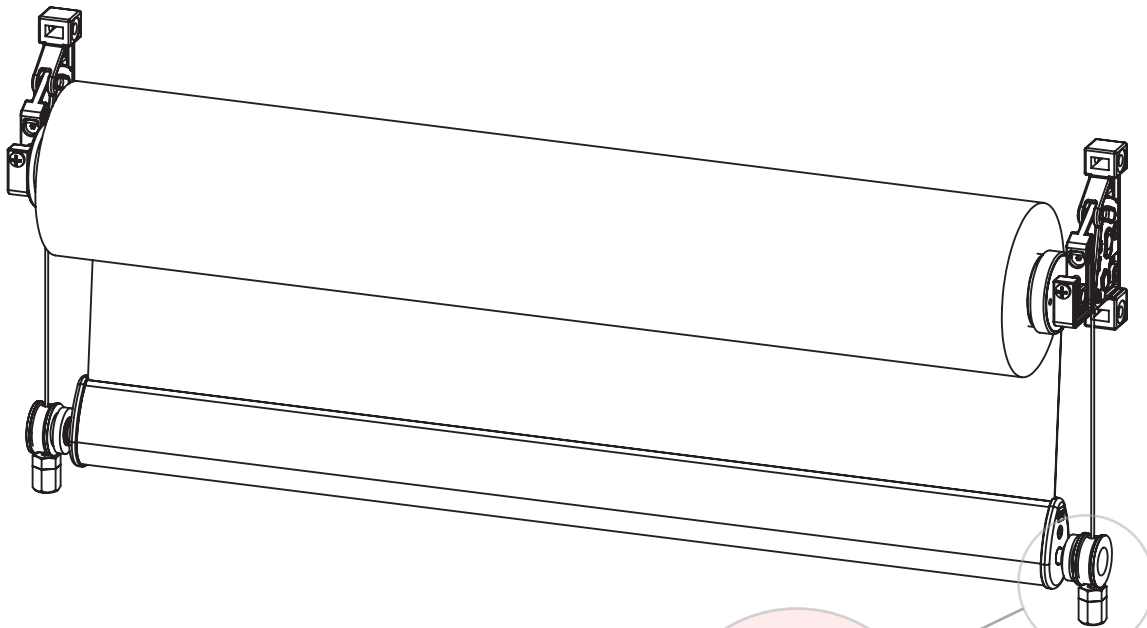
SHADE HOLDER: N/A

GUIDE CABLES: **WITH GUIDE CABLES**

CHANNELS: N/A

MOTOR TYPE: **UQM 30 RTS - 24VDC**

**UQM 30 ILT - 24VDC**

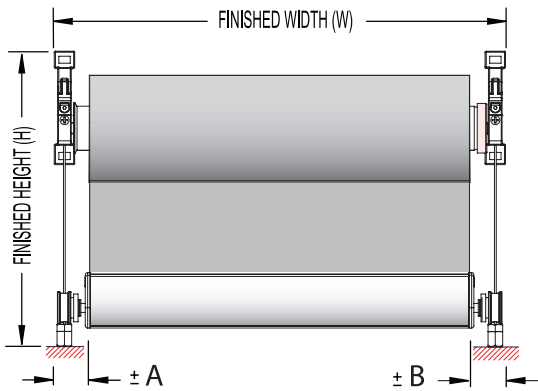


OPTIONAL WALL MOUNTED  
GUIDE CABLE ANCHORING BRACKET

**TK2-OR-HP-EM-UQM30**

**OPEN ROLL WITH "HP" BRACKET**

### ELEVATION

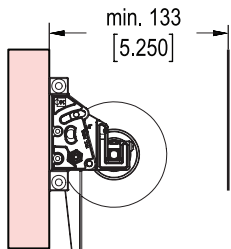


DIMENSIONS mm [inches]. TOLERANCES +/-1.5mm [0.0625"]

DIMENSION	FABRIC EDGE CLEARANCE [ ±mm / ±in] BY TUBE TYPE									
	32	38	46	53	63	32	38	46	53	63
A	n/a	n/a	32	1.250	32	1.250	32	1.250	n/a	n/a
B	n/a	n/a	32	1.250	32	1.250	32	1.250	n/a	n/a

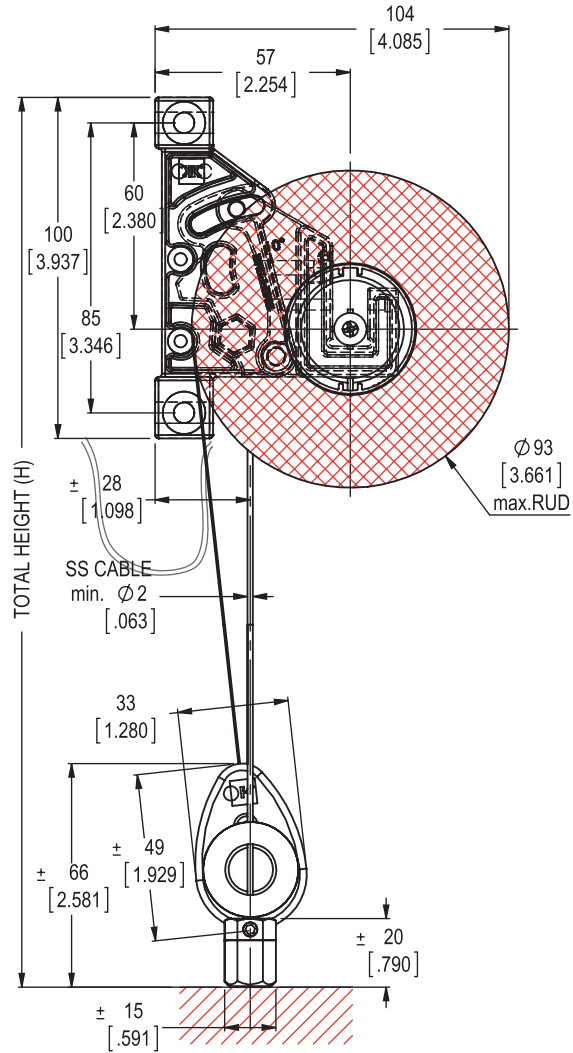
### MOUNTING

TOP VIEW



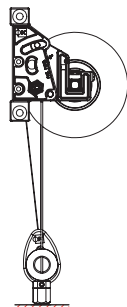
MINIMUM REQUIRED CLEARANCE

### SECTION



MODEL **TK2-OR-HP-EM38-UQM30 RTS**

### ROLL STYLE



REGULAR ROLL

NOTE: For size limitation guidelines, please refer to our Size Limitation Detail Sheets or contact our Technical Department.

MONTREAL T: 800.363.5930 @: info@altex.ca	TORONTO T: 888.836.6980 @: sales@altex.ca	VANCOUVER T: 888.980.9899 @: servicewest@altex.ca
---	---	---

**TEKNO<sup>®</sup> TK-2**

**ELEKTRA**    **ULTRA QUIET MOTOR**

**CASSETTE C-125**

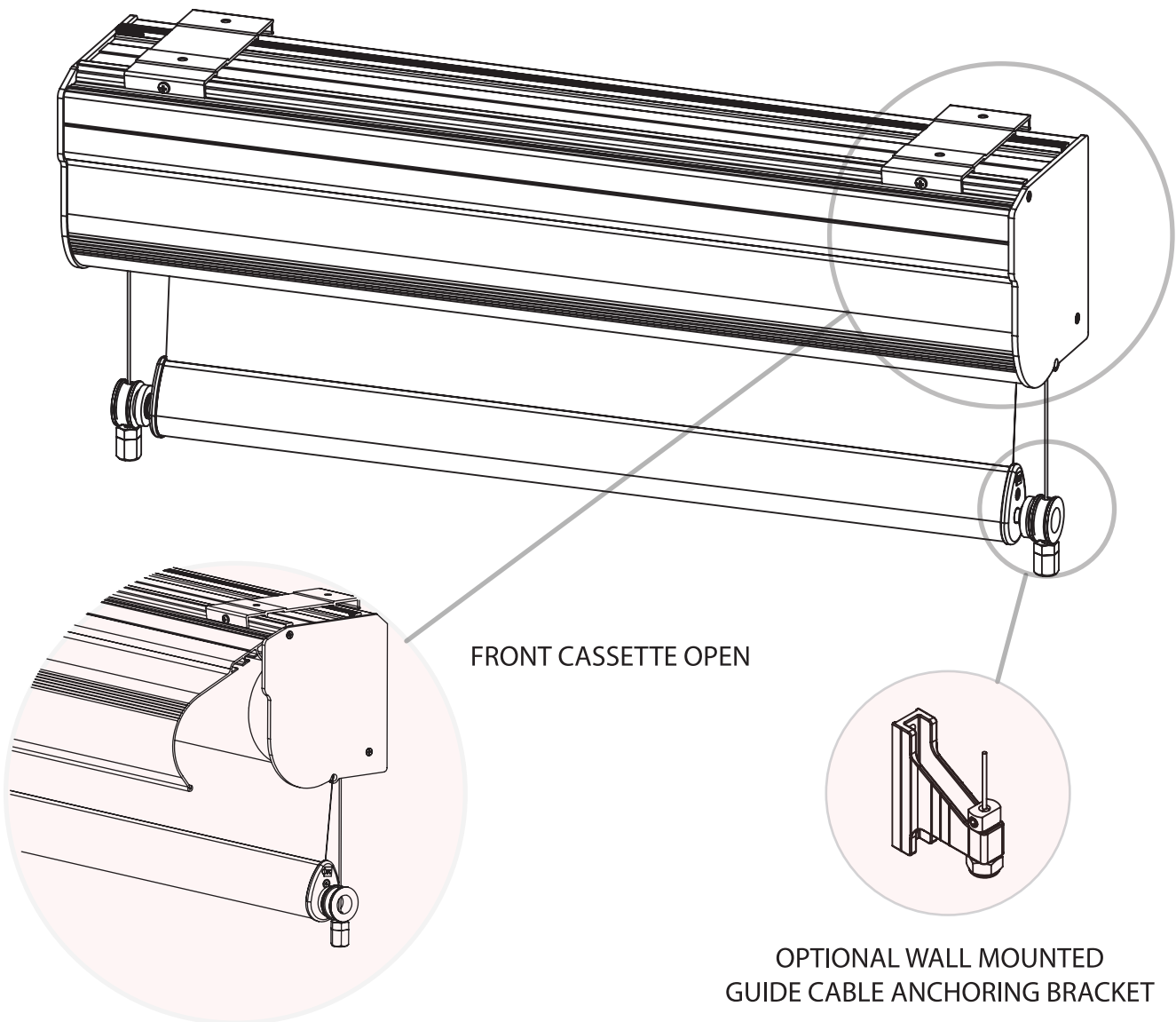
**SHADE HOLDER: N/A**

**GUIDE CABLES: WITH GUIDE CABLES**

**CHANNELS: N/A**

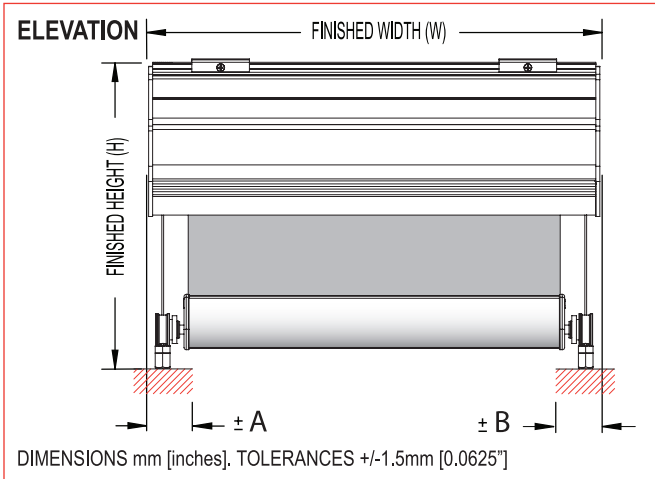
**MOTOR TYPE:    UQM 30 RTS - 24VDC**

**UQM 30 ILT - 24VDC**

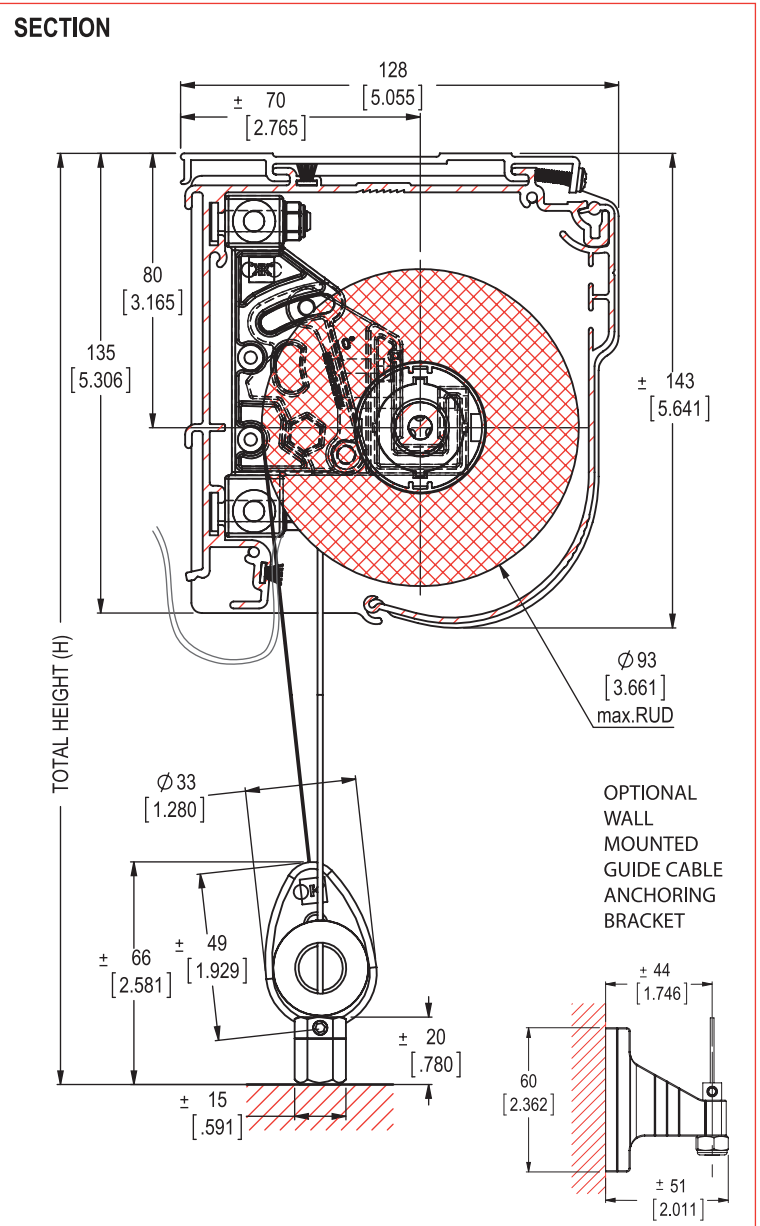
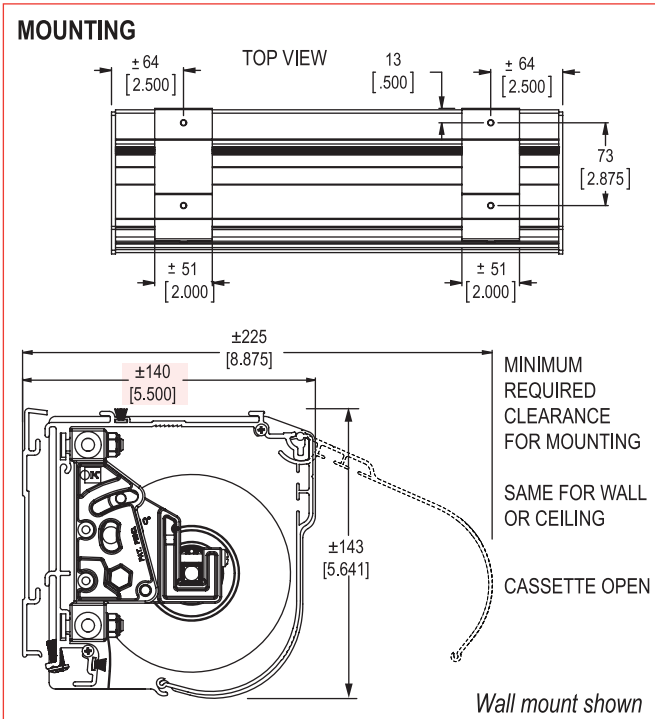


**TK2-C125-EM-UQM30**

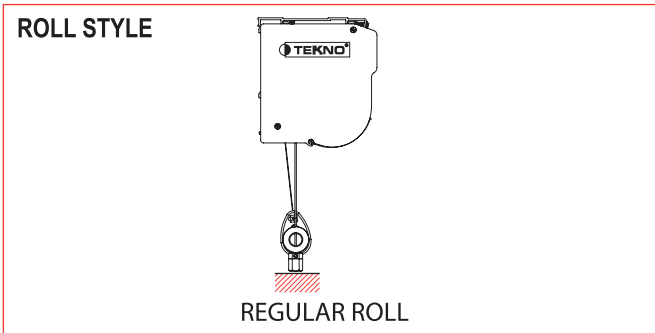
**WITH CASSETTE C-125**



DIMENSION	FABRIC EDGE CLEARANCE [ ±mm / ±in] BY TUBE TYPE									
	32	38	46	53	63	32	38	46	53	63
A	n/a	n/a	38	1.375	38	1.375	38	1.375	n/a	n/a
B	n/a	n/a	38	1.375	38	1.375	38	1.375	n/a	n/a



**MODEL** | **TK2-C125-EM38-UQM30 RTS**



*NOTE: For size limitation guidelines, please refer to our Size Limitation Detail Sheets or contact our Technical Department.*

MONTREAL T: 800.363.5930 @: info@altex.ca	TORONTO T: 888.836.6980 @: sales@altex.ca	VANCOUVER T: 888.980.9899 @: servicewest@altex.ca
---	---	---



**TEKNO<sup>®</sup> TK-3**

**ELEKTRA**    **ULTRA QUIET MOTOR**

**OPEN ROLL OR-HP**

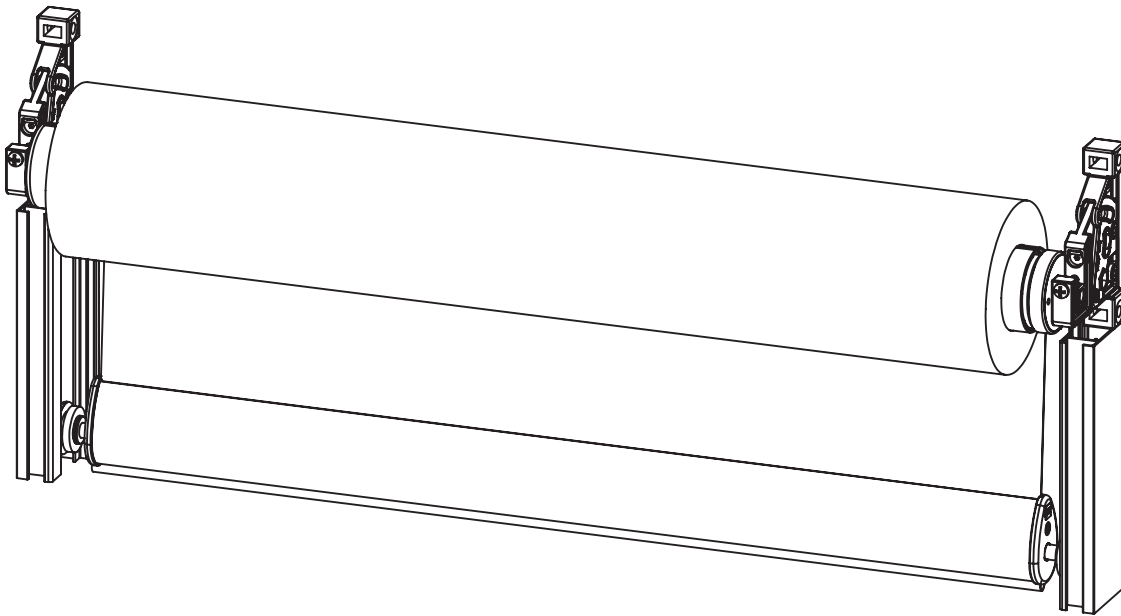
**SHADE HOLDER: N/A**

**GUIDE CABLES: N/A**

**CHANNELS: ST-3**

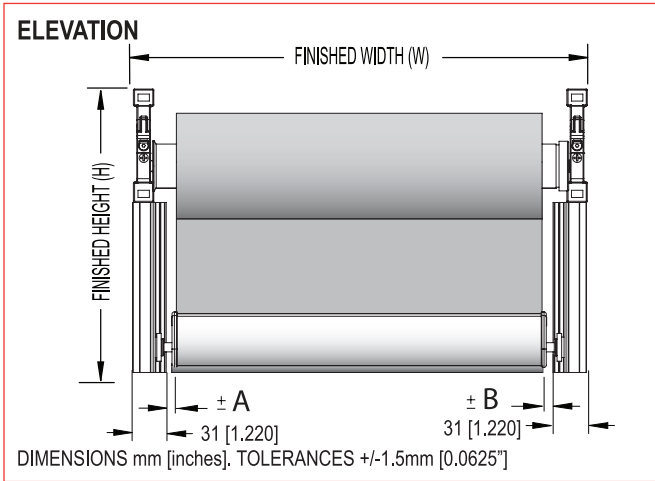
**MOTOR TYPE: UQM 30 RTS - 24VDC**

**UQM 30 ILT - 24VDC**

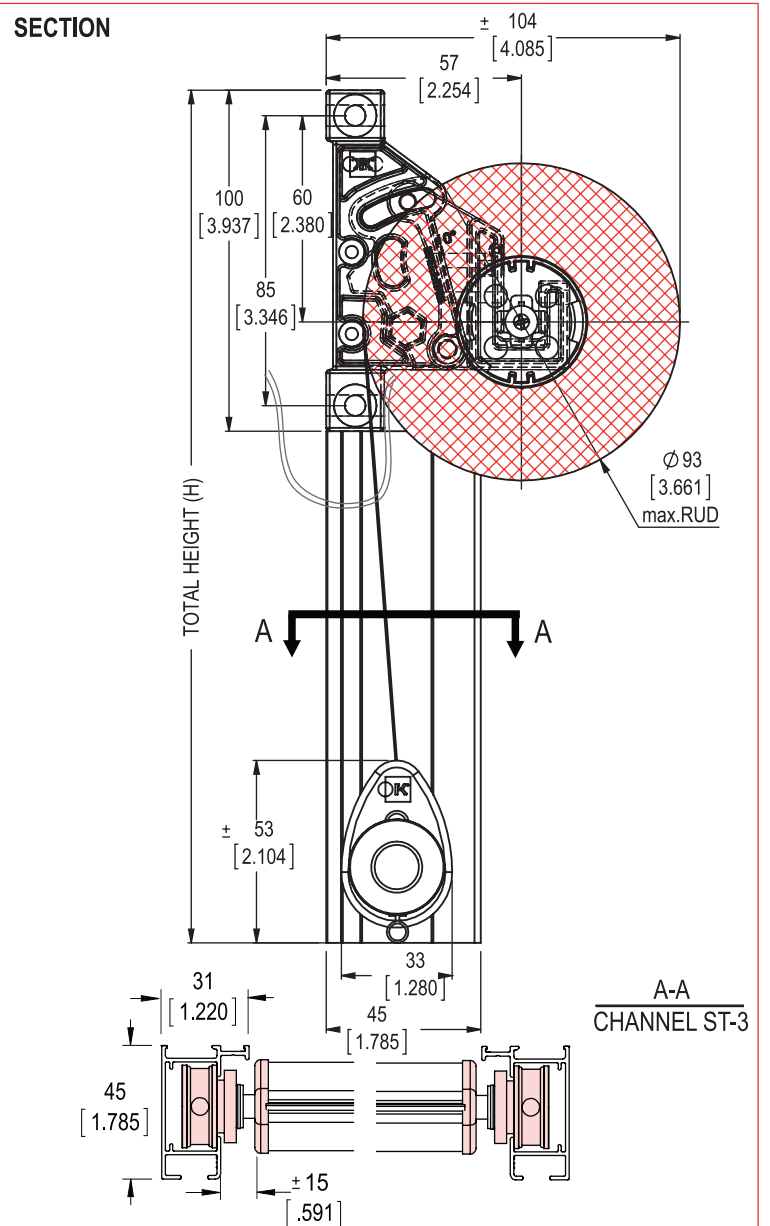
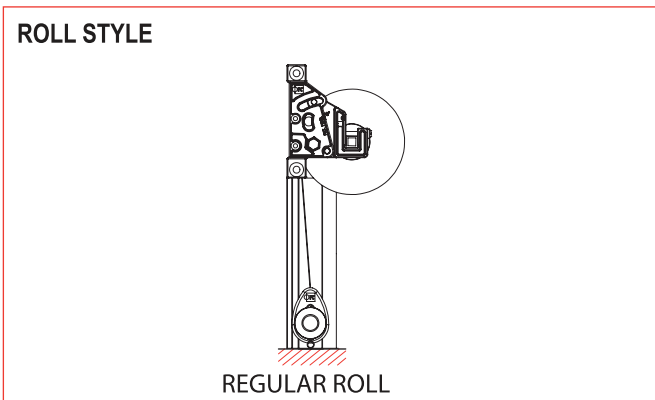
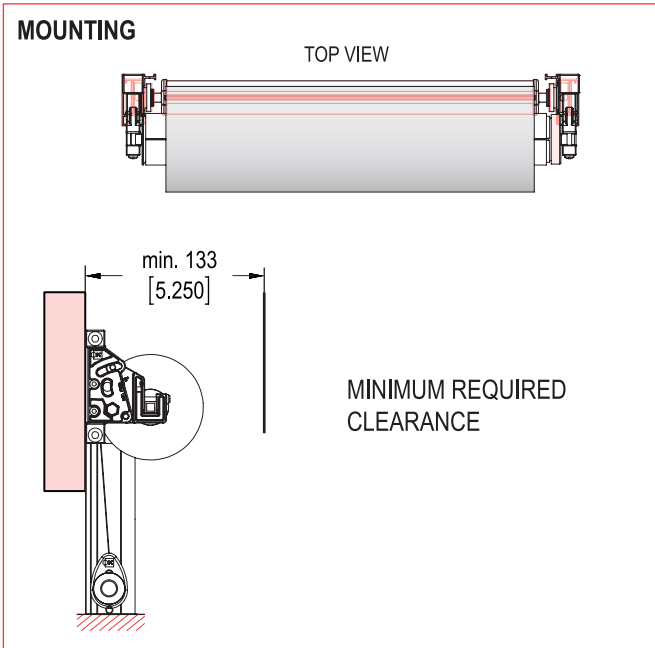


**TK3-OR-HP-EM-UQM30**

**OPEN ROLL WITH "HP" BRACKET**



DIMENSION	FABRIC EDGE CLEARANCE [ ±mm / ±in ] BY TUBE TYPE									
	32	38	46	53	63					
A	n/a	n/a	10	0.375	10	0.375	10	0.375	n/a	n/a
B	n/a	n/a	10	0.375	10	0.375	10	0.375	n/a	n/a



**MODEL** | **TK3-OR-HP-EM38-UQM30**

*NOTE: For size limitation guidelines, please refer to our Size Limitation Detail Sheets or contact our Technical Department.*

MONTREAL T: 800.363.5930 @: info@altex.ca	TORONTO T: 888.836.6980 @: sales@altex.ca	VANCOUVER T: 888.980.9899 @: servicewest@altex.ca
---	---	---

**TEKNO<sup>®</sup> TK-3**

**ELEKTRA**    **ULTRA QUIET MOTOR**

**CASSETTE C-125**

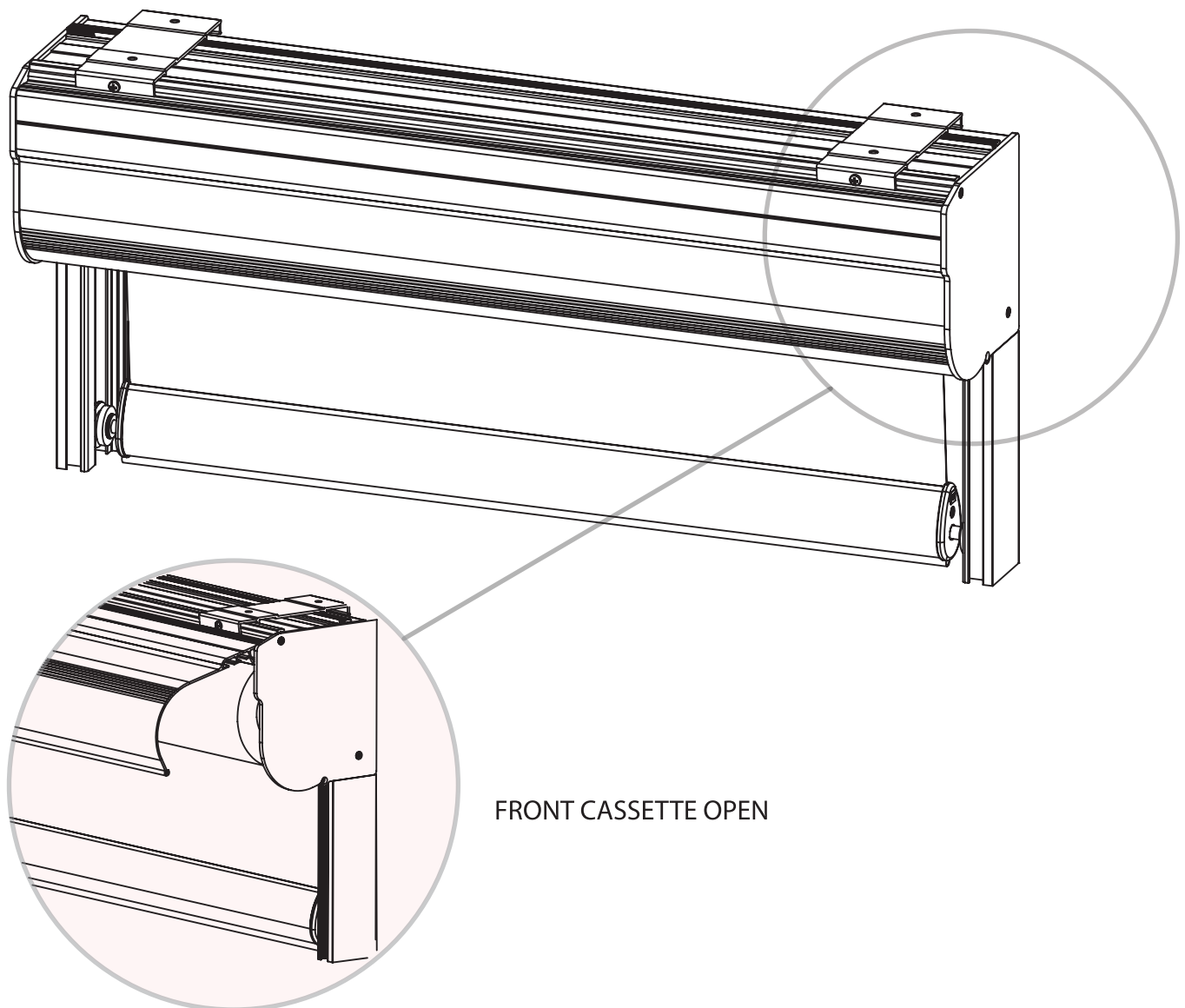
**SHADE HOLDER: N/A**

**GUIDE CABLES: N/A**

**CHANNELS: ST-3**

**MOTOR TYPE:    UQM 30 RTS - 24VDC**

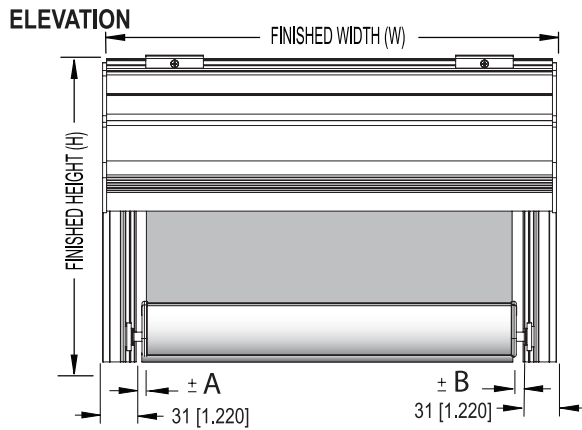
**UQM 30 ILT - 24VDC**



FRONT CASSETTE OPEN

**TK3-C125-EM-UQM30**

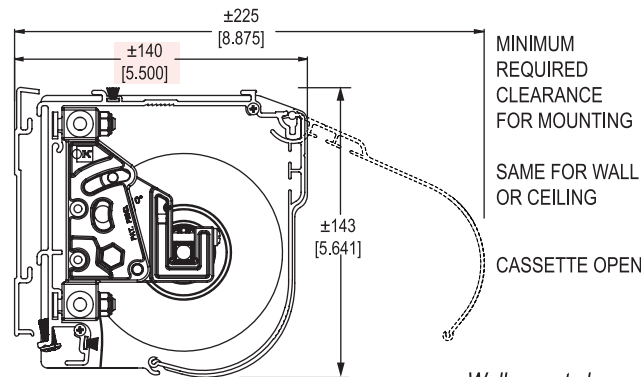
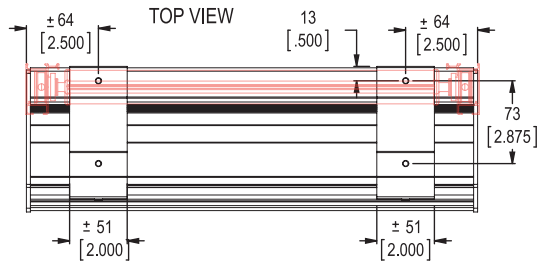
**WITH CASSETTE C-125**



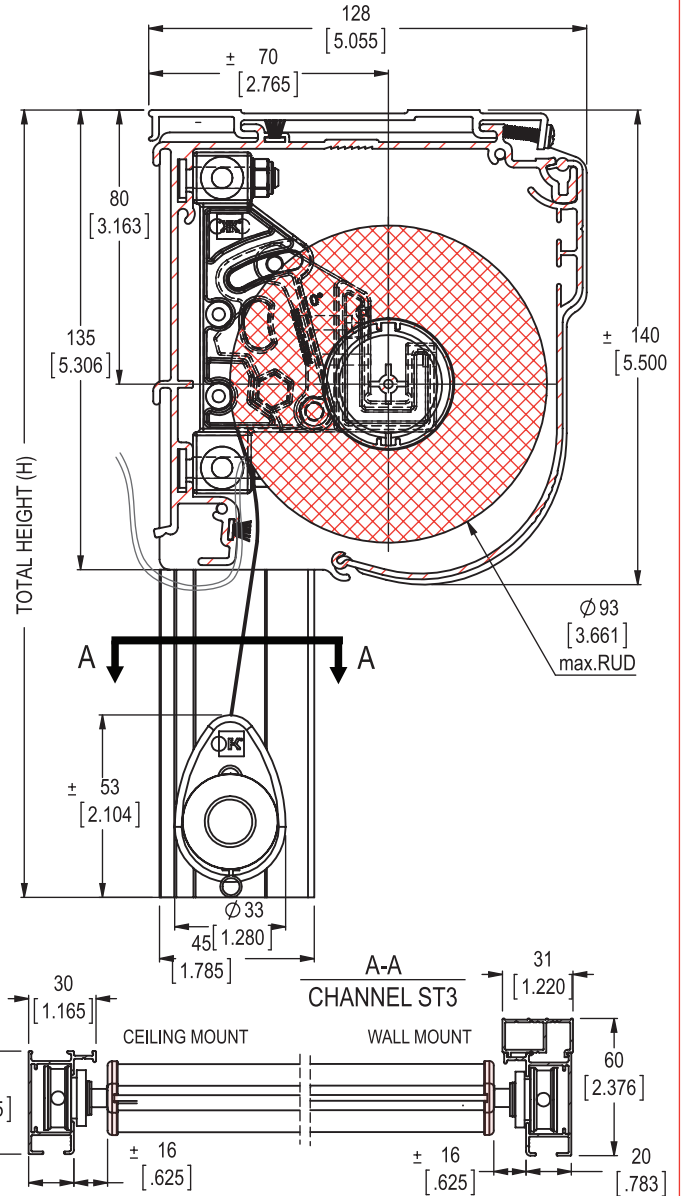
DIMENSIONS mm [inches]. TOLERANCES +/-1.5mm [0.0625"]

DIMENSION	FABRIC EDGE CLEARANCE [ ±mm / ±in ] BY TUBE TYPE									
	32		38		46		53		63	
A	n/a	n/a	10	0.375	10	0.375	10	0.375	n/a	n/a
B	n/a	n/a	10	0.375	10	0.375	10	0.375	n/a	n/a

### MOUNTING

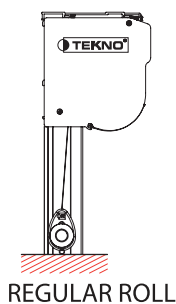


### SECTION



**MODEL**    **TK3-C125-EM38-UQM30-RTS**

### ROLL STYLE



*NOTE: For size limitation guidelines, please refer to our Size Limitation Detail Sheets or contact our Technical Department.*

MONTREAL T: 800.363.5930 @: info@altex.ca	TORONTO T: 888.836.6980 @: sales@altex.ca	VANCOUVER T: 888.980.9899 @: servicewest@altex.ca
---	---	---

**TEKNO<sup>®</sup> TK-4**

**ELEKTRA**    **ULTRA QUIET MOTOR**

**CASSETTE C-70**

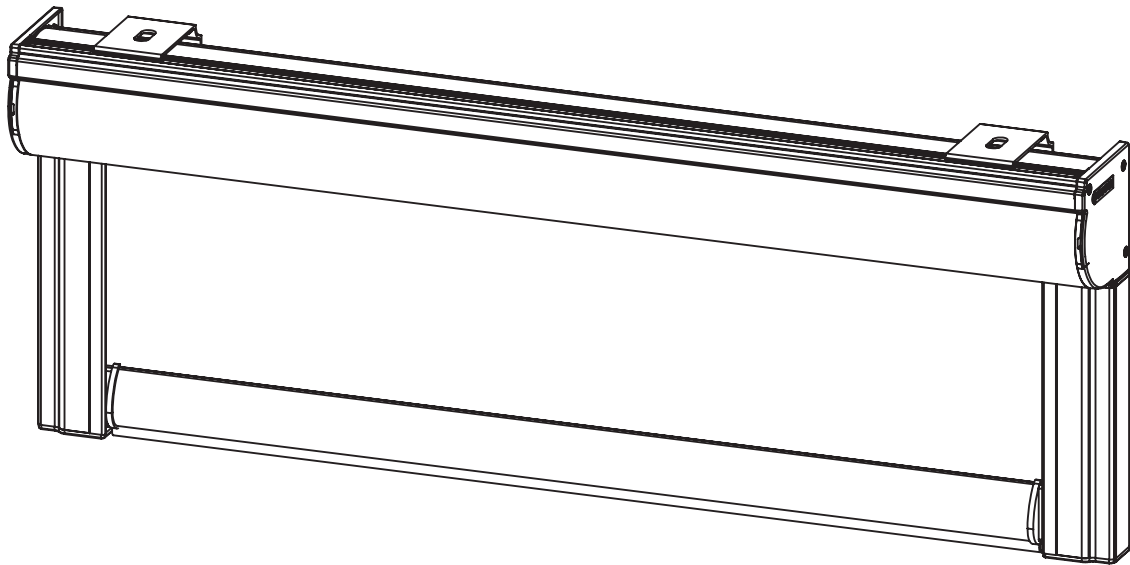
**SHADE HOLDER: N/A**

**GUIDE CABLES: N/A**

**CHANNELS: T-440**

**MOTOR TYPE:    UQM 30 RTS - 24VDC**

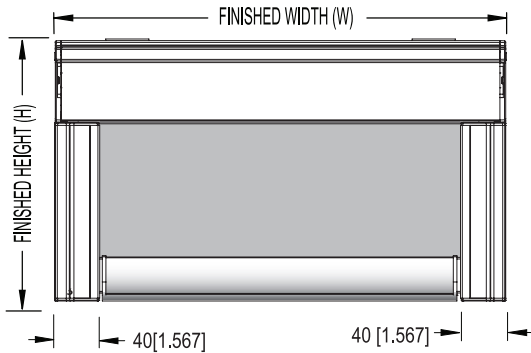
**UQM 30 ILT - 24VDC**



**TK4-C70-EM-UQM30**

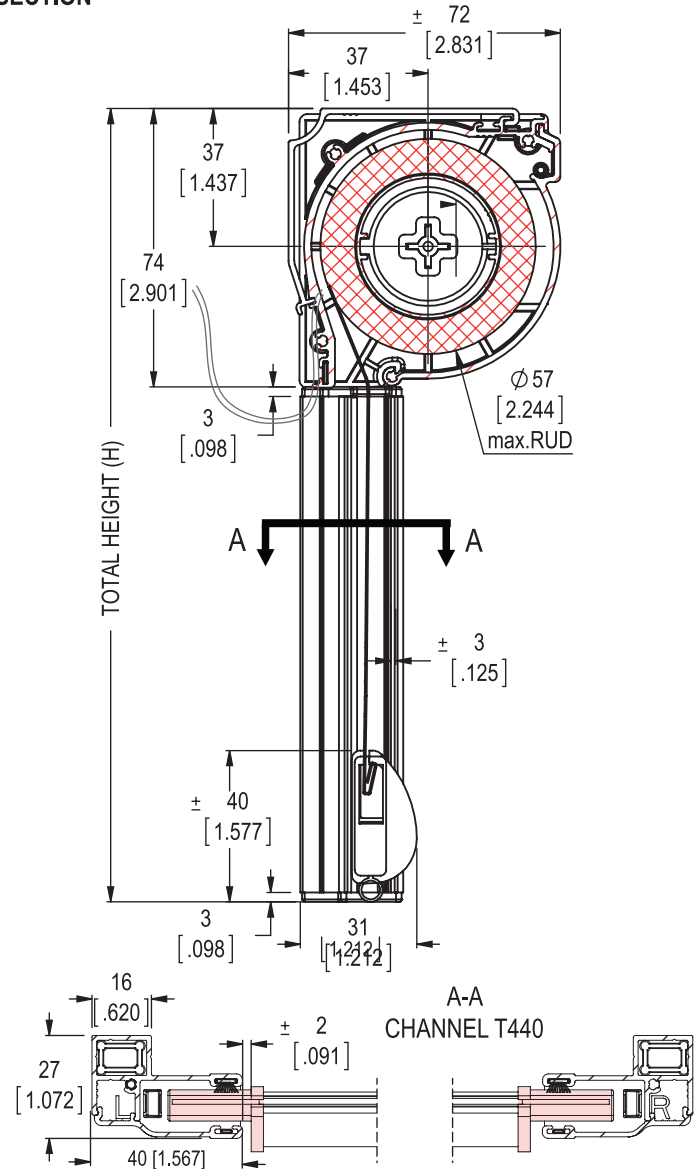
**WITH CASSETTE C-70**

### ELEVATION



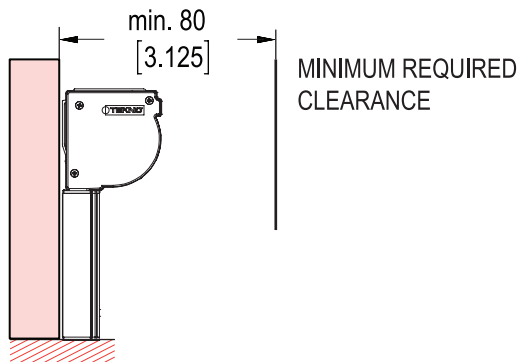
DIMENSIONS mm [inches]. TOLERANCES +/-1.5mm [0.0625"]

### SECTION



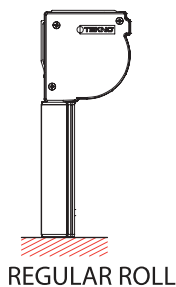
### MOUNTING

TOP VIEW



Wall mount shown

### ROLL STYLE



REGULAR ROLL

**MODEL** | **TK4-C70-EM38-UQM30 RTS**

*NOTE: For size limitation guidelines, please refer to our Size Limitation Detail Sheets or contact our Technical Department.*

<b>MONTREAL</b>	<b>TORONTO</b>	<b>VANCOUVER</b>
T: 800.363.5930	T: 888.836.6980	T: 888.980.9899
@: info@altex.ca	@: sales@altex.ca	@: servicewest@altex.ca

**TEKNO<sup>®</sup> TK-4**

**ELEKTRA**    **ULTRA QUIET MOTOR**

**CASSETTE C-95**

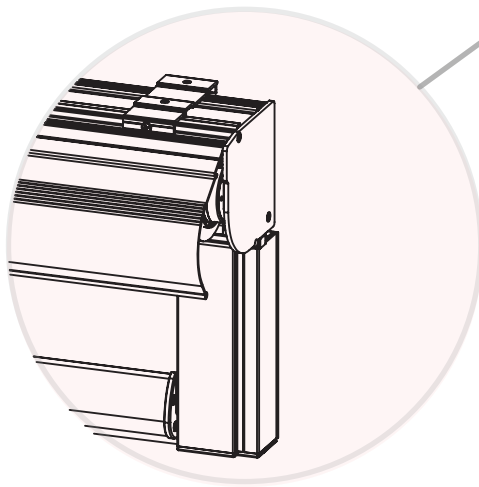
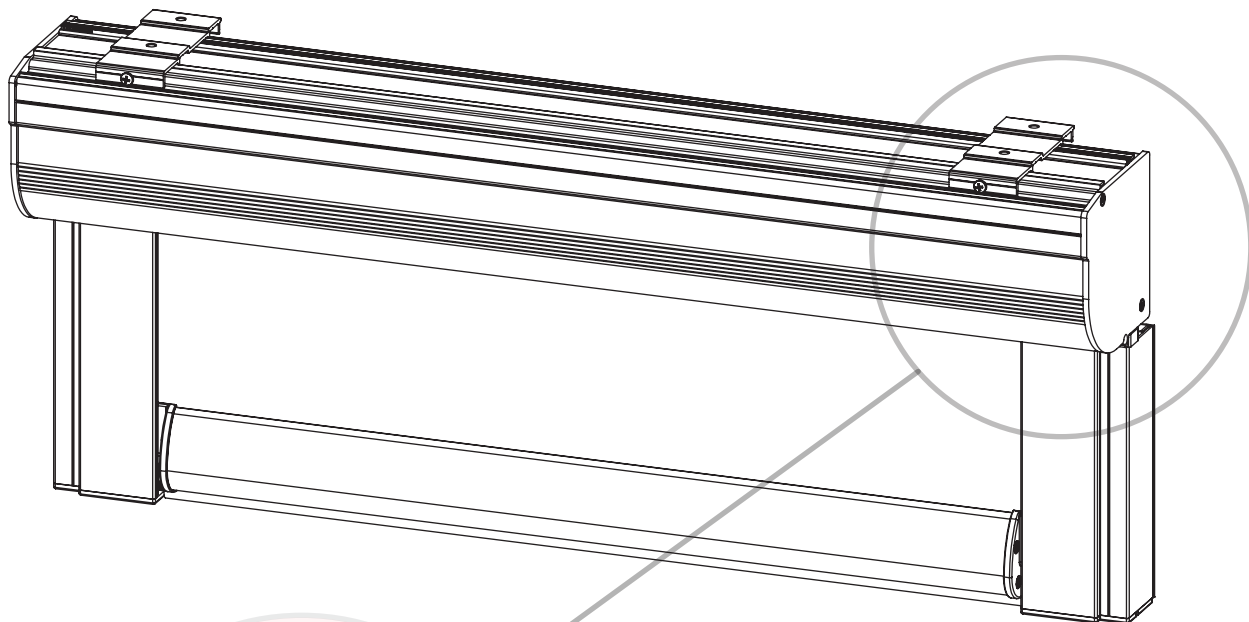
**SHADE HOLDER: N/A**

**GUIDE CABLES: N/A**

**CHANNELS: T-460**

**MOTOR TYPE:    UQM 30 RTS - 24VDC**

**UQM 30 ILT - 24VDC**

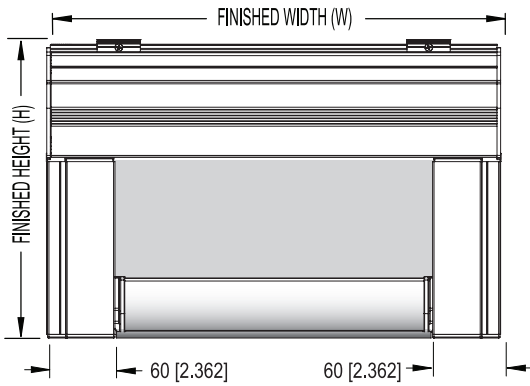


FRONT CASSETTE OPEN

**TK4-C95-EM-UQM30**

**WITH CASSETTE C-95**

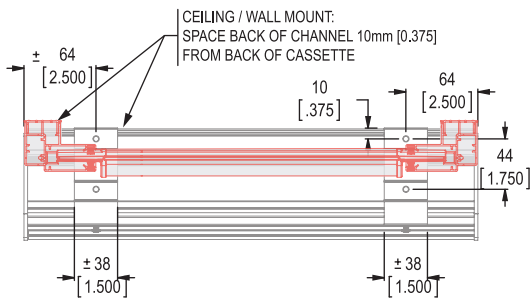
### ELEVATION



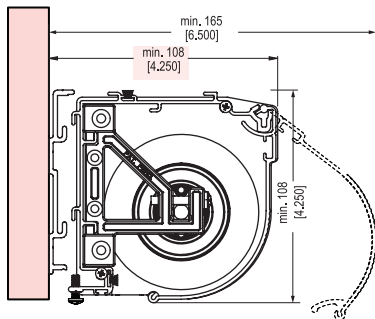
DIMENSIONS mm [inches]. TOLERANCES +/-1.5mm [0.0625"]

### MOUNTING

#### TOP VIEW



CEILING / WALL MOUNT:  
SPACE BACK OF CHANNEL 10mm [0.375]  
FROM BACK OF CASSETTE



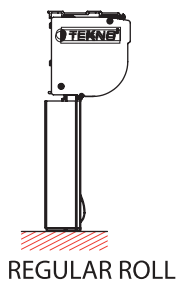
MINIMUM REQUIRED  
CLEARANCE  
FOR MOUNTING

SAME FOR WALL OR  
CEILING

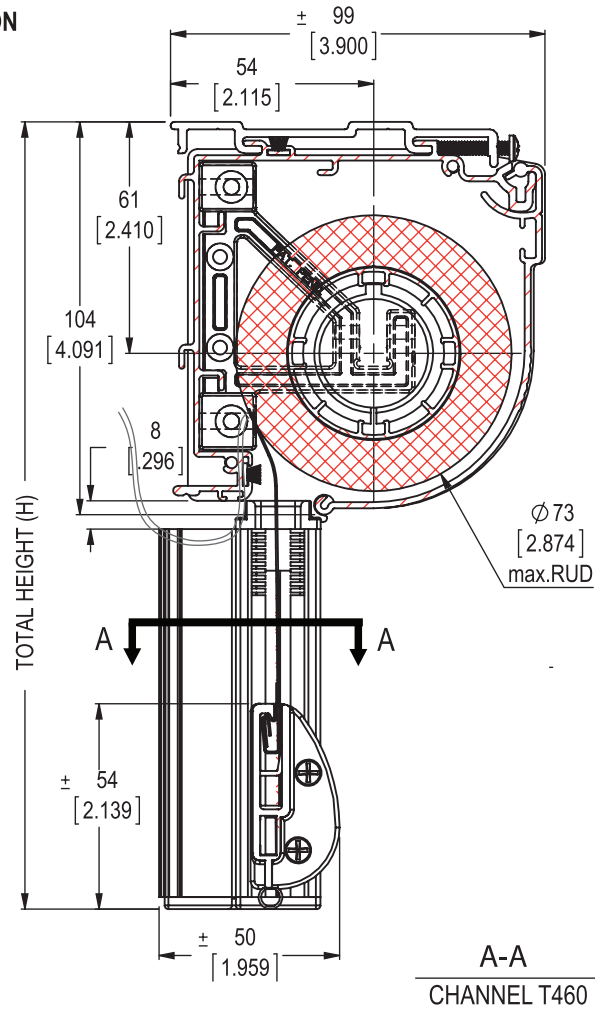
CASSETTE OPEN

Wall mount shown

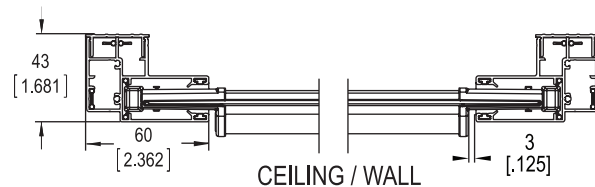
### ROLL STYLE



### SECTION



A-A  
CHANNEL T460



CEILING / WALL

MODEL **TK4-C95-EM46-UQM30**

NOTE: For size limitation guidelines, please refer to our Size Limitation Detail Sheets or contact our Technical Department.

MONTREAL

T: 800.363.5930

@: info@altex.ca

TORONTO

T: 888.836.6980

@: sales@altex.ca

VANCOUVER

T: 888.980.9899

@: servicewest@altex.ca



**TEKNO<sup>®</sup> TK-4**

**ELEKTRA**    **ULTRA QUIET MOTOR**

**CASSETTE C-125**

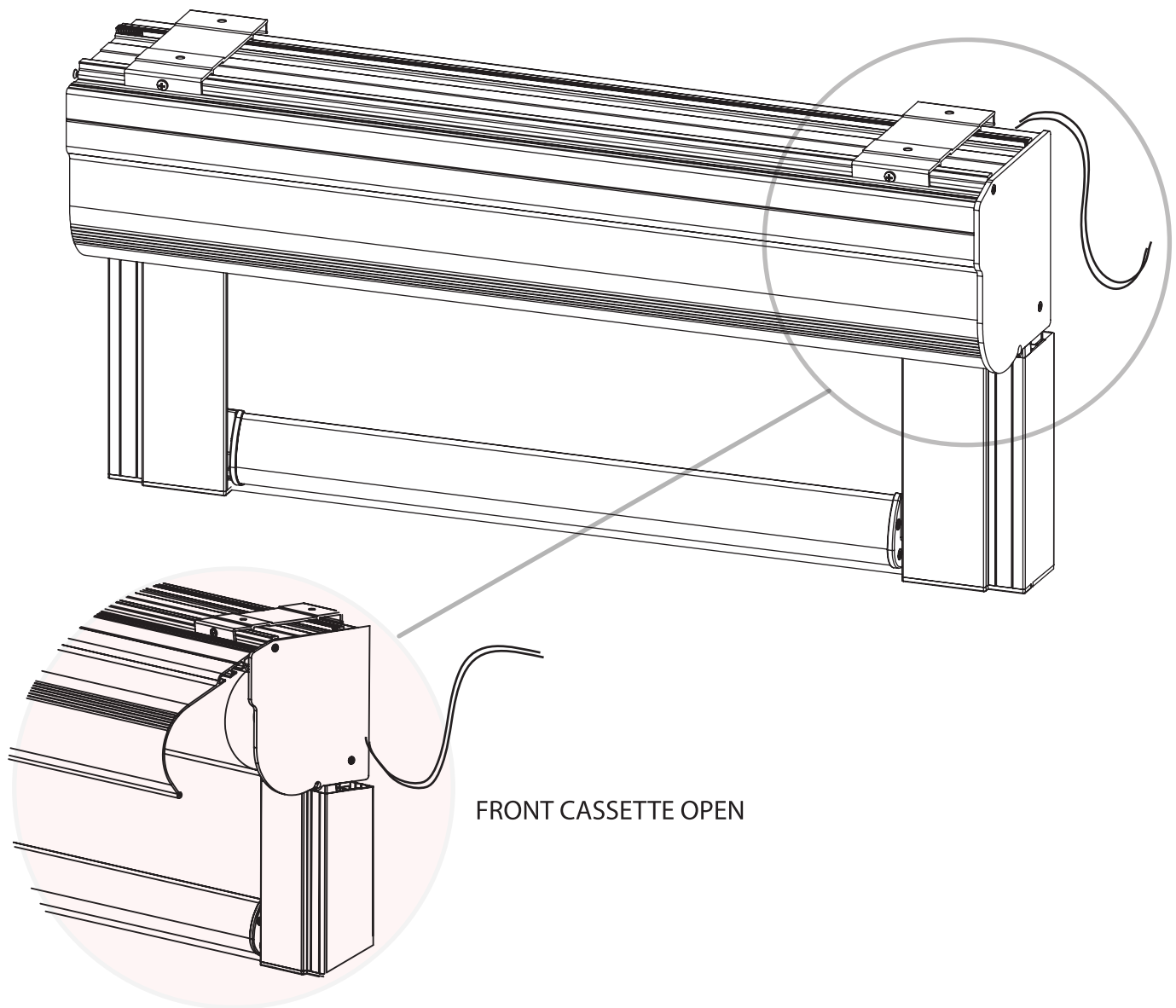
**SHADE HOLDER: N/A**

**GUIDE CABLES: N/A**

**CHANNELS: T-480**

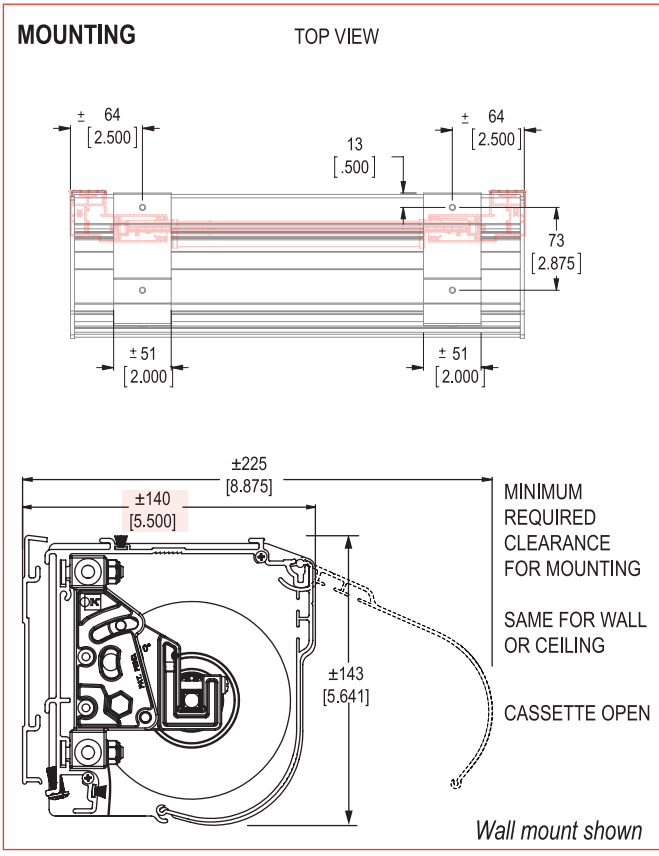
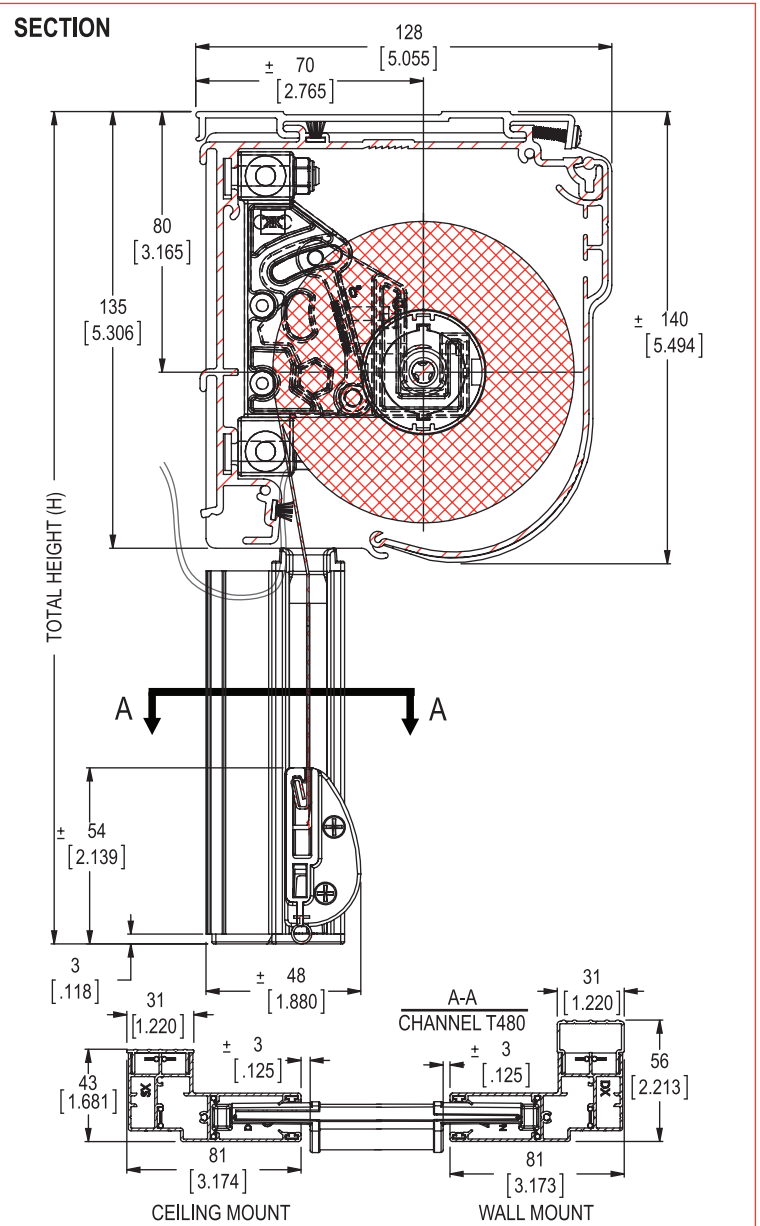
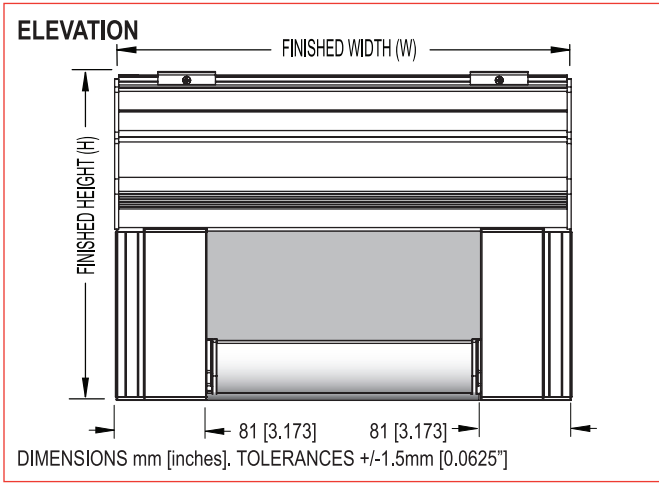
**MOTOR TYPE:    UQM 30 RTS - 24VDC**

**UQM 30 ILT - 24VDC**

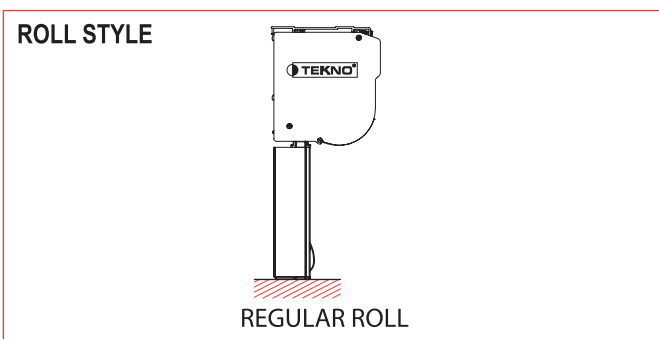


**TK4-C125-EM-UQM30**

**WITH CASSETTE C-125**



**MODEL TK4-C125-EM38-UQM30**



*NOTE: For size limitation guidelines, please refer to our Size Limitation Detail Sheets or contact our Technical Department.*

MONTREAL T: 800.363.5930 @: info@altex.ca	TORONTO T: 888.836.6980 @: sales@altex.ca	VANCOUVER T: 888.980.9899 @: servicewest@altex.ca
---	---	---

TEKNO<sup>®</sup> TK-1

ELEKTRA ULTRA QUIET MOTOR

OPEN ROLL OR-HP

SHADE HOLDER: N/A

GUIDE CABLES: N/A

CHANNELS: N/A

MOTOR TYPE: UQM 40 - 120VAC

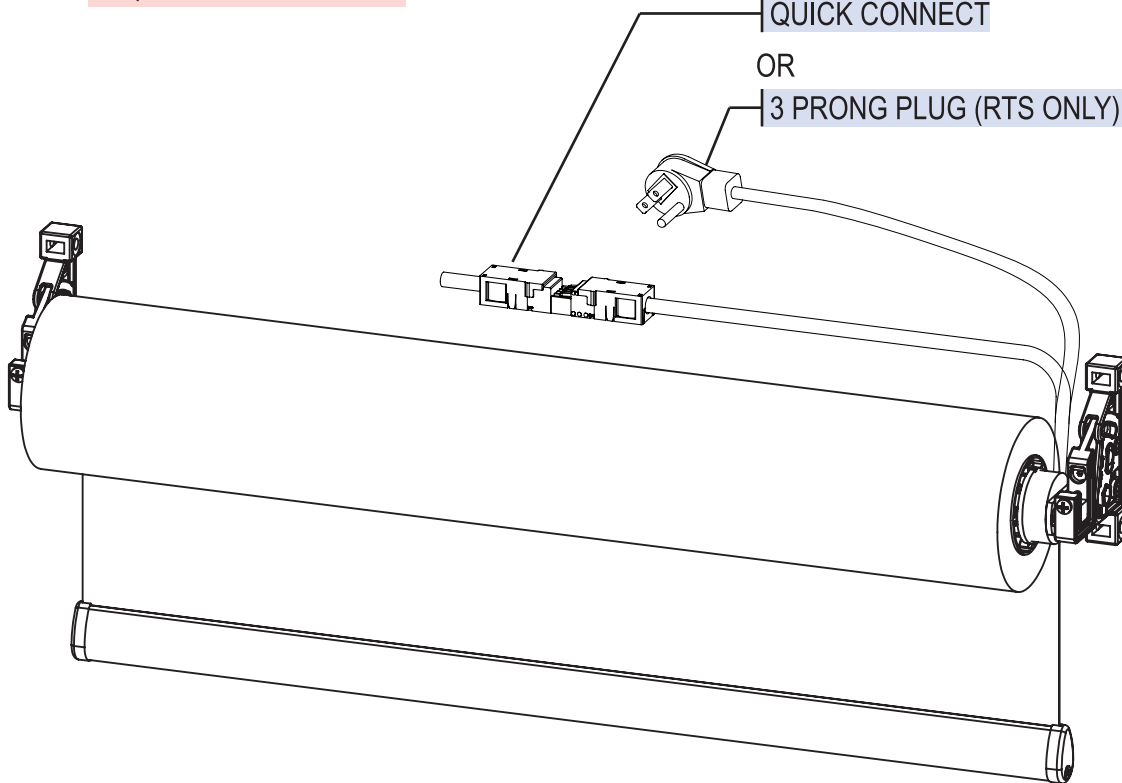
UQM 40 RTS - 120VAC

AVAILABLE IN :

QUICK CONNECT

OR

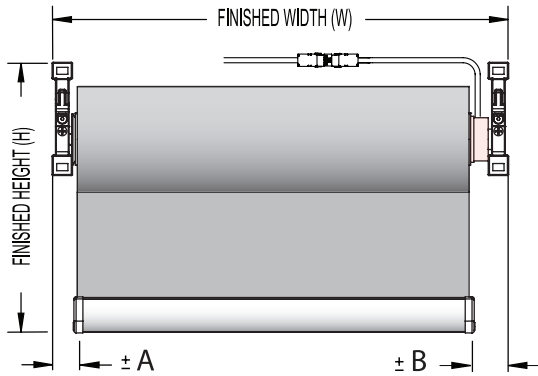
3 PRONG PLUG (RTS ONLY)



**TK1-OR-HP-EM-UQM40**

**OPEN ROLL WITH "HP" BRACKET**

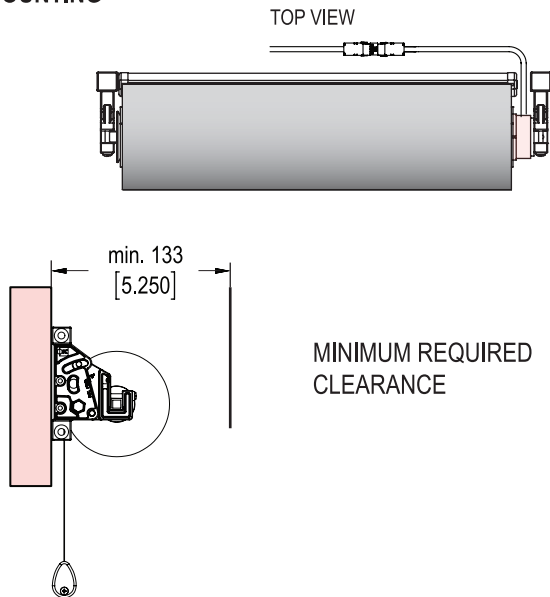
### ELEVATION



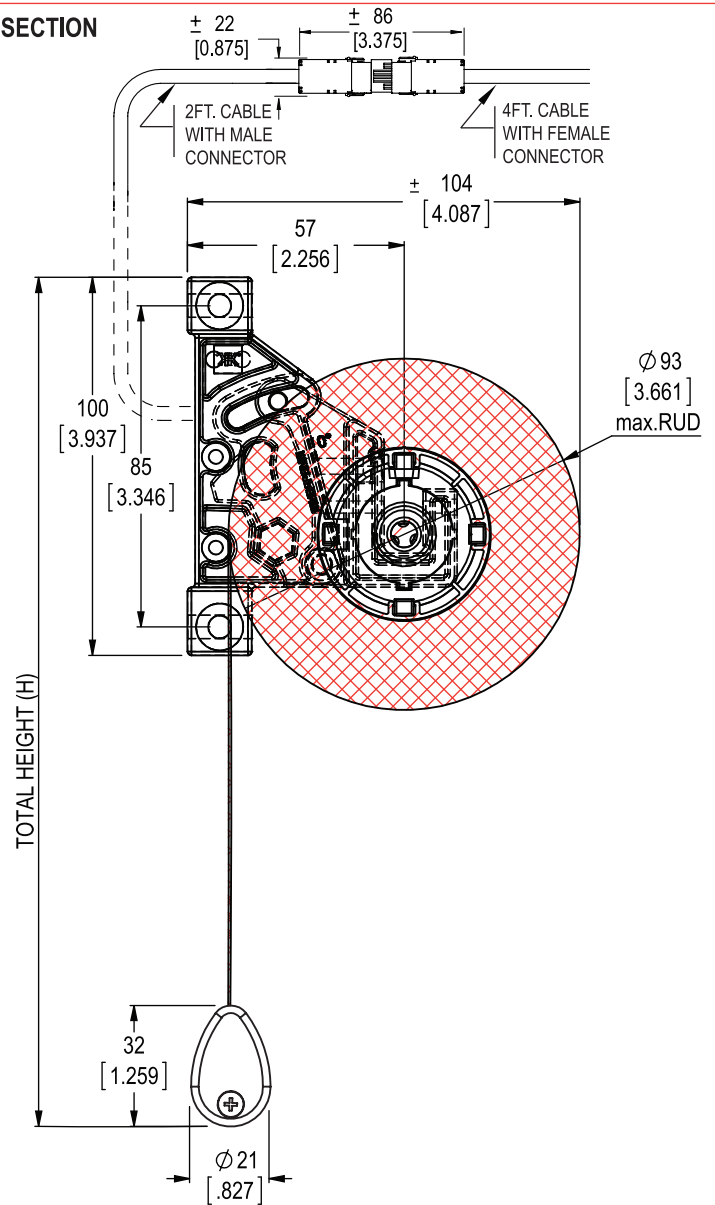
DIMENSIONS mm [inches]. TOLERANCES +/-1.5mm [0.0625"]

DIMENSION	FABRIC EDGE CLEARANCE [ ±mm / ±in ] BY TUBE TYPE									
	32	38	46	53	63	32	38	46	53	63
A	n/a	n/a	n/a	n/a	22	0.875	22	0.875	n/a	n/a
B	n/a	n/a	n/a	n/a	35	1.375	35	1.375	n/a	n/a

### MOUNTING

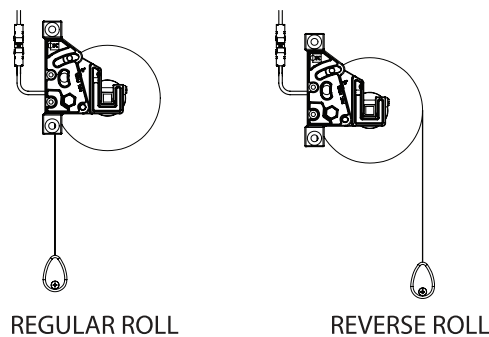


### SECTION



MODEL **TK1-OR-HP-EM46-UQM40 RTS**

### ROLL STYLE



NOTE: For size limitation guidelines, please refer to our Size Limitation Detail Sheets or contact our Technical Department.

MONTREAL T: 800.363.5930 @: info@altex.ca	TORONTO T: 888.836.6980 @: sales@altex.ca	VANCOUVER T: 888.980.9899 @: servicewest@altex.ca
---	---	---

**TEKNO<sup>®</sup> TK-1**

**ELEKTRA**      **ULTRA QUIET MOTOR**

**CASSETTE C-95**

**SHADE HOLDER: N/A**

**GUIDE CABLES: N/A**

**CHANNELS: N/A**

**MOTOR TYPE:    UQM 40 - 120VAC**

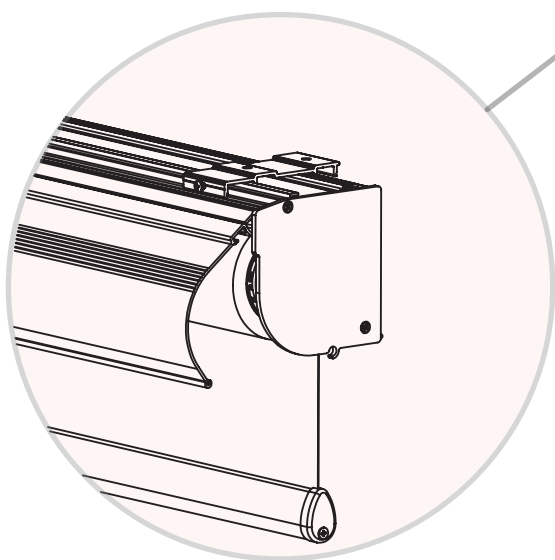
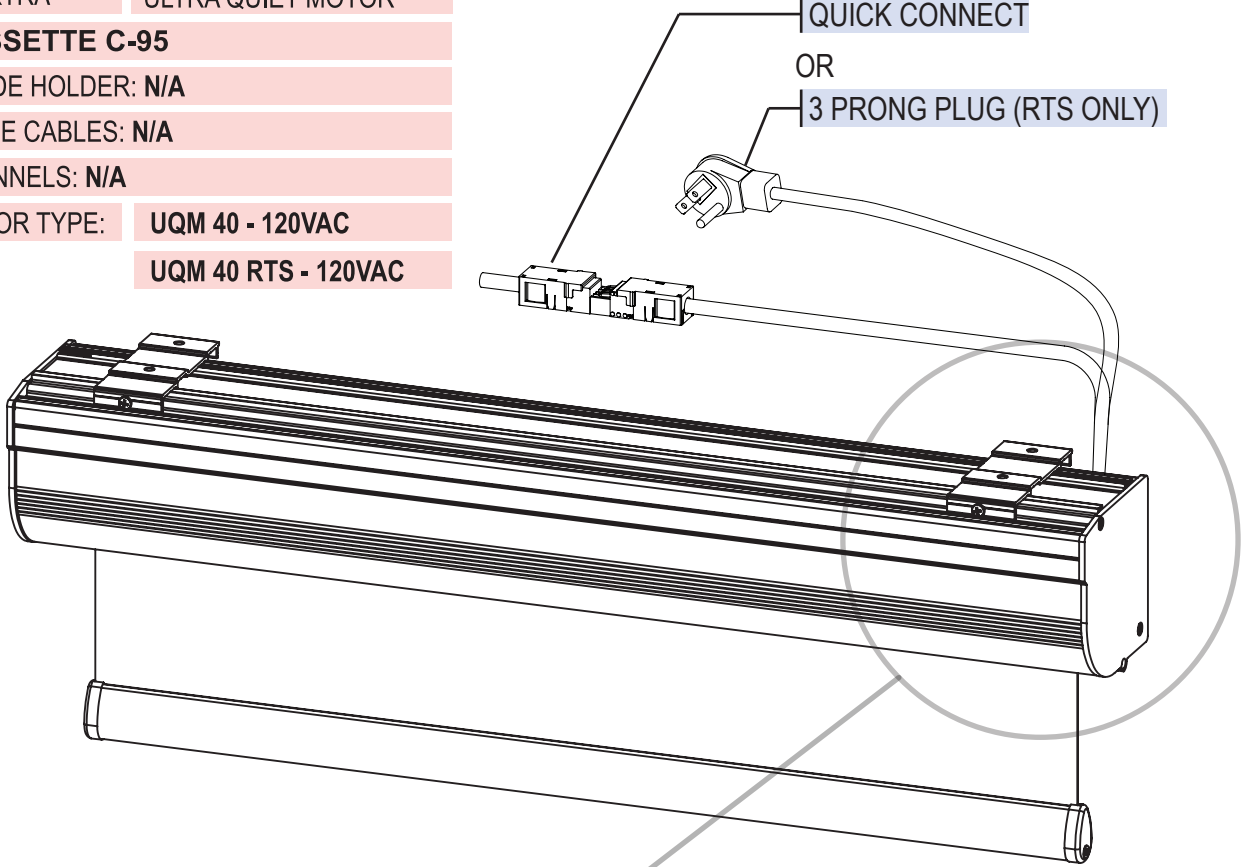
**UQM 40 RTS - 120VAC**

AVAILABLE IN :

**QUICK CONNECT**

OR

**3 PRONG PLUG (RTS ONLY)**

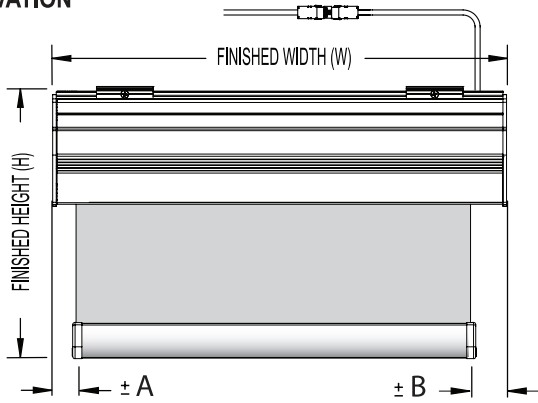


FRONT CASSETTE OPEN

**TK1-C95-EM-UQM30**

**WITH CASSETTE C-95**

### ELEVATION

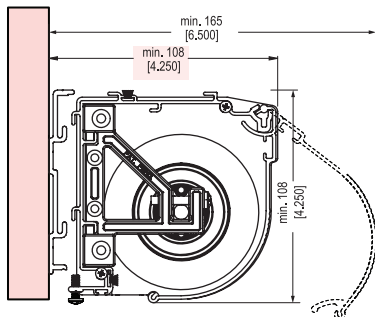
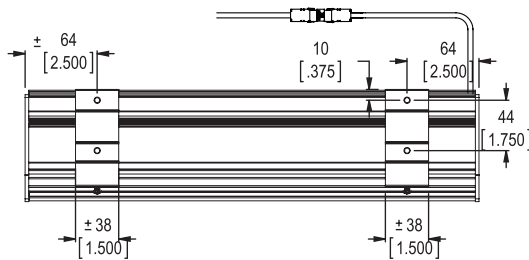


DIMENSIONS mm [inches]. TOLERANCES +/-1.5mm [0.0625"]

DIMENSION	FABRIC EDGE CLEARANCE [ ±mm / ±in] BY TUBE TYPE									
	32		38		46		53		63	
A	n/a	n/a	n/a	n/a	22	0.875	22	0.875	n/a	n/a
B	n/a	n/a	n/a	n/a	35	1.375	35	1.375	n/a	n/a

### MOUNTING

#### TOP VIEW



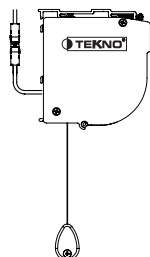
MINIMUM REQUIRED CLEARANCE FOR MOUNTING

SAME FOR WALL OR CEILING

CASSETTE OPEN

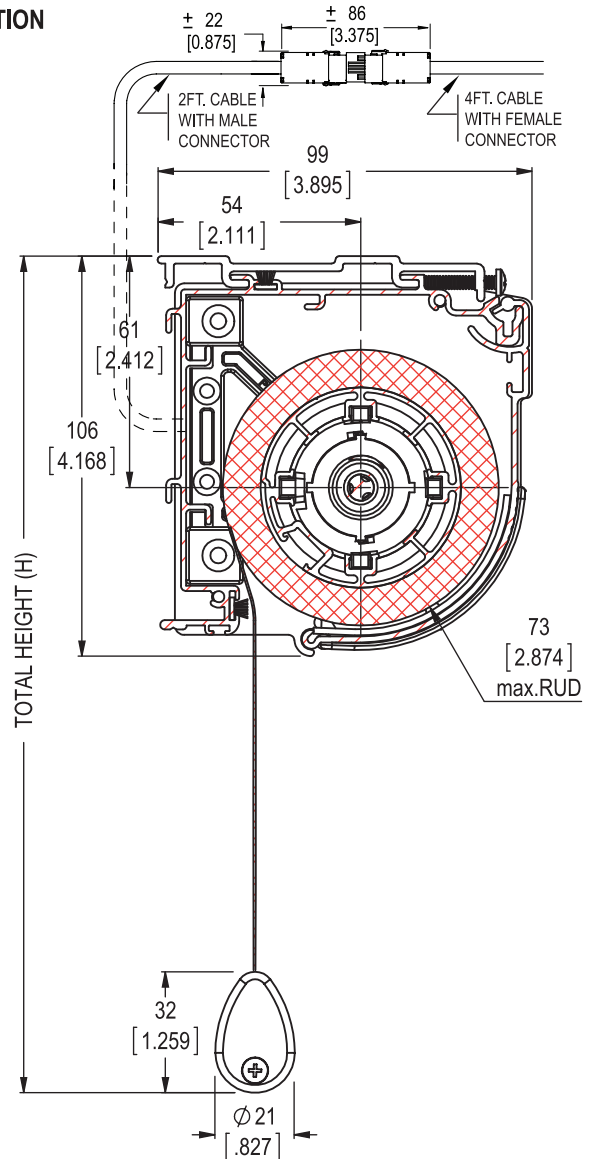
Wall mount shown

### ROLL STYLE



REGULAR ROLL

### SECTION



NOTE: For applications with Tube 53, please contact Technical Department.

**MODEL | TK1-C95-EM53-UQM40 RTS**

NOTE: For size limitation guidelines, please refer to our Size Limitation Detail Sheets or contact our Technical Department.

MONTREAL T: 800.363.5930 @: info@altex.ca	TORONTO T: 888.836.6980 @: sales@altex.ca	VANCOUVER T: 888.980.9899 @: servicewest@altex.ca
---	---	---

**TEKNO<sup>®</sup> TK-1**

**ELEKTRA**      **ULTRA QUIET MOTOR**

**CASSETTE C-125**

**SHADE HOLDER: N/A**

**GUIDE CABLES: N/A**

**CHANNELS: N/A**

**MOTOR TYPE:    UQM 40 - 120VAC**

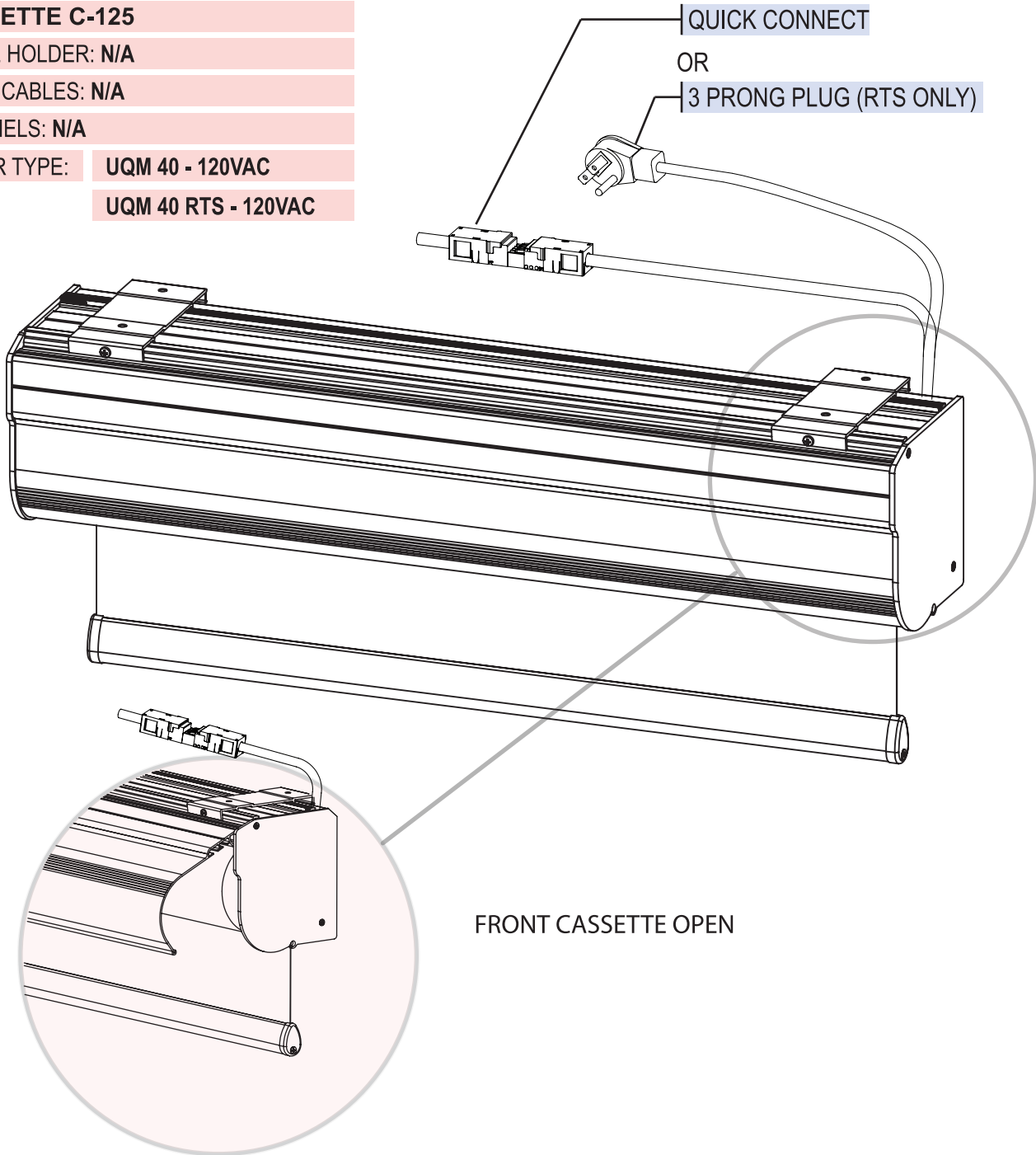
**UQM 40 RTS - 120VAC**

AVAILABLE IN :

**QUICK CONNECT**

OR

**3 PRONG PLUG (RTS ONLY)**

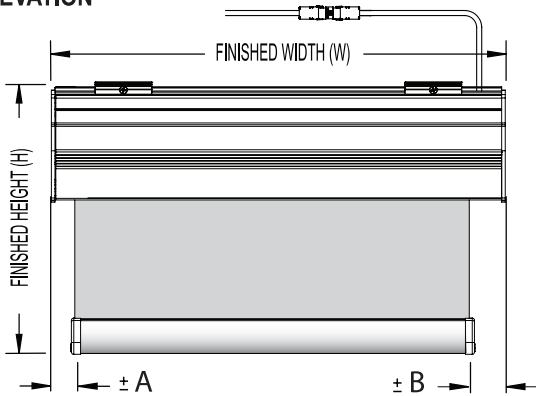


FRONT CASSETTE OPEN

**TK1-C125-EM-UQM40**

**WITH CASSETTE C-125**

### ELEVATION

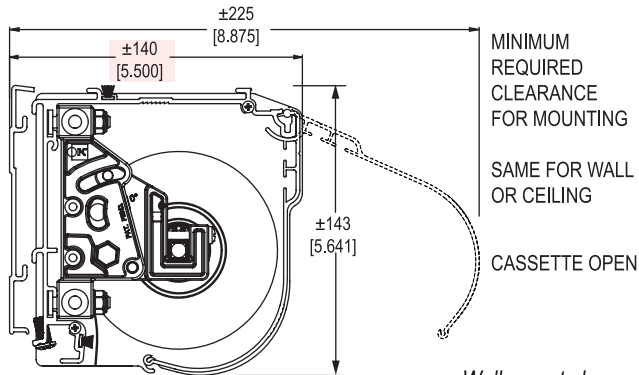
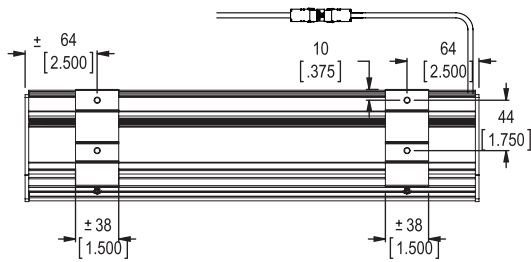


DIMENSIONS mm [inches]. TOLERANCES +/-1.5mm [0.0625"]

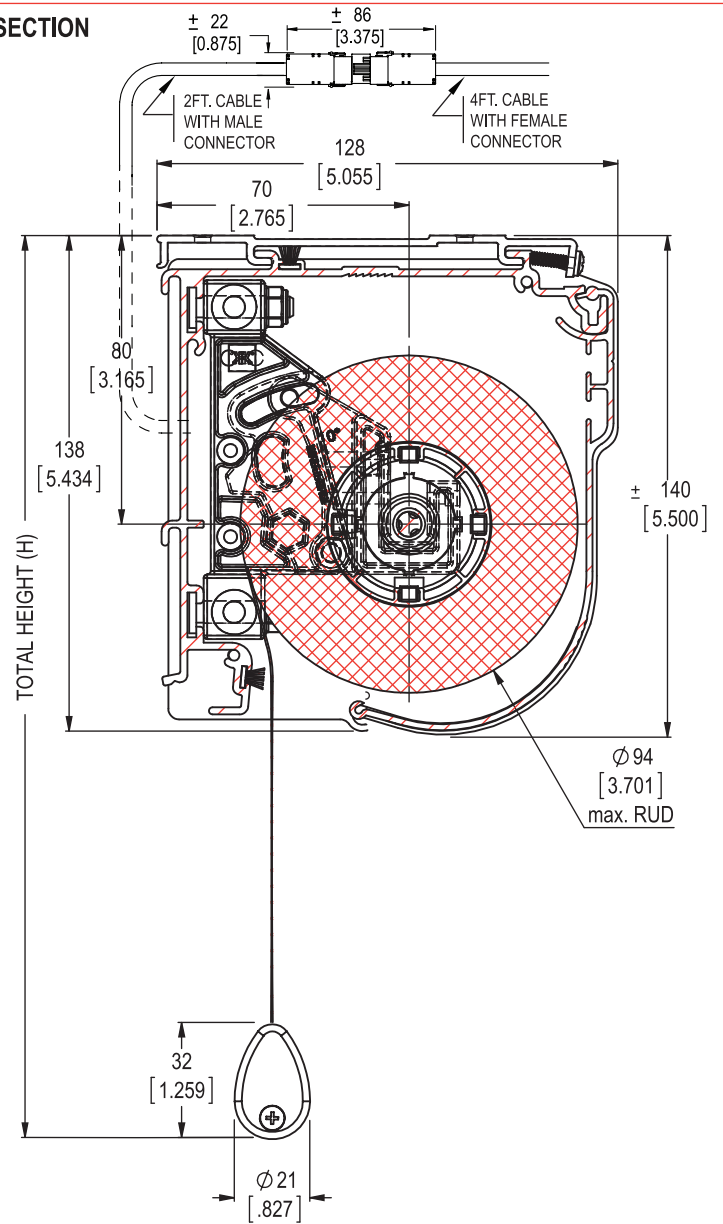
DIMENSION	FABRIC EDGE CLEARANCE [ ±mm / ±in] BY TUBE TYPE									
	32	38	46	53	63	32	38	46	53	63
A	n/a	n/a	25	1,000	25	1,000	25	1,000	n/a	n/a
B	n/a	n/a	38	1,500	38	1,500	38	1,500	n/a	n/a

### MOUNTING

#### TOP VIEW

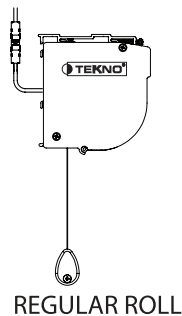


### SECTION



MODEL **TK1-C125-EM46-UQM40 RTS**

### ROLL STYLE



NOTE: For size limitation guidelines, please refer to our Size Limitation Detail Sheets or contact our Technical Department.

MONTREAL T: 800.363.5930 @: info@altex.ca	TORONTO T: 888.836.6980 @: sales@altex.ca	VANCOUVER T: 888.980.9899 @: servicewest@altex.ca
---	---	---



**TEKNO<sup>®</sup> TK-2**

**ELEKTRA**    **ULTRA QUIET MOTOR**

**OPEN ROLL OR-HP**

**SHADE HOLDER: N/A**

**GUIDE CABLES: WITH GUIDE CABLES**

**CHANNELS: N/A**

**MOTOR TYPE: UQM 40 - 120VAC**

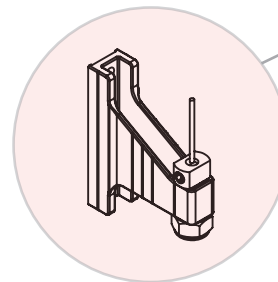
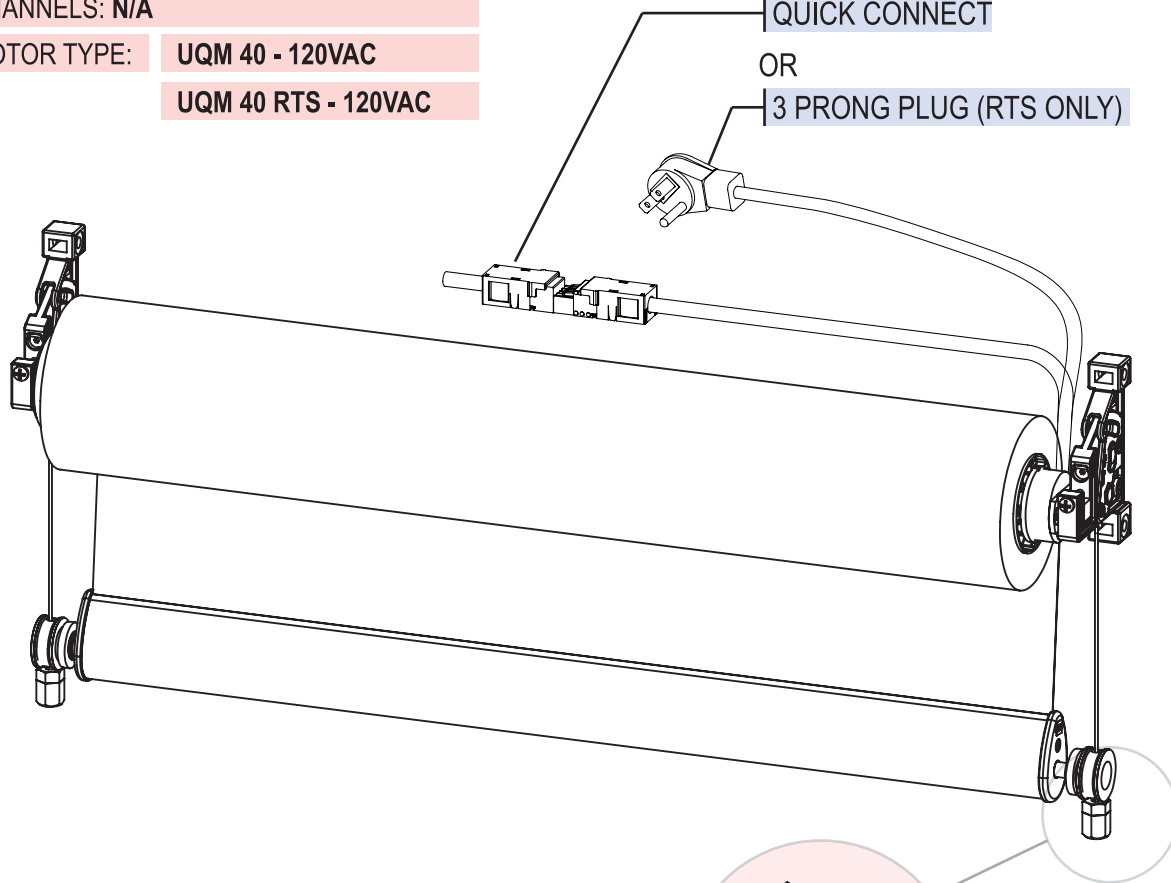
**UQM 40 RTS - 120VAC**

AVAILABLE IN :

**QUICK CONNECT**

OR

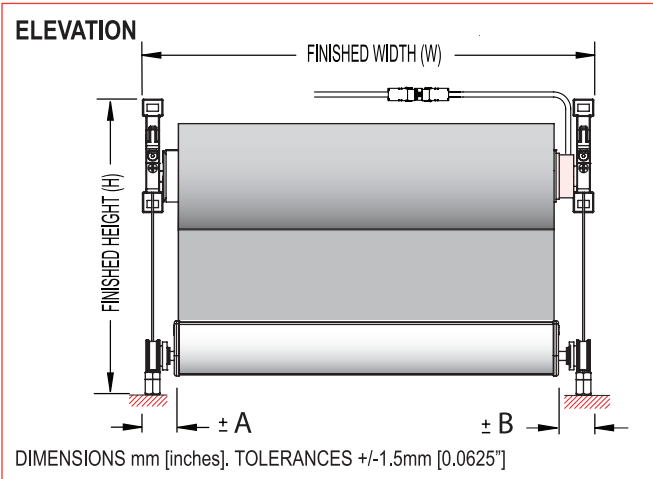
**3 PRONG PLUG (RTS ONLY)**



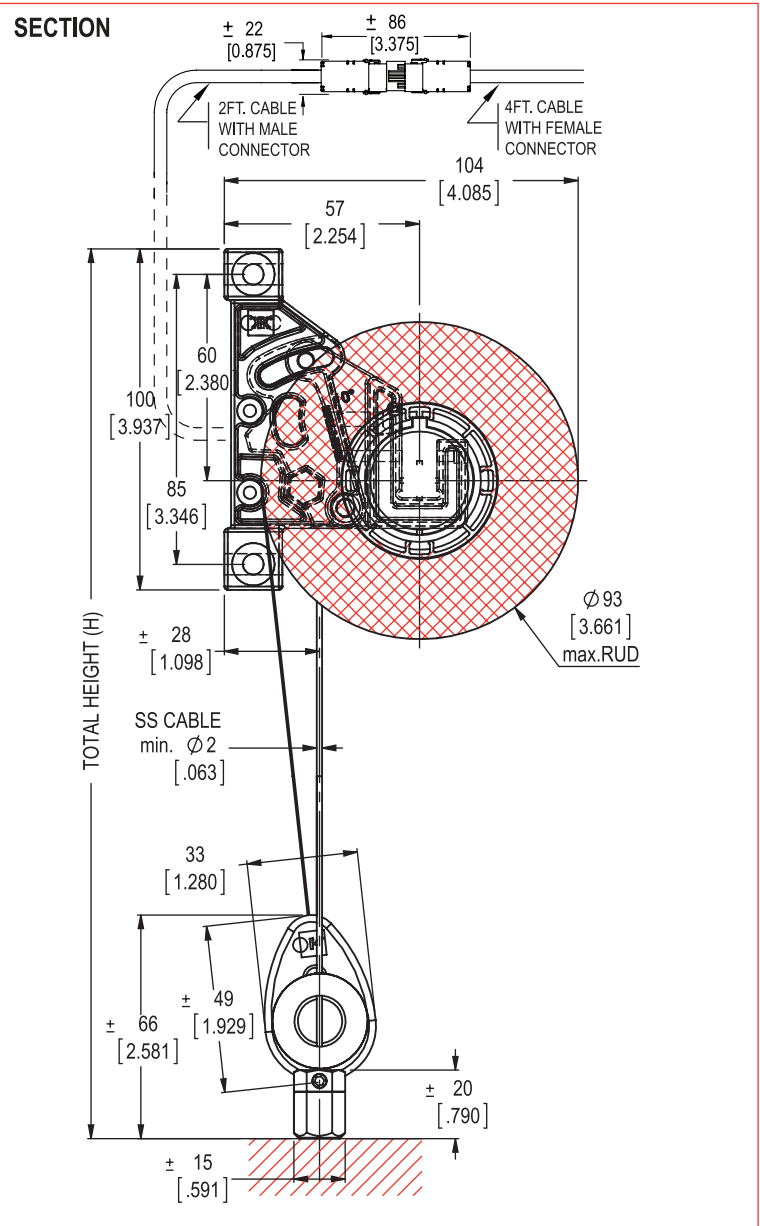
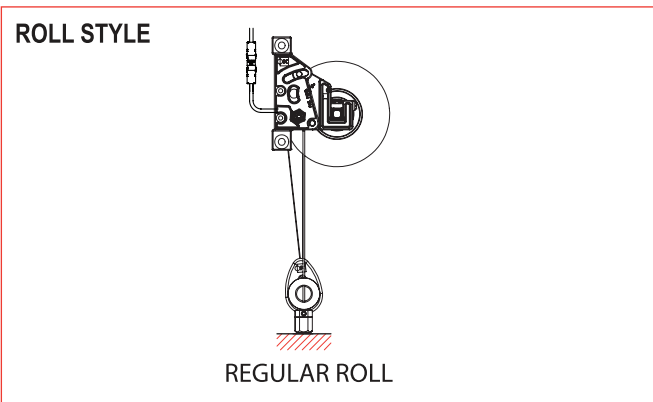
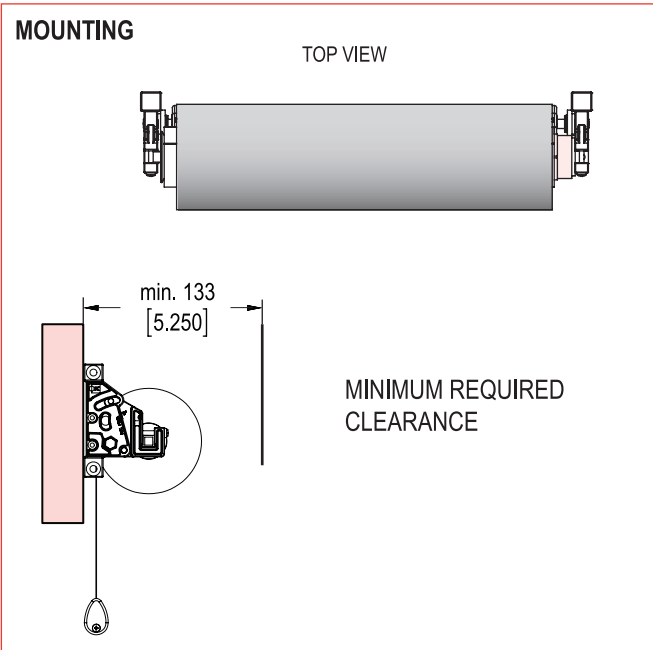
OPTIONAL WALL MOUNTED  
GUIDE CABLE ANCHORING BRACKET

**TK2-OR-HP-EM-UQM40**

**OPEN ROLL WITH "HP" BRACKET**



DIMENSION	FABRIC EDGE CLEARANCE [ ±mm / ±in ] BY TUBE TYPE									
	32		38		46		53		63	
A	n/a	n/a	n/a	n/a	32	1.250	32	1.250	n/a	n/a
B	n/a	n/a	n/a	n/a	35	1.375	35	1.375	n/a	n/a



**MODEL** | **TK2-OR-HP-EM46-UQM40 RTS**

*NOTE: For size limitation guidelines, please refer to our Size Limitation Detail Sheets or contact our Technical Department.*

MONTREAL T: 800.363.5930 @: info@altex.ca	TORONTO T: 888.836.6980 @: sales@altex.ca	VANCOUVER T: 888.980.9899 @: servicewest@altex.ca
---	---	---

TEKNO<sup>®</sup> TK-2

ELEKTRA    ULTRA QUIET MOTOR

**CASSETTE C-125**

SHADE HOLDER: N/A

GUIDE CABLES: **WITH GUIDE CABLES**

CHANNELS: N/A

MOTOR TYPE:    **UQM 40 - 120VAC**

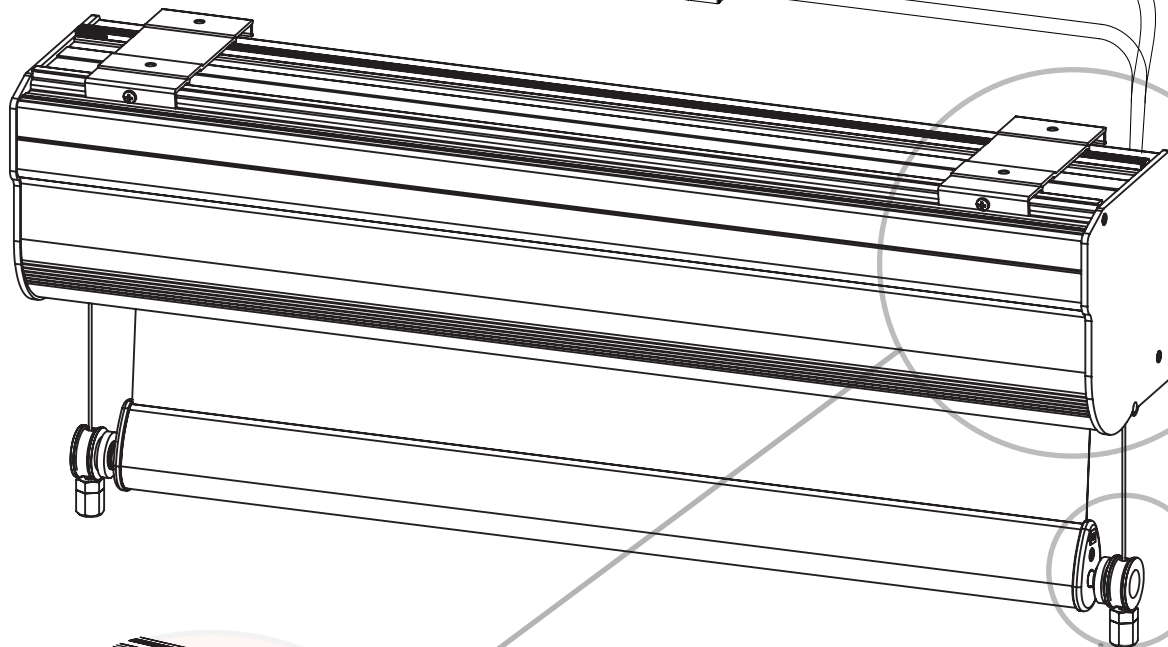
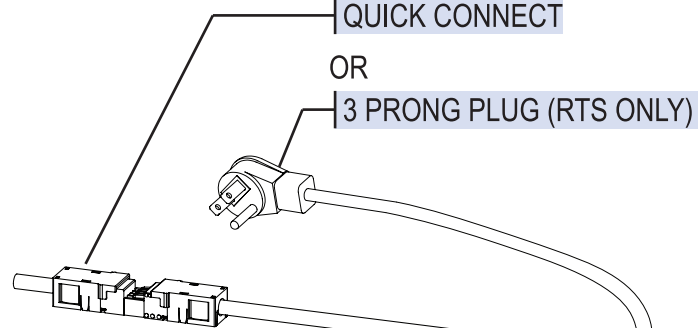
**UQM 40 RTS - 120VAC**

AVAILABLE IN :

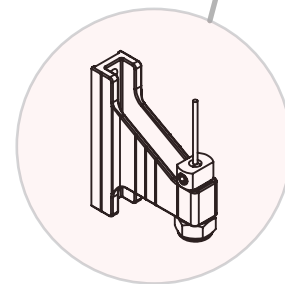
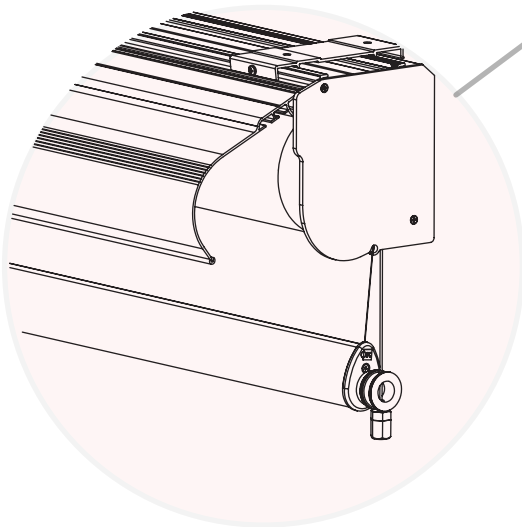
QUICK CONNECT

OR

3 PRONG PLUG (RTS ONLY)



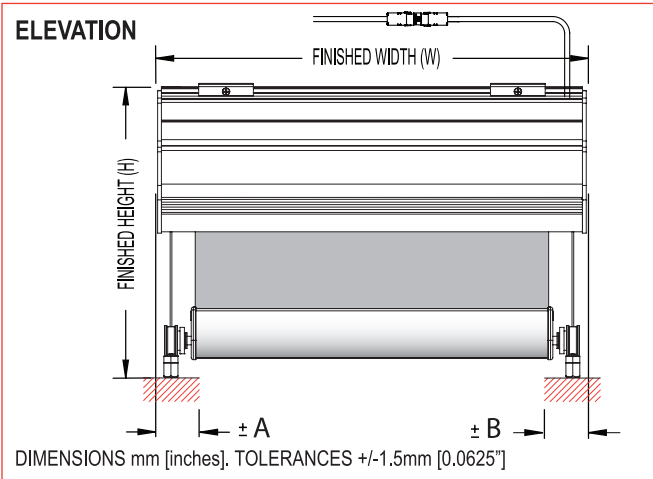
FRONT CASSETTE OPEN



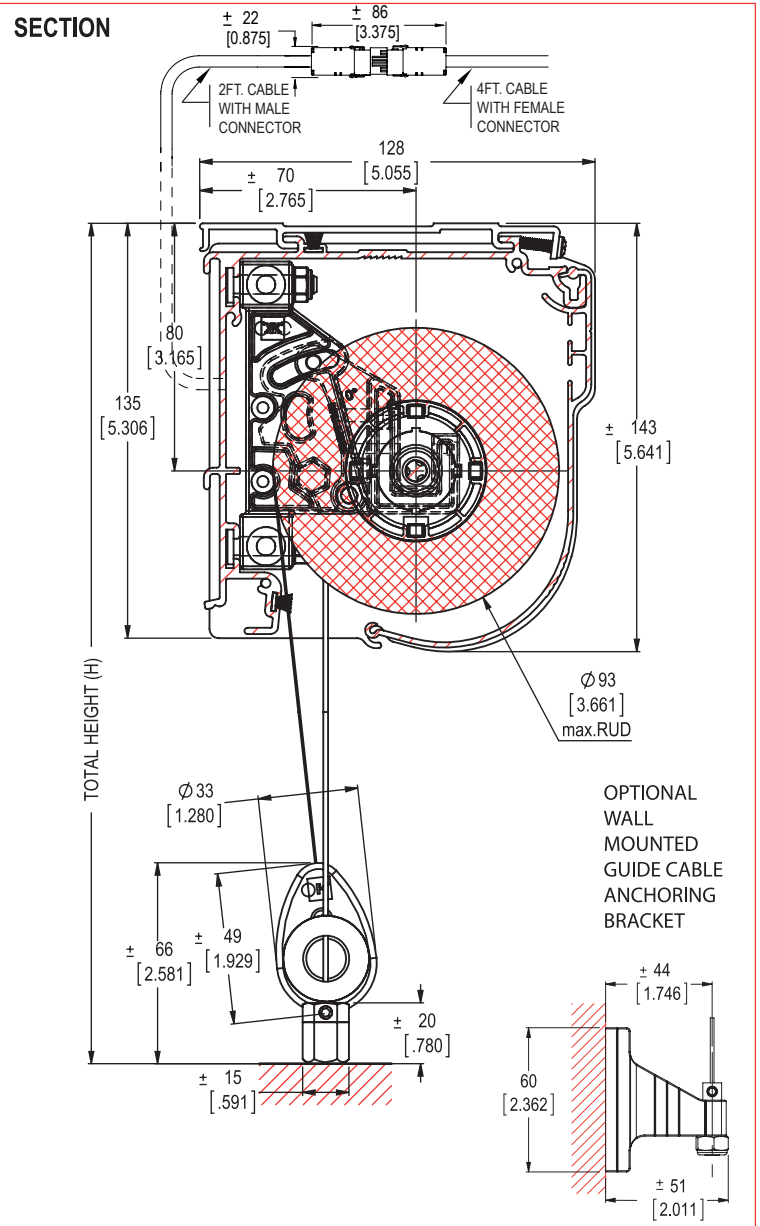
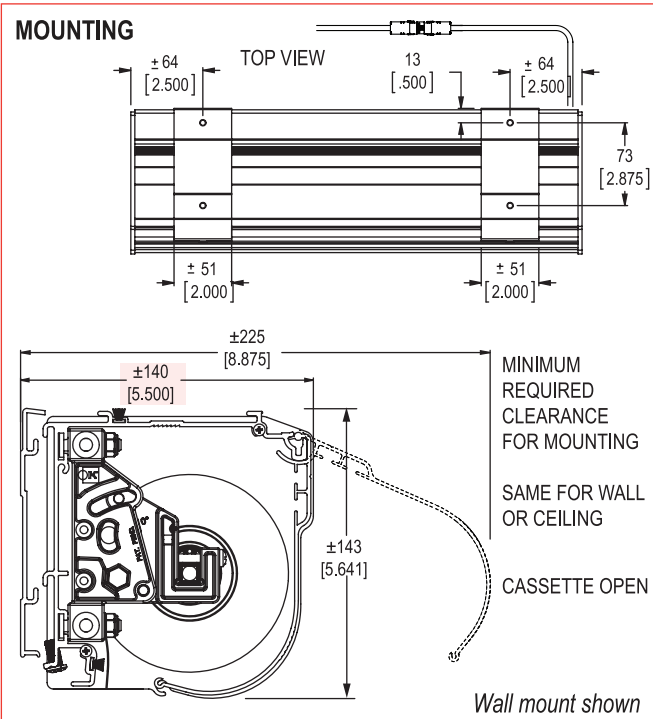
OPTIONAL WALL MOUNTED  
GUIDE CABLE ANCHORING BRACKET

**TK2-C125-EM-UQM40**

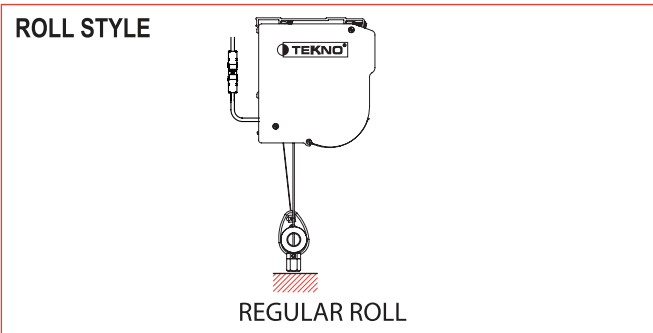
**WITH CASSETTE C-125**



DIMENSION	FABRIC EDGE CLEARANCE [ ±mm / ±in ] BY TUBE TYPE									
	32	38	46	53	63	32	38	46	53	63
A	n/a	n/a	n/a	n/a	35	1.375	35	1.375	n/a	n/a
B	n/a	n/a	n/a	n/a	38	1.500	38	1.500	n/a	n/a



**MODEL** | **TK2-C125-EM46-UQM40 RTS**



*NOTE: For size limitation guidelines, please refer to our Size Limitation Detail Sheets or contact our Technical Department.*

MONTREAL T: 800.363.5930 @: info@altex.ca	TORONTO T: 888.836.6980 @: sales@altex.ca	VANCOUVER T: 888.980.9899 @: servicewest@altex.ca
---	---	---

**TEKNO<sup>®</sup> TK-3**

**ELEKTRA**    **ULTRA QUIET MOTOR**

**OPEN ROLL OR-HP**

**SHADE HOLDER: N/A**

**GUIDE CABLES: N/A**

**CHANNELS: ST-3**

**MOTOR TYPE: UQM 40 - 120VAC**

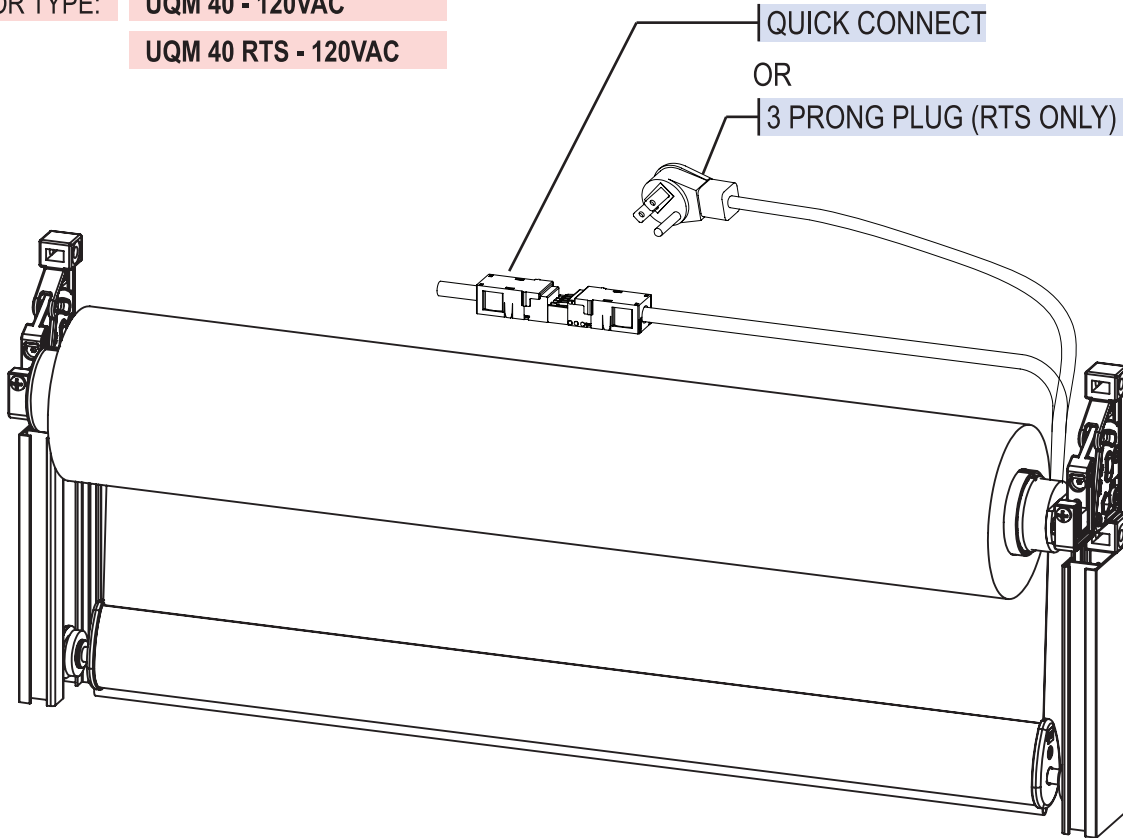
**UQM 40 RTS - 120VAC**

AVAILABLE IN :

**QUICK CONNECT**

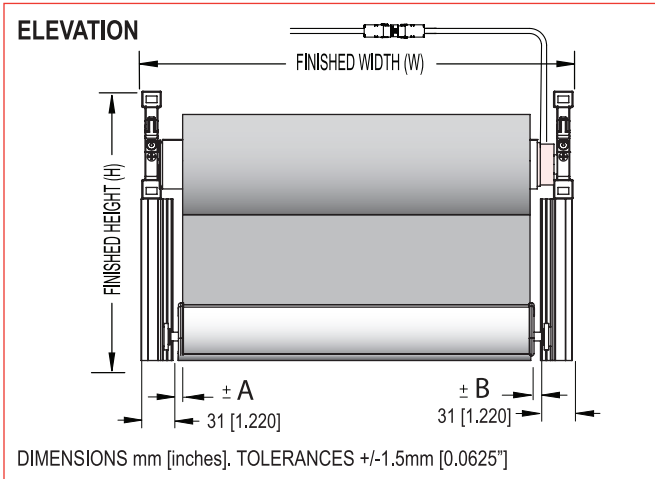
OR

**3 PRONG PLUG (RTS ONLY)**

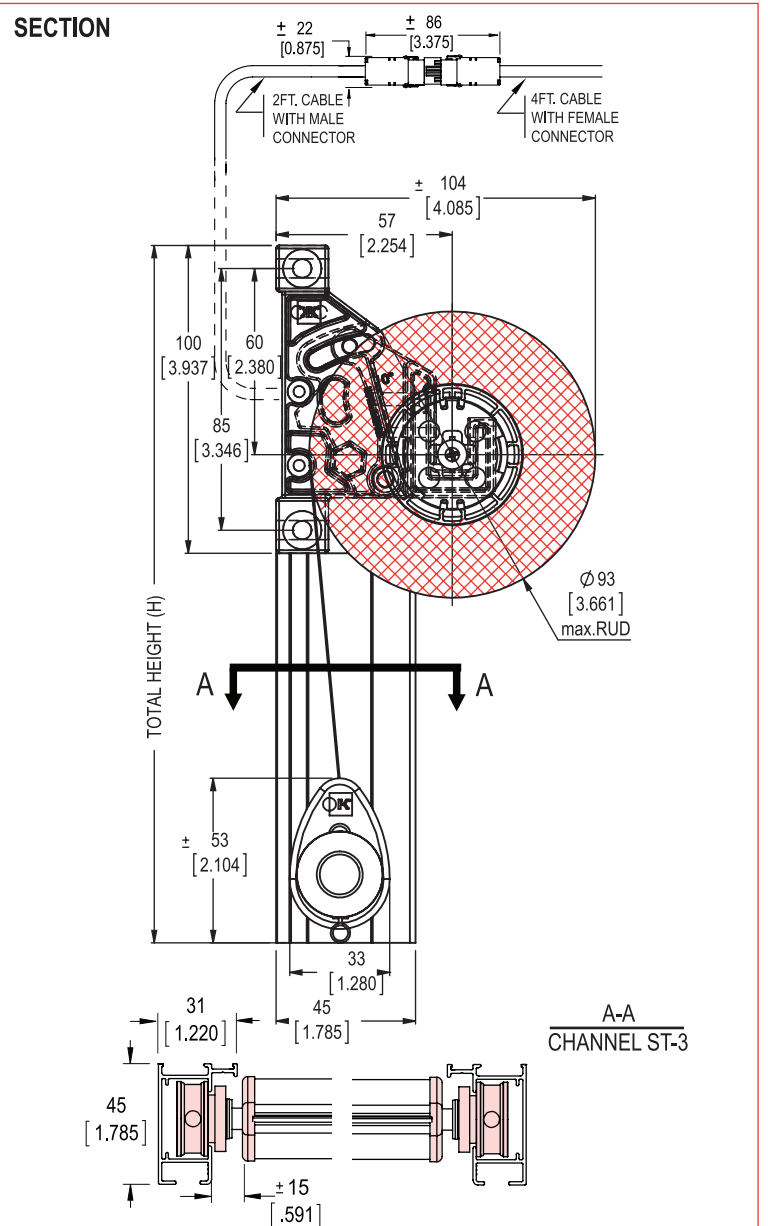
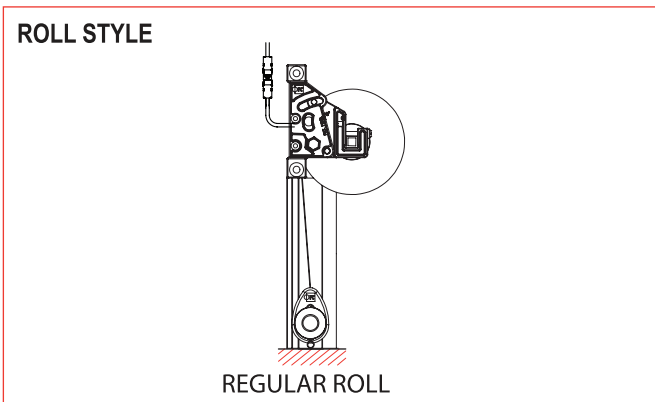
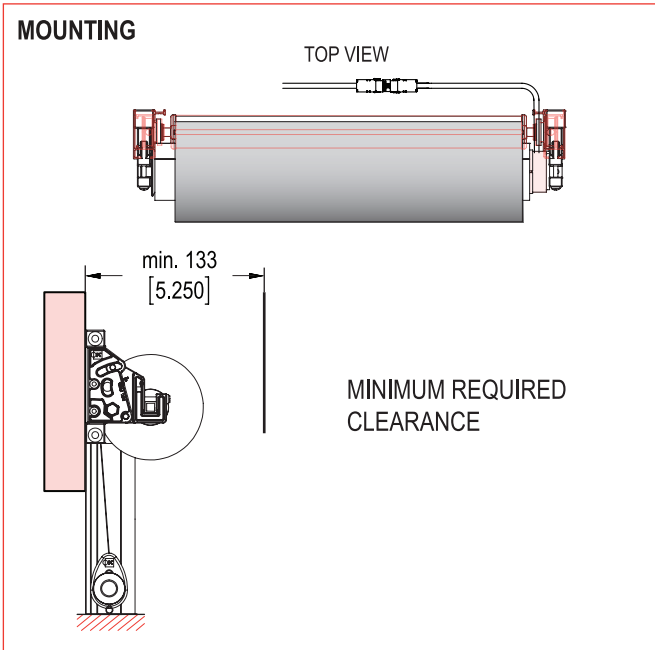


**TK3-OR-HP-EM-UQM40**

**OPEN ROLL WITH "HP" BRACKET**



DIMENSION	FABRIC EDGE CLEARANCE [ ±mm / ±in] BY TUBE TYPE									
	32		38		46		53		63	
A	n/a	n/a	10	0.375	10	0.375	10	0.375	n/a	n/a
B	n/a	n/a	10	0.375	10	0.375	10	0.375	n/a	n/a



**MODEL**    **TK3-OR-HP-EM46-UQM40 RTS**

*NOTE: For size limitation guidelines, please refer to our Size Limitation Detail Sheets or contact our Technical Department.*

MONTREAL T: 800.363.5930 @: info@altex.ca	TORONTO T: 888.836.6980 @: sales@altex.ca	VANCOUVER T: 888.980.9899 @: servicewest@altex.ca
---	---	---

**TEKNO<sup>®</sup> TK-3**

**ELEKTRA**    **ULTRA QUIET MOTOR**

**CASSETTE C-125**

**SHADE HOLDER: N/A**

**GUIDE CABLES: N/A**

**CHANNELS: ST-3**

**MOTOR TYPE: UQM 40 - 120VAC**

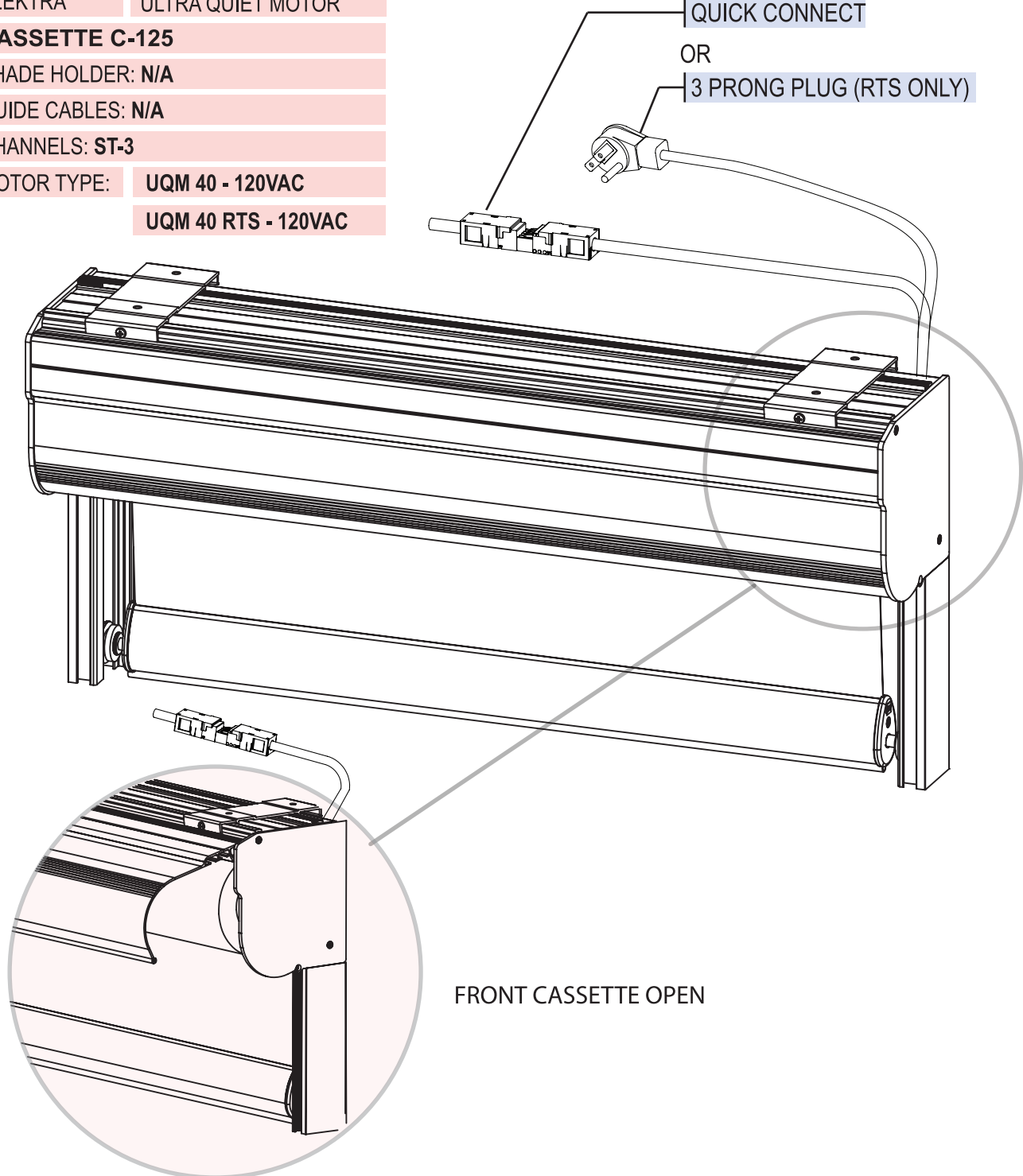
**UQM 40 RTS - 120VAC**

AVAILABLE IN :

**QUICK CONNECT**

OR

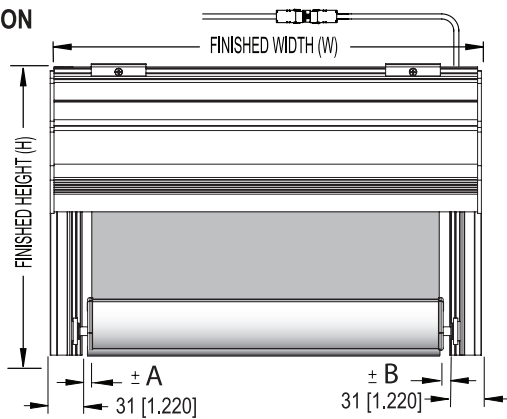
**3 PRONG PLUG (RTS ONLY)**



**TK3-C125-EM-UQM40**

**WITH CASSETTE C-125**

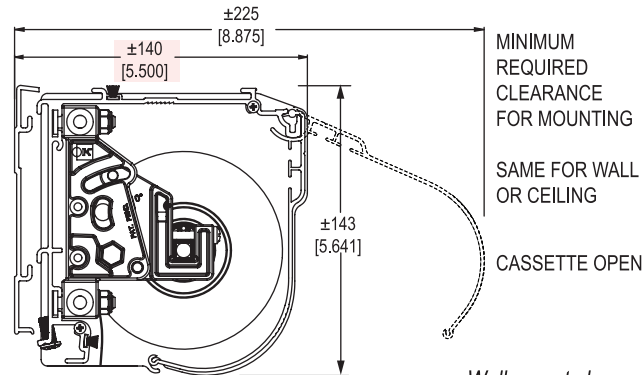
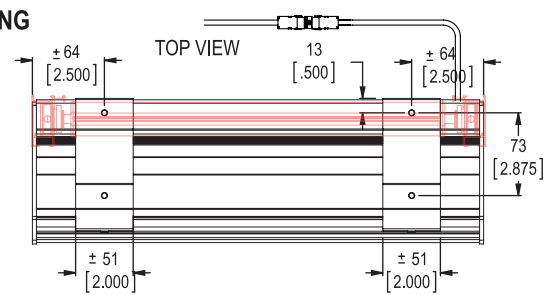
### ELEVATION



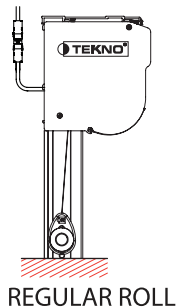
DIMENSIONS mm [inches]. TOLERANCES +/-1.5mm [0.0625"]

DIMENSION	FABRIC EDGE CLEARANCE [ ±mm / ±in] BY TUBE TYPE									
	32	38	46	53	63	32	38	46	53	63
A	n/a	n/a	10	0.375	10	0.375	10	0.375	n/a	n/a
B	n/a	n/a	10	0.375	10	0.375	10	0.375	n/a	n/a

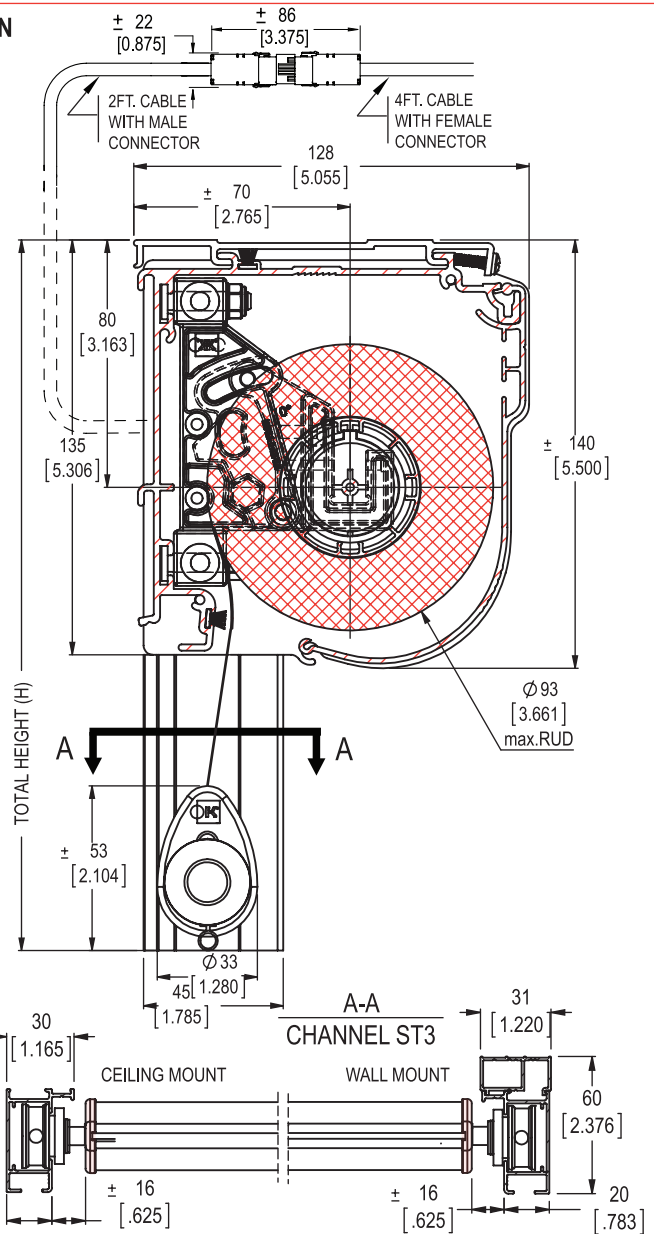
### MOUNTING



### ROLL STYLE



### SECTION



**MODEL**    **TK3-C125-EM46-UQM40-RTS**

NOTE: For size limitation guidelines, please refer to our Size Limitation Detail Sheets or contact our Technical Department.

MONTREAL T: 800.363.5930 @: info@altex.ca	TORONTO T: 888.836.6980 @: sales@altex.ca	VANCOUVER T: 888.980.9899 @: servicewest@altex.ca
---	---	---



**TEKNO<sup>®</sup> TK-4**

**ELEKTRA**    **ULTRA QUIET MOTOR**

**CASSETTE C-95**

**SHADE HOLDER: N/A**

**GUIDE CABLES: N/A**

**CHANNELS: T-460**

**MOTOR TYPE:    UQM 40 - 120VAC**

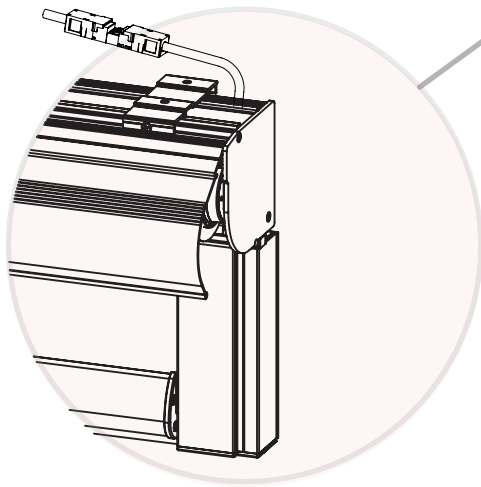
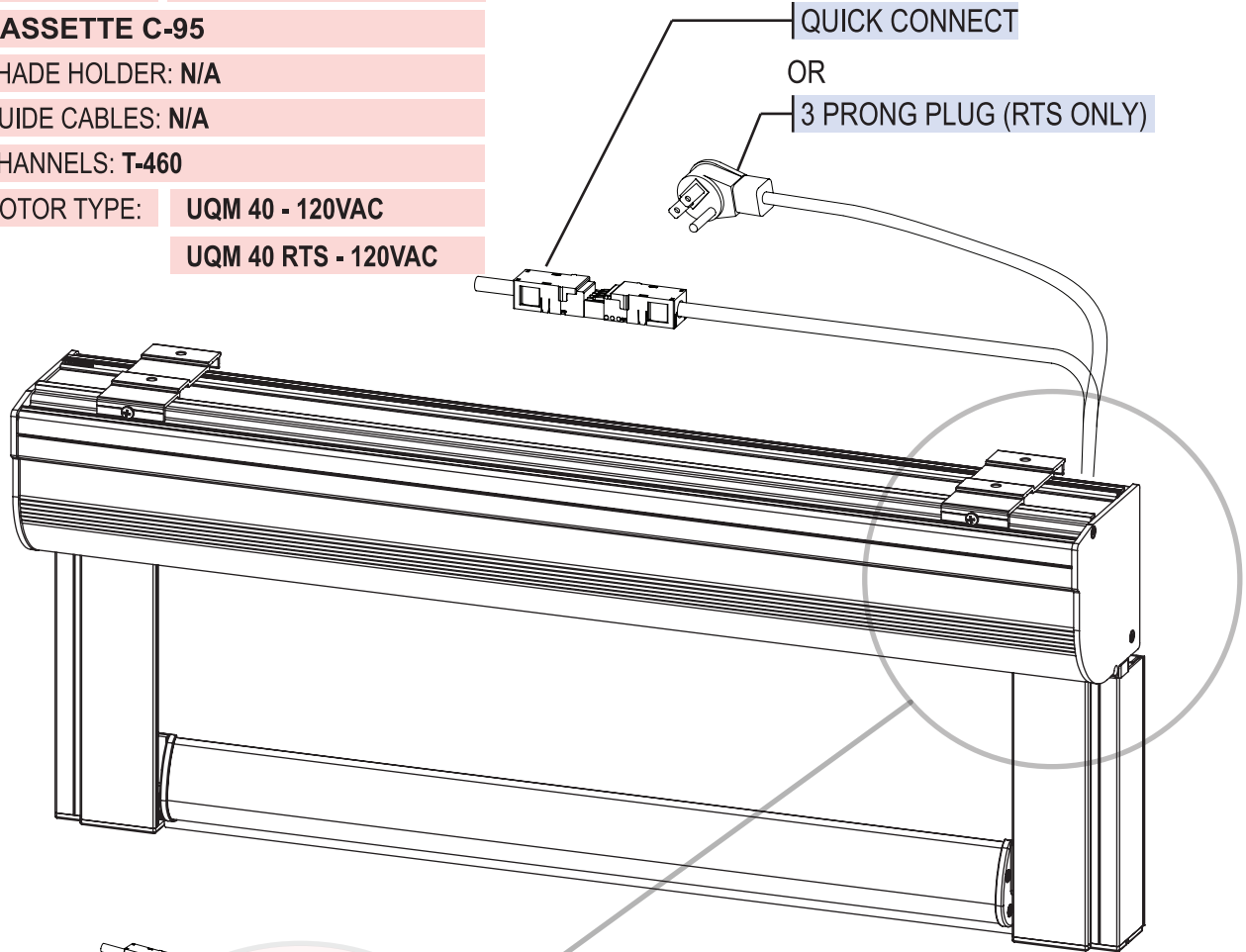
**UQM 40 RTS - 120VAC**

AVAILABLE IN :

**QUICK CONNECT**

OR

**3 PRONG PLUG (RTS ONLY)**

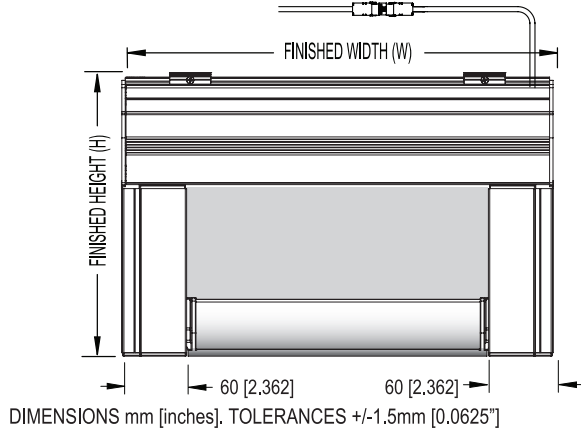


FRONT CASSETTE OPEN

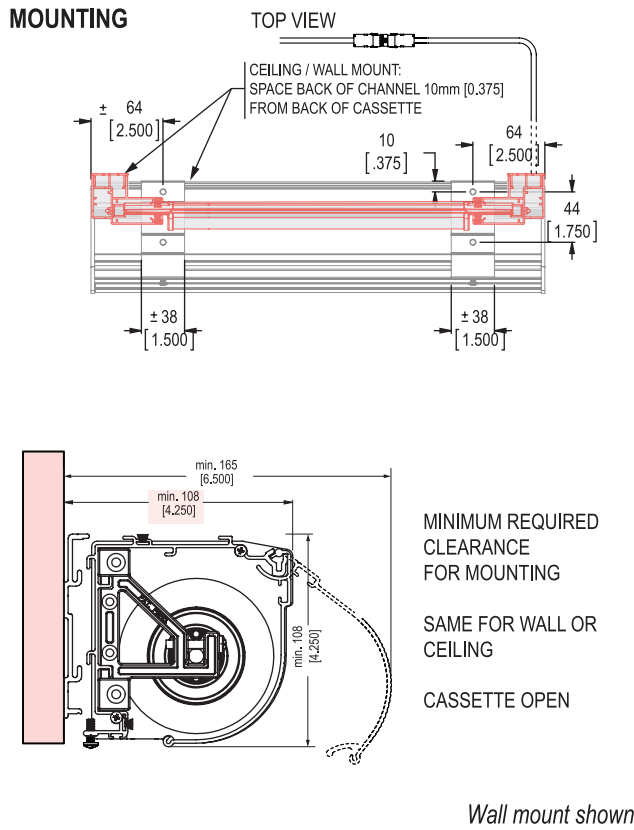
**TK4-C95-EM-UQM40**

**WITH CASSETTE C-95**

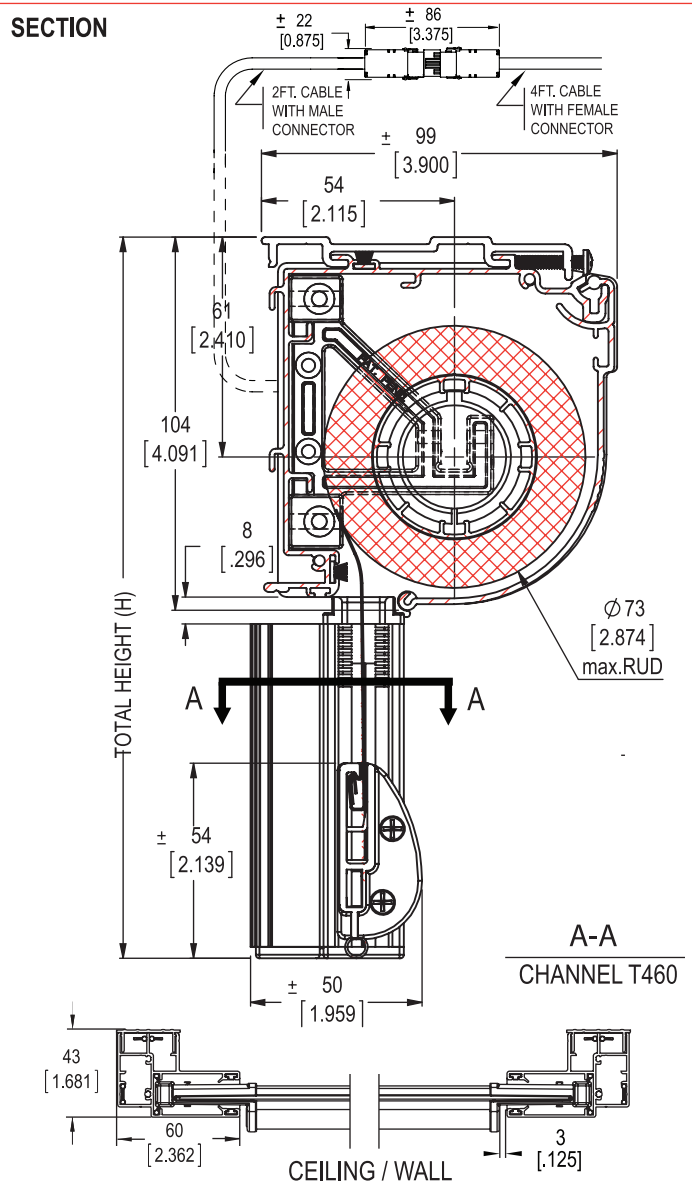
### ELEVATION



### MOUNTING



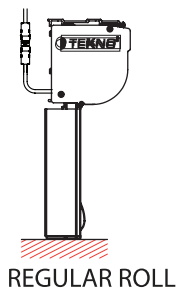
### SECTION



NOTE: For applications with Tube 46, please contact Technical Department.

**MODEL TK4-C95-EM46-UQM40 RTS**

### ROLL STYLE



NOTE: For size limitation guidelines, please refer to our Size Limitation Detail Sheets or contact our Technical Department.

MONTREAL T: 800.363.5930 @: info@altex.ca	TORONTO T: 888.836.6980 @: sales@altex.ca	VANCOUVER T: 888.980.9899 @: servicewest@altex.ca
---	---	---

**TEKNO<sup>®</sup> TK-4**

**ELEKTRA**    **ULTRA QUIET MOTOR**

**CASSETTE C-125**

**SHADE HOLDER: N/A**

**GUIDE CABLES: N/A**

**CHANNELS: T-480**

**MOTOR TYPE: UQM 40 - 120VAC**

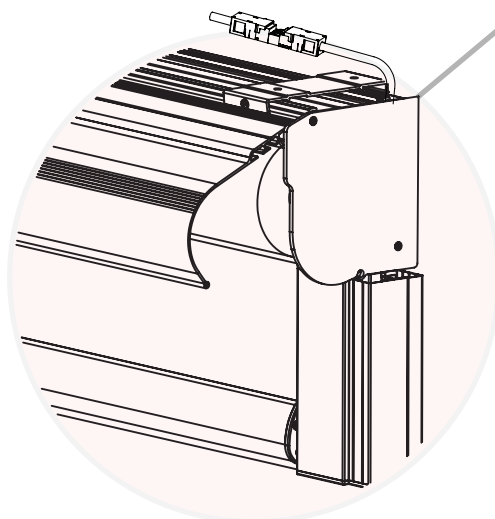
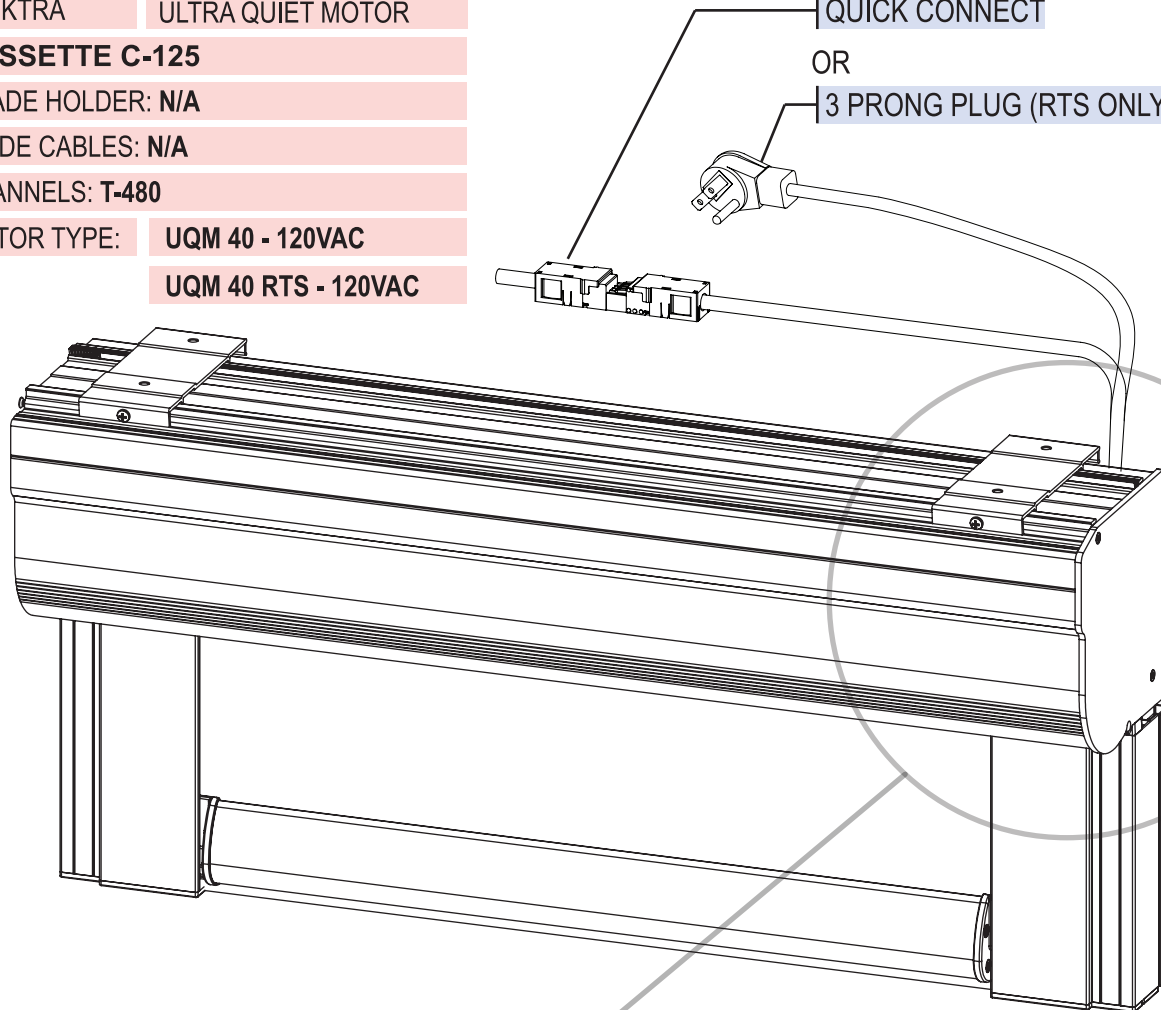
**UQM 40 RTS - 120VAC**

AVAILABLE IN :

**QUICK CONNECT**

OR

**3 PRONG PLUG (RTS ONLY)**

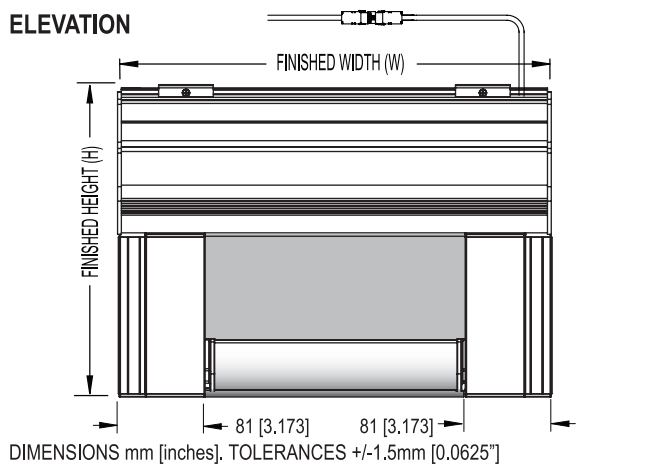


FRONT CASSETTE OPEN

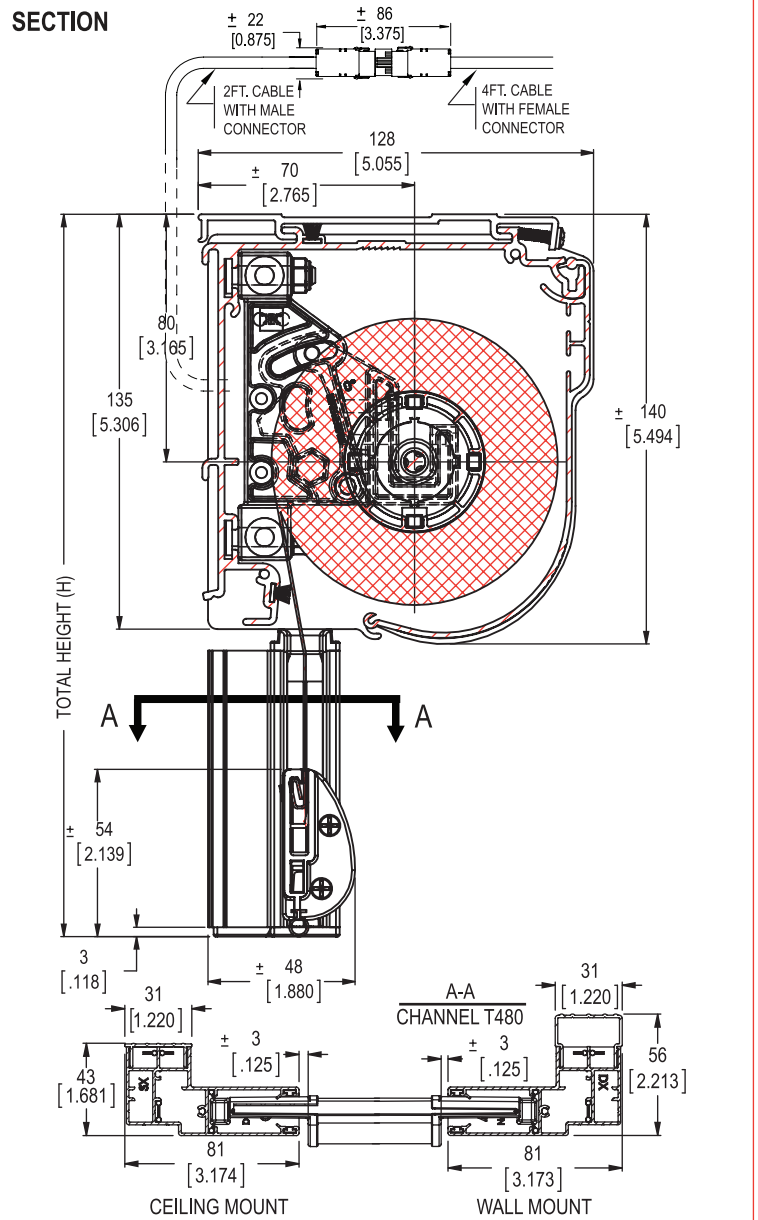
**TK4-C125-EM-UQM40**

**WITH CASSETTE C-125**

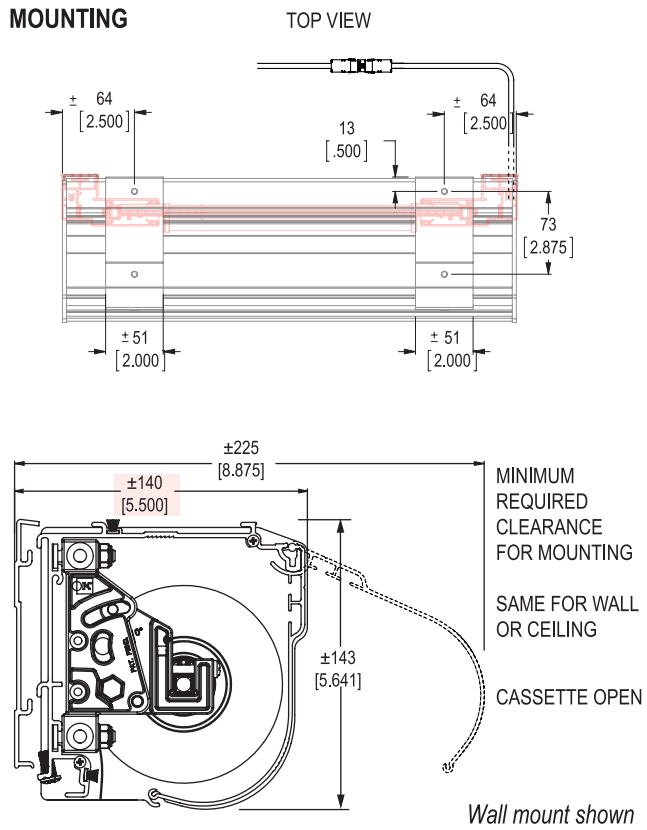
**ELEVATION**



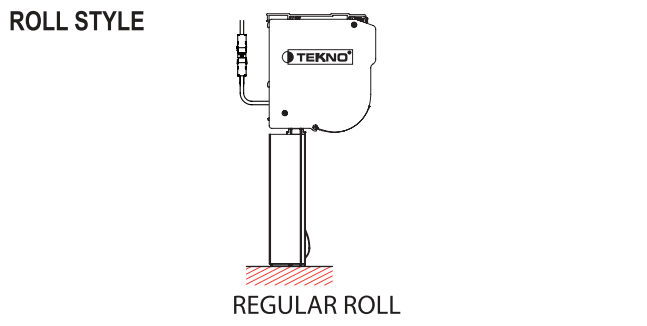
**SECTION**



**MOUNTING**



**ROLL STYLE**



**MODEL TK4-C125-EM46-UQM40 RTS**

*NOTE: For size limitation guidelines, please refer to our Size Limitation Detail Sheets or contact our Technical Department.*

MONTREAL T: 800.363.5930 @: info@altex.ca	TORONTO T: 888.836.6980 @: sales@altex.ca	VANCOUVER T: 888.980.9899 @: servicewest@altex.ca
---	---	---

**TEKNO<sup>®</sup> TK-1**

**ELEKTRA** | **ULTRA QUIET MOTOR**

**OPEN ROLL OR-HP**

**SHADE HOLDER: N/A**

**GUIDE CABLES: N/A**

**CHANNELS: N/A**

**MOTOR TYPE: UQM 50 - 120VAC**

**UQM 50 RTS - 120VAC**

**UQM 50 ILT - 120VAC**

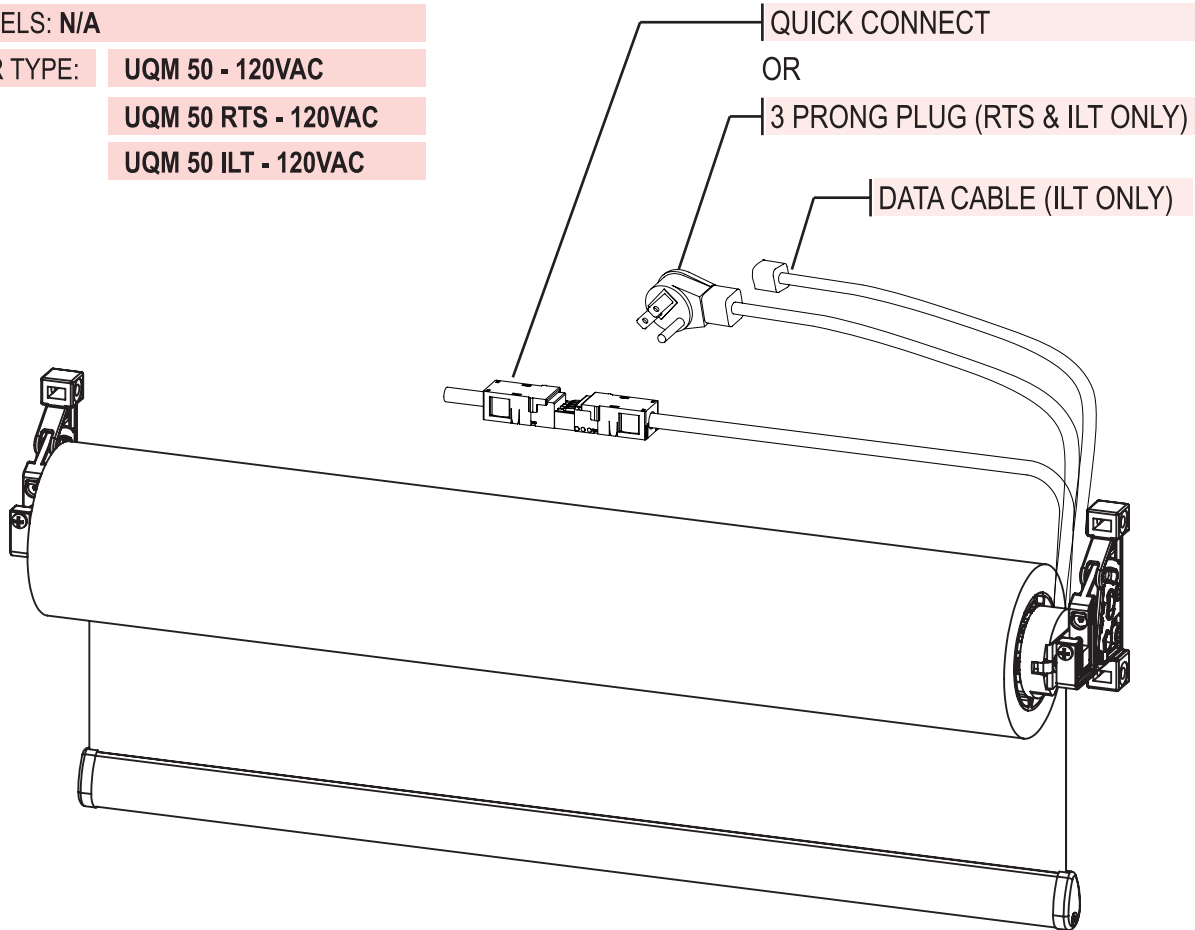
**AVAILABLE IN :**

**QUICK CONNECT**

**OR**

**3 PRONG PLUG (RTS & ILT ONLY)**

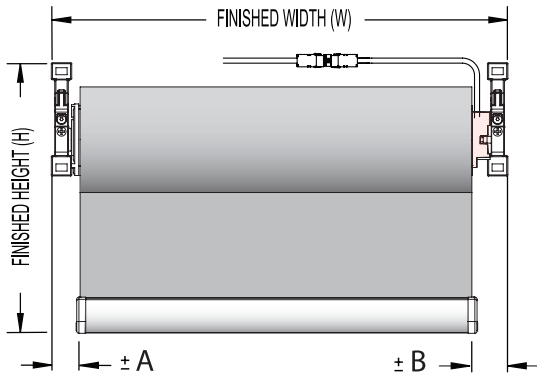
**DATA CABLE (ILT ONLY)**



**TK1-OR-HP-EM-UQM50**

**OPEN ROLL WITH "HP" BRACKET**

### ELEVATION

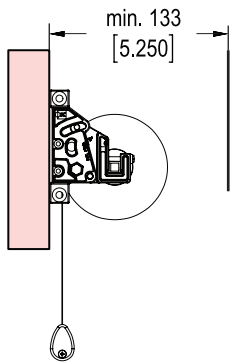
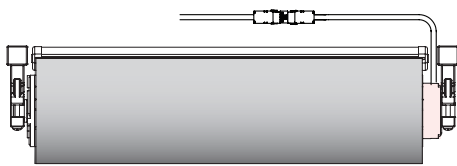


DIMENSIONS mm [inches]. TOLERANCES +/-1.5mm [0.0625"]

DIMENSION	FABRIC EDGE CLEARANCE [ ±mm / ±in ] BY TUBE TYPE				
	32	38	46	53	63
A	n/a	n/a	n/a	n/a	25 1.000
B	n/a	n/a	n/a	n/a	32 1.250

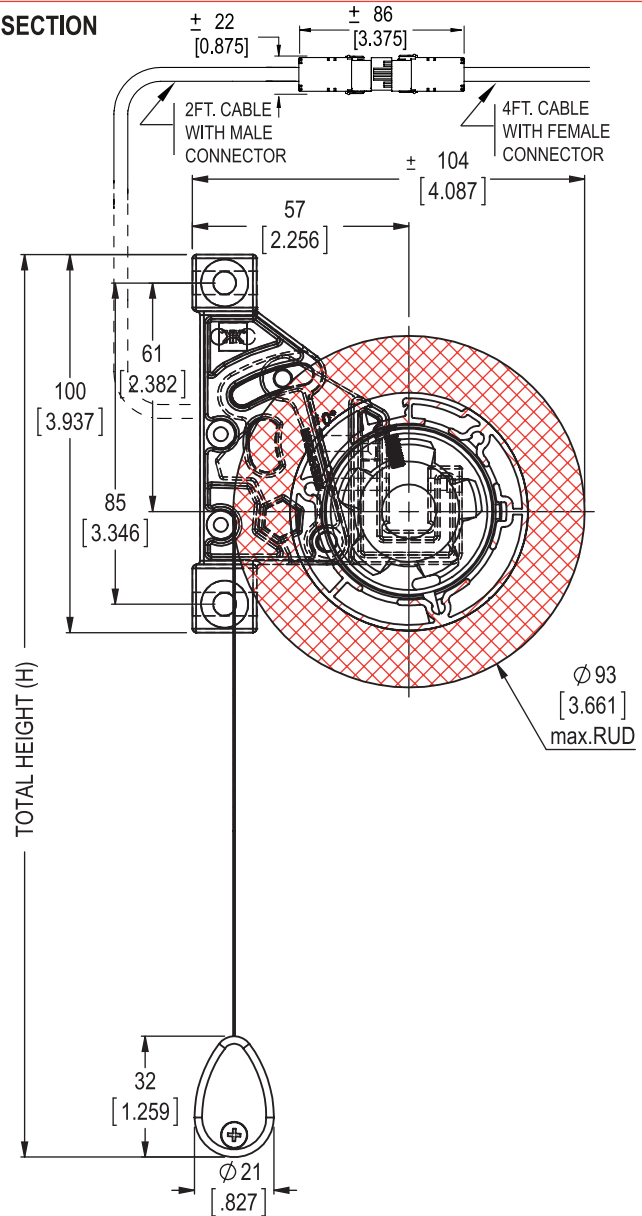
### MOUNTING

TOP VIEW



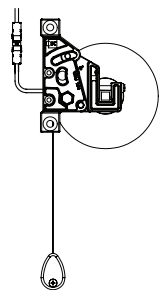
MINIMUM REQUIRED CLEARANCE

### SECTION

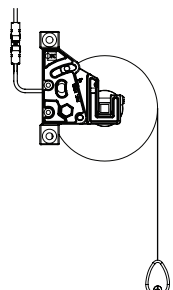


MODEL **TK1-OR-HP-EM63-UQM50 RTS**

### ROLL STYLE



REGULAR ROLL



REVERSE ROLL

NOTE: For size limitation guidelines, please refer to our Size Limitation Detail Sheets or contact our Technical Department.

MONTREAL

T: 800.363.5930

@: info@altex.ca

TORONTO

T: 888.836.6980

@: sales@altex.ca

VANCOUVER

T: 888.980.9899

@: servicewest@altex.ca

**TEKNO<sup>®</sup> TK-1**

**ELEKTRA** REGULAR MOTOR

**CASSETTE C-125**

SHADE HOLDER: N/A

GUIDE CABLES: N/A

CHANNELS: N/A

MOTOR TYPE: **E-50 - 120VAC**

**E-50 RTS - 120VAC**

**E-50 ILT - 120VAC**

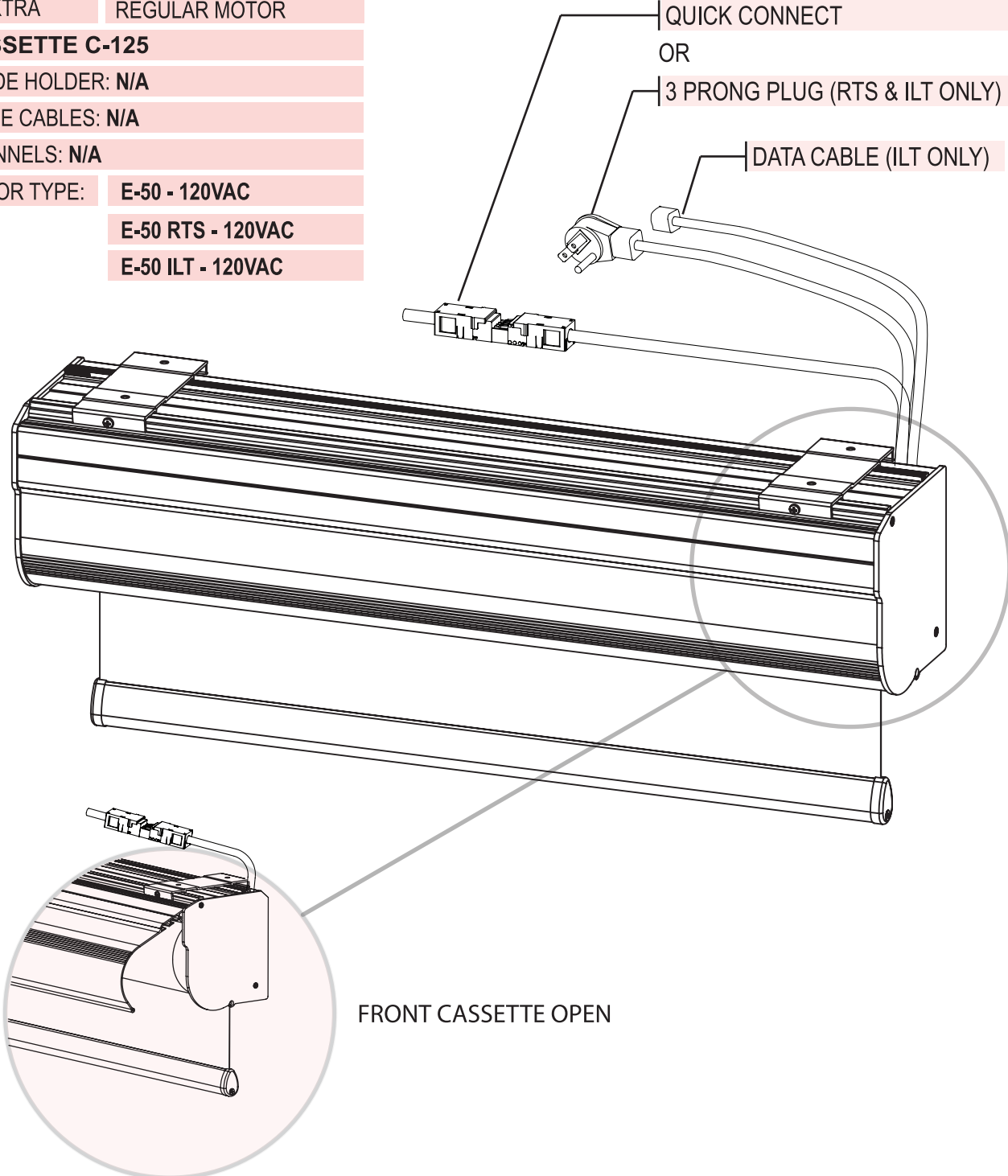
AVAILABLE IN :

QUICK CONNECT

OR

3 PRONG PLUG (RTS & ILT ONLY)

DATA CABLE (ILT ONLY)



FRONT CASSETTE OPEN

**TK1-C125-EM-UQM50**

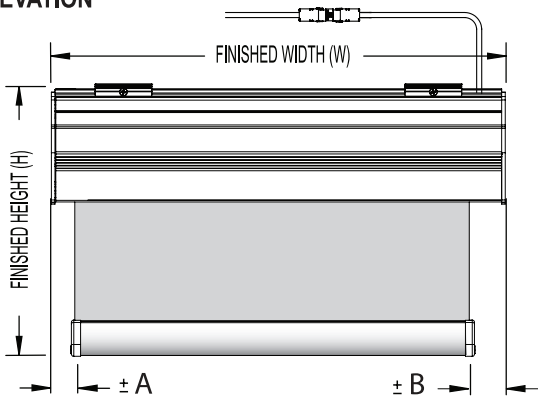
**WITH CASSETTE C-125**

# TEKNO® - 1 CASSETTE C-125 ELEKTRA ULTRA QUIET - 120VAC

## UQM 50 / UQM 50 RTS / UQM 50 ILT MOTOR OPERATED ROLLER SYSTEMS



### ELEVATION

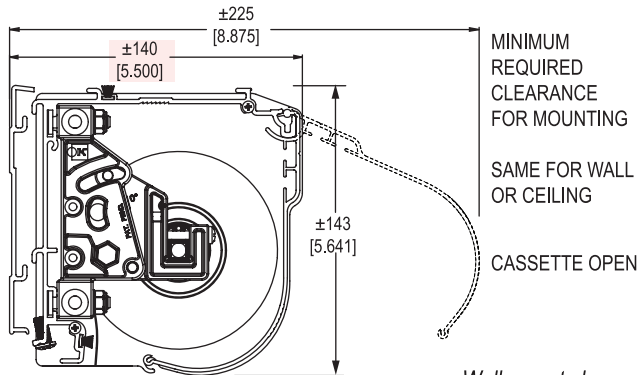
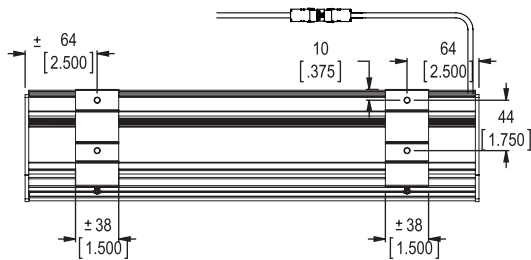


DIMENSIONS mm [inches]. TOLERANCES +/-1.5mm [0.0625"]

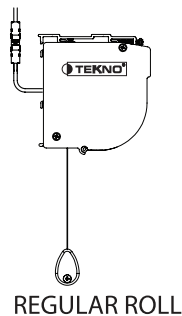
DIMENSION	FABRIC EDGE CLEARANCE [ ±mm / ±in] BY TUBE TYPE					
	32	38	46	53	63	
A	n/a	n/a	n/a	n/a	29	1.125
B	n/a	n/a	n/a	n/a	35	1.375

### MOUNTING

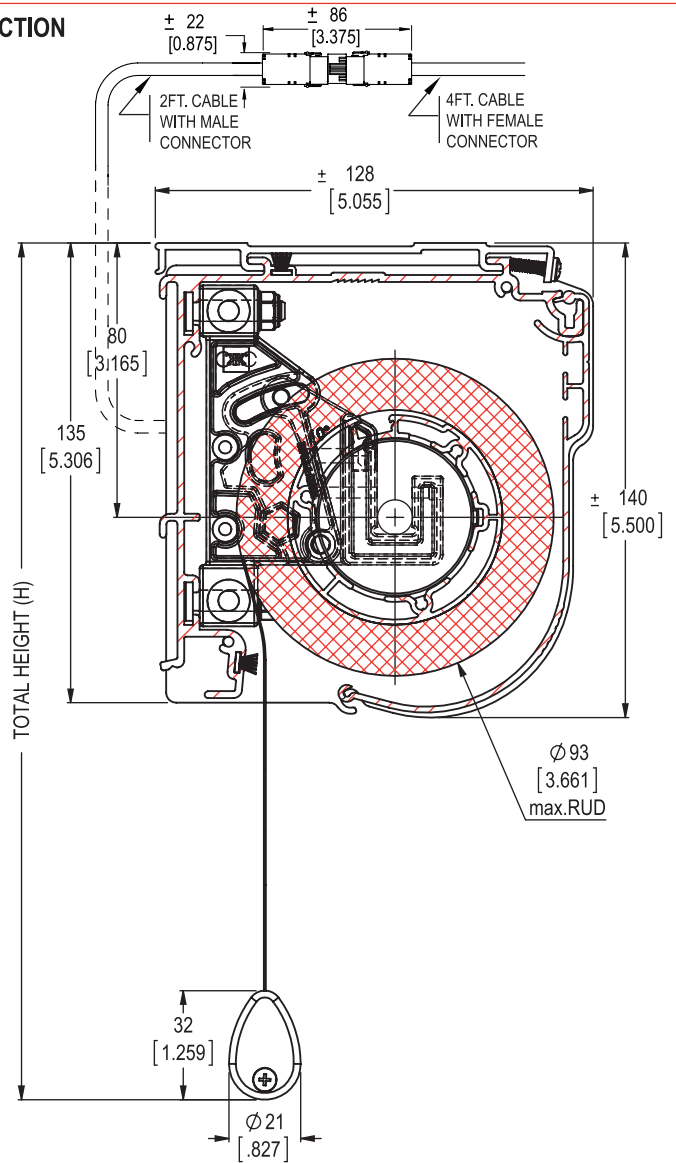
#### TOP VIEW



### ROLL STYLE



### SECTION



MODEL **TK1-C125-EM63-UQM50 RTS**

NOTE: For size limitation guidelines, please refer to our Size Limitation Detail Sheets or contact our Technical Department.

MONTREAL T: 800.363.5930 @: info@altex.ca	TORONTO T: 888.836.6980 @: sales@altex.ca	VANCOUVER T: 888.980.9899 @: servicewest@altex.ca
---	---	---



**TEKNO<sup>®</sup> TK-2**

**ELEKTRA**    **ULTRA QUIET MOTOR**

**OPEN ROLL OR-HP**

**SHADE HOLDER: N/A**

**GUIDE CABLES: WITH GUIDE CABLES**

**CHANNELS: N/A**

**MOTOR TYPE: UQM 50 - 120VAC**

**UQM 50 RTS - 120VAC**

**UQM 50 ILT - 120VAC**

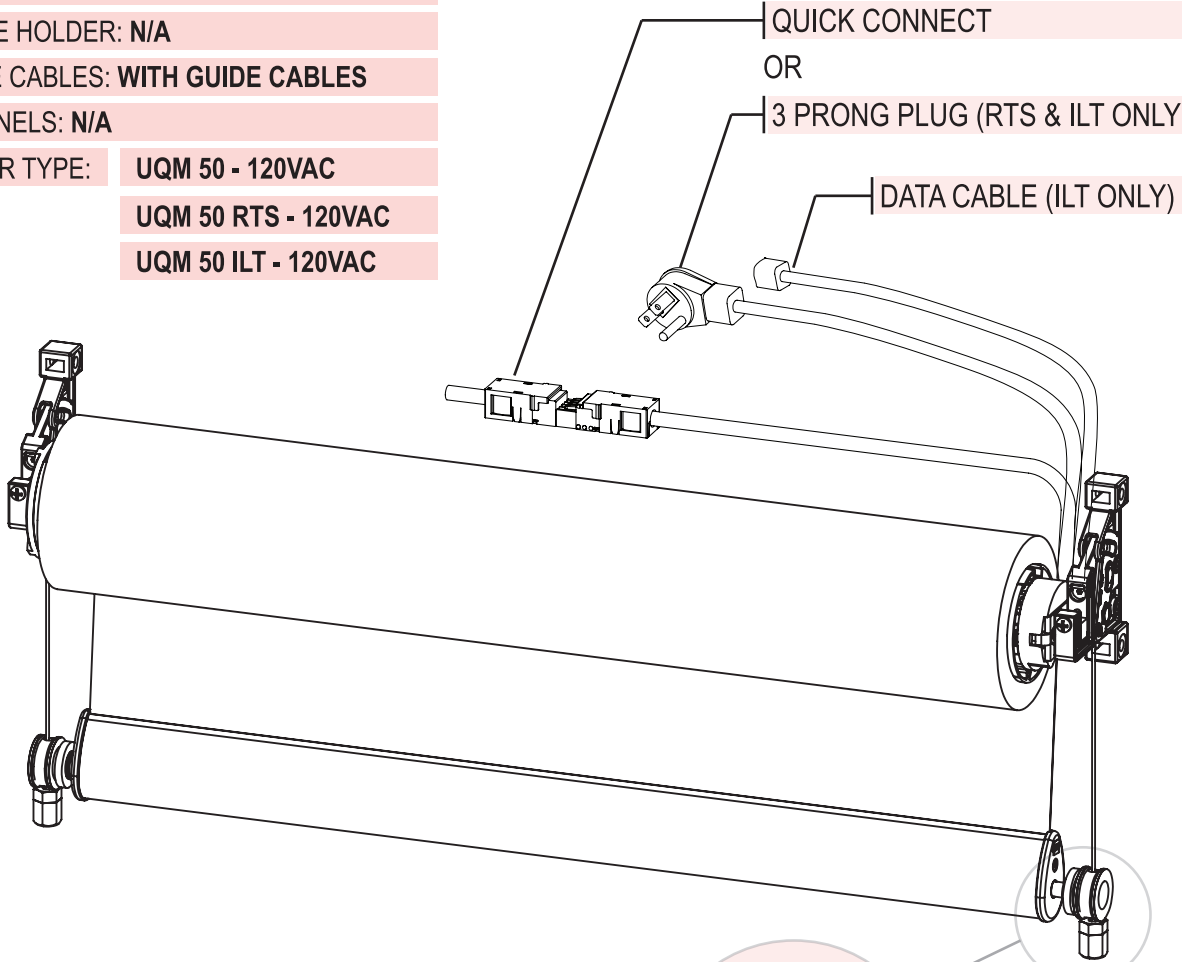
AVAILABLE IN :

QUICK CONNECT

OR

3 PRONG PLUG (RTS & ILT ONLY)

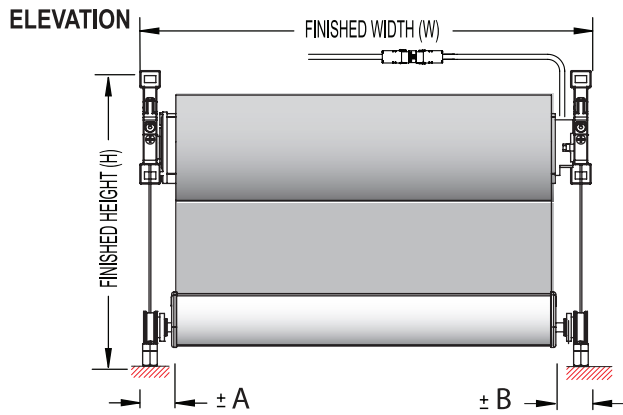
DATA CABLE (ILT ONLY)



OPTIONAL WALL MOUNTED  
GUIDE CABLE ANCHORING BRACKET

**TK2-OR-HP-EM-UQM50**

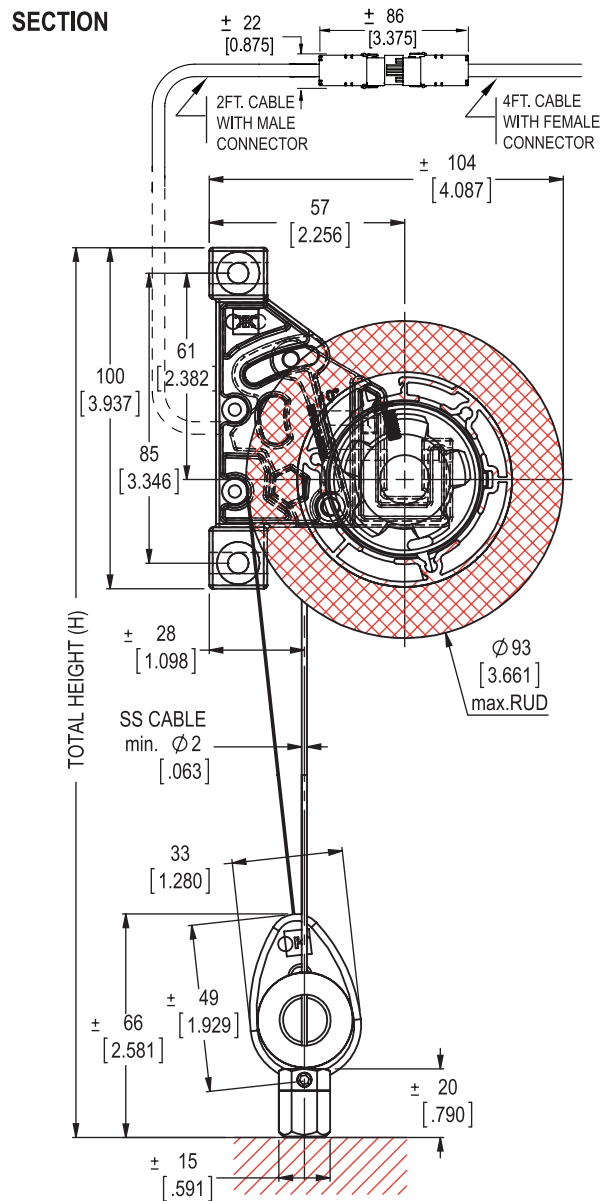
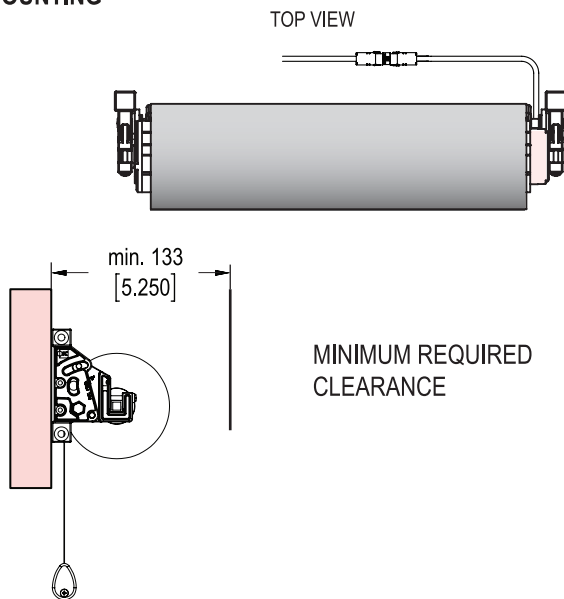
**OPEN ROLL WITH "HP" BRACKET**



DIMENSIONS mm [inches]. TOLERANCES +/-1.5mm [0.0625"]

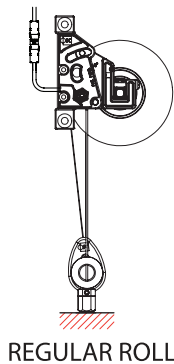
DIMENSION	FABRIC EDGE CLEARANCE [ ±mm / ±in] BY TUBE TYPE				
	32	38	46	53	63
A	n/a	n/a	n/a	n/a	32 1.250
B	n/a	n/a	n/a	n/a	35 1.375

### MOUNTING



**MODEL    TK2-OR-HP-EM63-UQM50 RTS**

### ROLL STYLE



*NOTE: For size limitation guidelines, please refer to our Size Limitation Detail Sheets or contact our Technical Department.*

MONTREAL T: 800.363.5930 @: info@altex.ca	TORONTO T: 888.836.6980 @: sales@altex.ca	VANCOUVER T: 888.980.9899 @: servicewest@altex.ca
---	---	---

**TEKNO<sup>®</sup> TK-2**

**ELEKTRA**      **ULTRA QUIET MOTOR**

**CASSETTE C-125**

**SHADE HOLDER: N/A**

**GUIDE CABLES: WITH GUIDE CABLES**

**CHANNELS: N/A**

**MOTOR TYPE: UQM 50 - 120VAC**

**UQM 50 RTS - 120VAC**

**UQM 50 ILT - 120VAC**

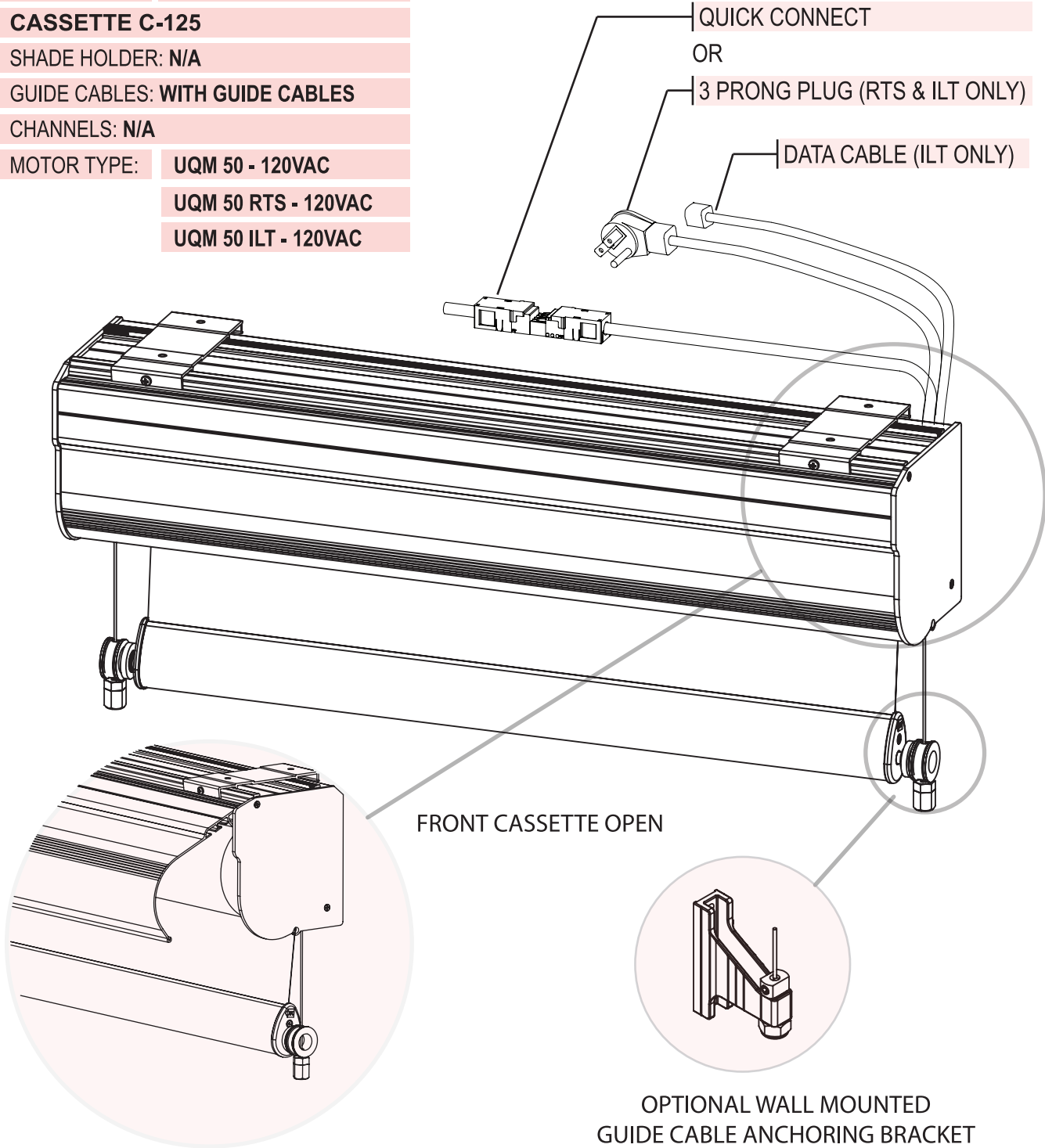
AVAILABLE IN :

QUICK CONNECT

OR

3 PRONG PLUG (RTS & ILT ONLY)

DATA CABLE (ILT ONLY)

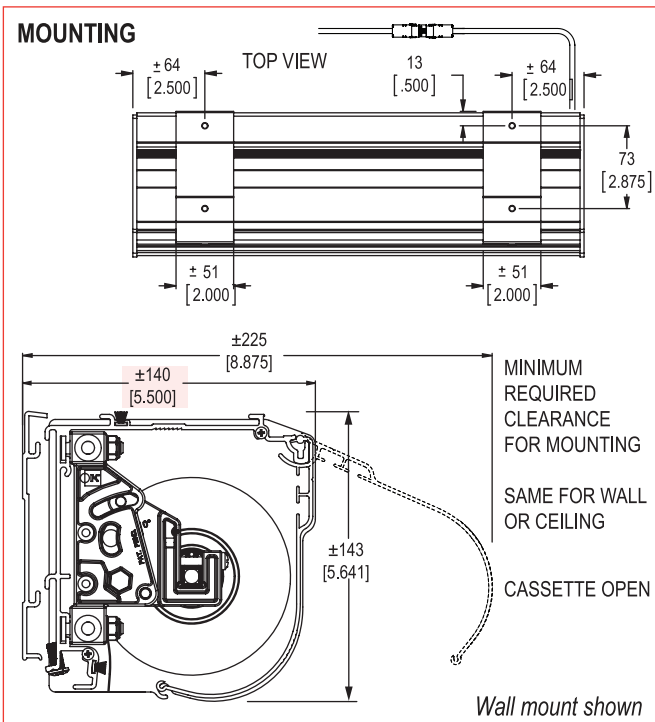
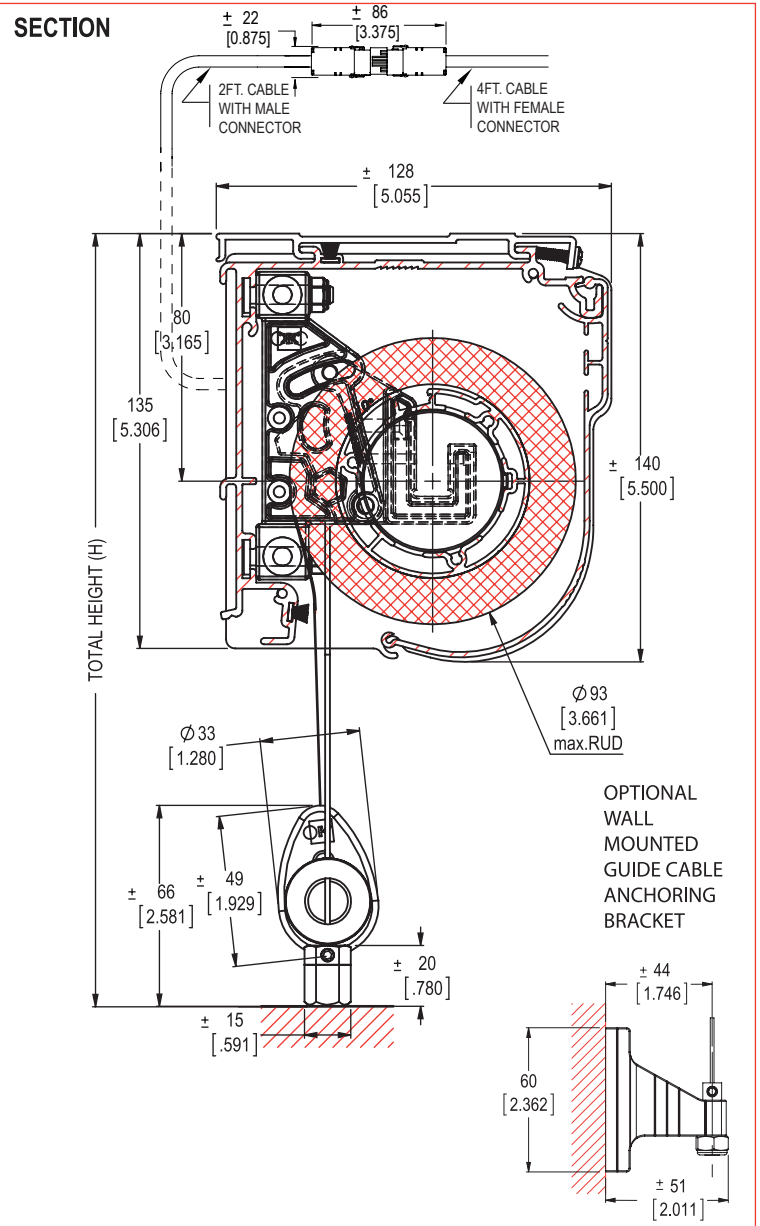
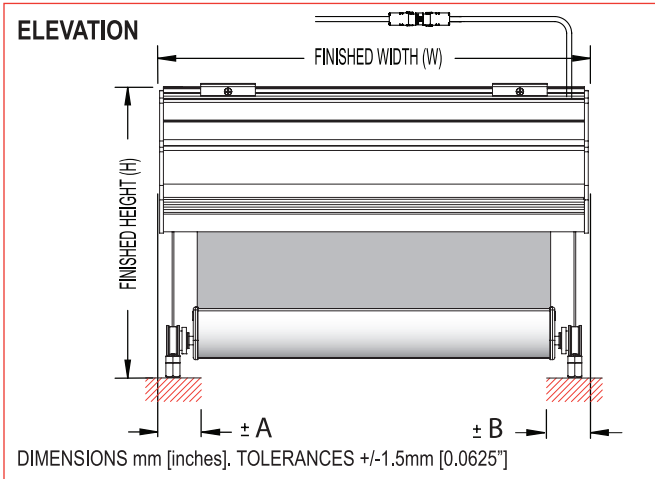


FRONT CASSETTE OPEN

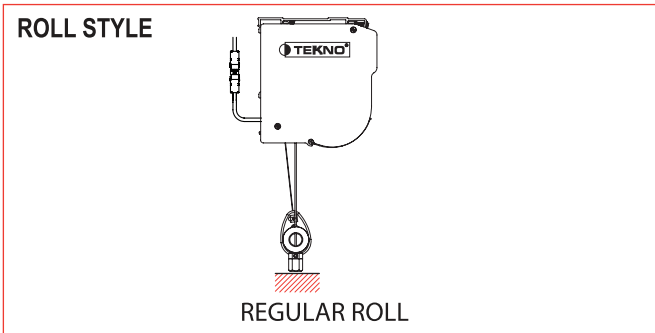
OPTIONAL WALL MOUNTED  
GUIDE CABLE ANCHORING BRACKET

**TK2-C125-EM-UQM50**

**WITH CASSETTE C-125**



**MODEL      TK2-C125-EM63-UQM50 RTS**



*NOTE: For size limitation guidelines, please refer to our Size Limitation Detail Sheets or contact our Technical Department.*

MONTREAL T: 800.363.5930 @: info@altex.ca	TORONTO T: 888.836.6980 @: sales@altex.ca	VANCOUVER T: 888.980.9899 @: servicewest@altex.ca
---	---	---

**TEKNO<sup>®</sup> TK-3**

**ELEKTRA**    **REGULAR MOTOR**

**OPEN ROLL OR-HP**

**SHADE HOLDER: N/A**

**GUIDE CABLES: N/A**

**CHANNELS: ST-3**

**MOTOR TYPE: E-50 - 120VAC**

**E-50 RTS - 120VAC**

**E-50 ILT - 120VAC**

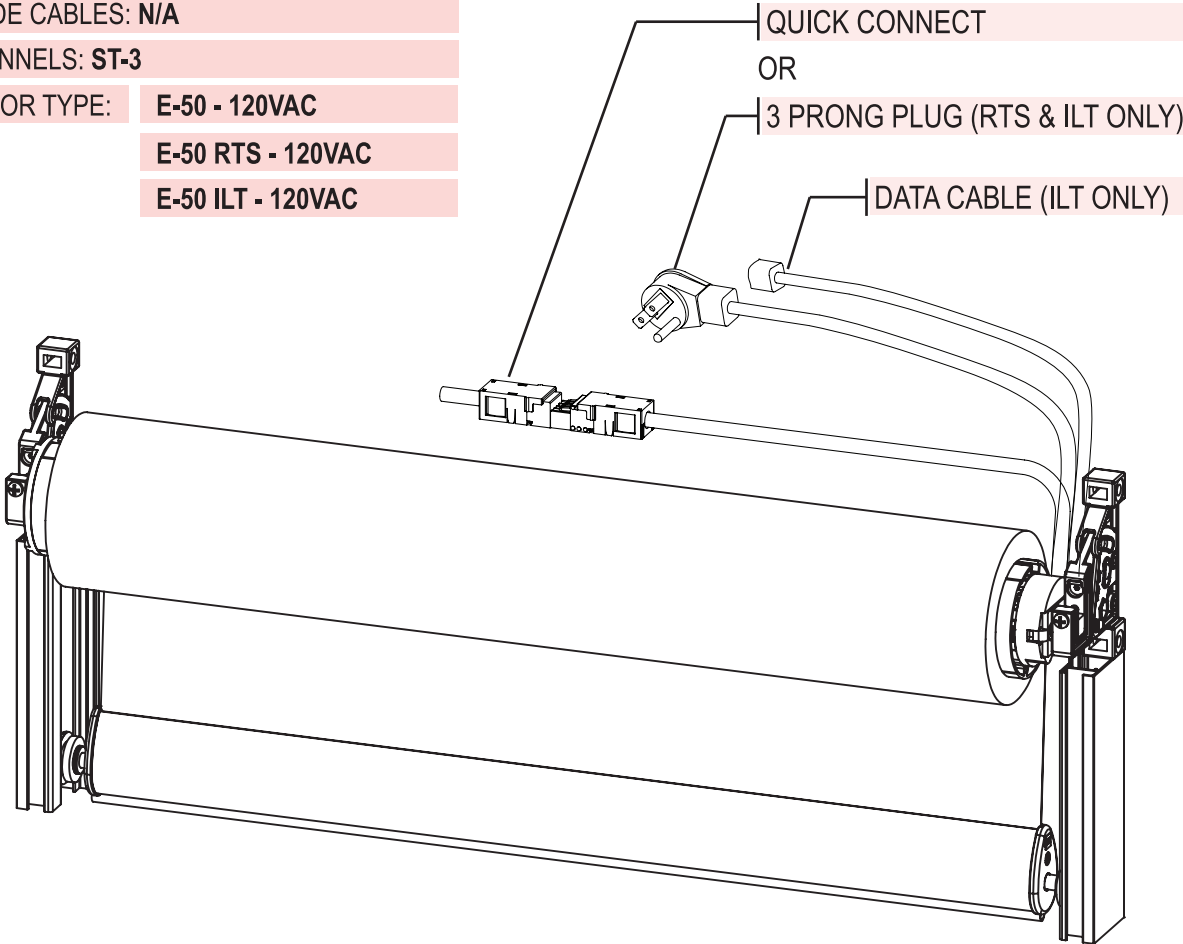
AVAILABLE IN :

**QUICK CONNECT**

OR

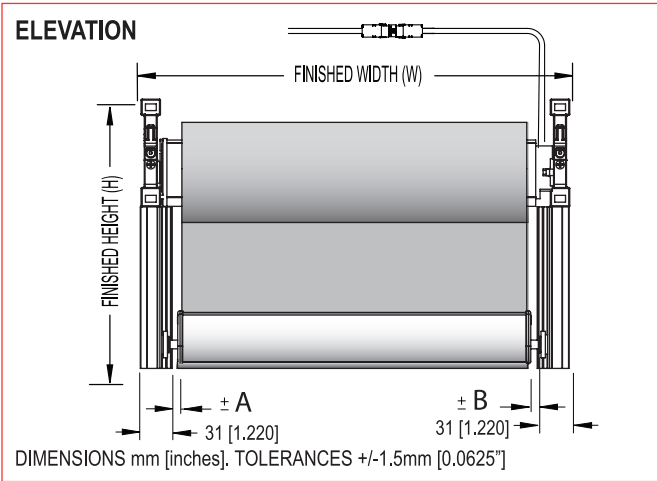
**3 PRONG PLUG (RTS & ILT ONLY)**

**DATA CABLE (ILT ONLY)**

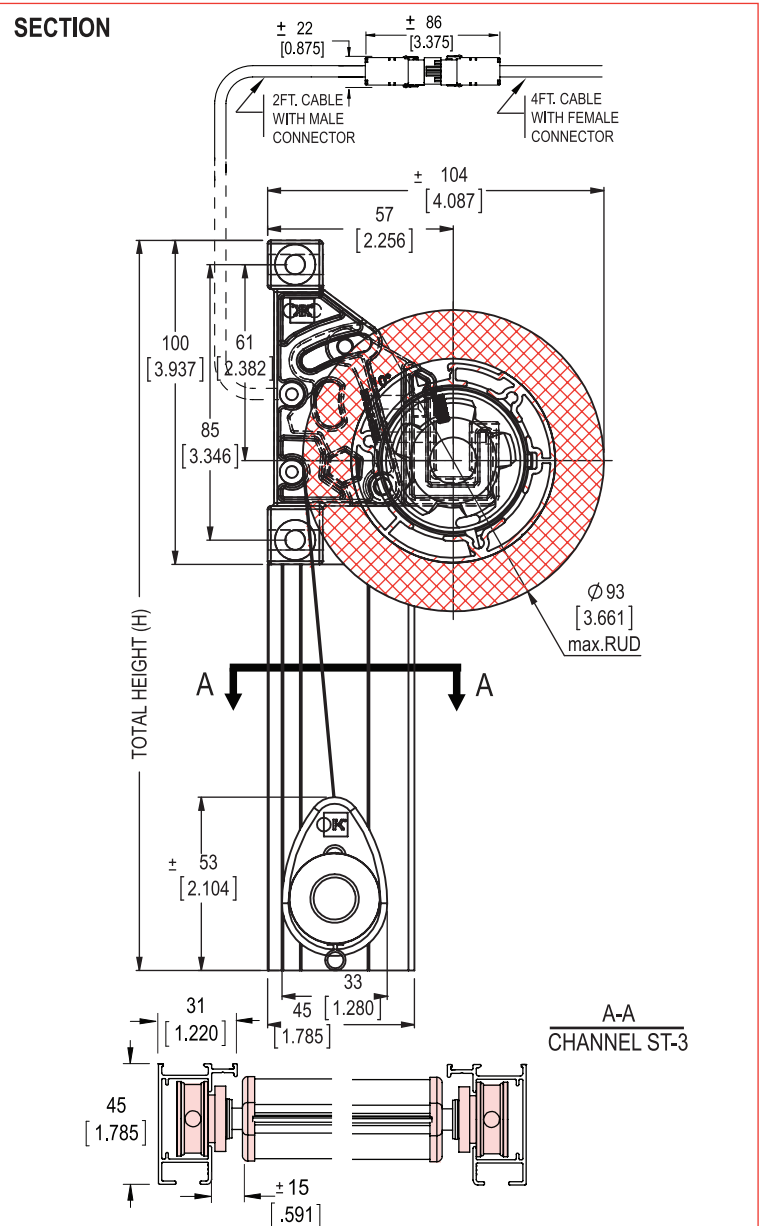
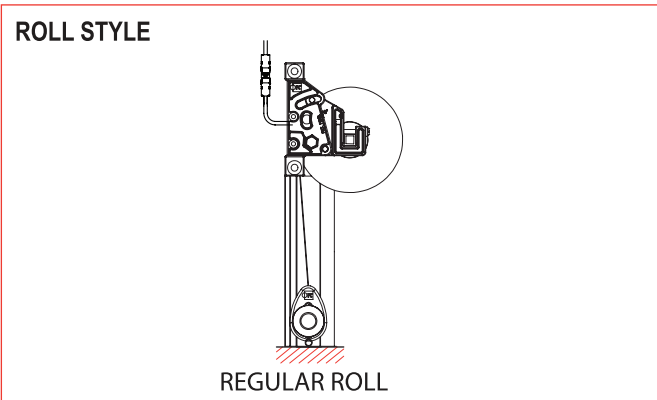
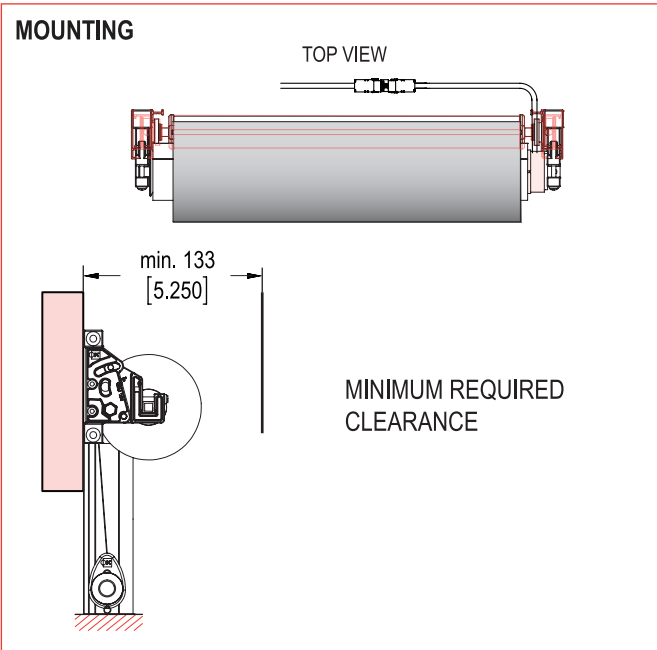


**TK3-OR-HP-EM-UQM50**

**OPEN ROLL WITH "HP" BRACKET**



DIMENSION	FABRIC EDGE CLEARANCE [ ±mm / ±in ] BY TUBE TYPE				
	32	38	46	53	63
A	n/a	n/a	n/a	n/a	10 0.375
B	n/a	n/a	n/a	n/a	10 0.375



**MODEL** | **TK3-OR-HP-EM63-UQM50 RTS**

NOTE: For size limitation guidelines, please refer to our Size Limitation Detail Sheets or contact our Technical Department.

MONTREAL T: 800.363.5930 @: info@altex.ca	TORONTO T: 888.836.6980 @: sales@altex.ca	VANCOUVER T: 888.980.9899 @: servicewest@altex.ca
---	---	---

**TEKNO<sup>®</sup> TK-3**

**ELEKTRA**    **ULTRA QUIET MOTOR**

**CASSETTE C-125**

**SHADE HOLDER: N/A**

**GUIDE CABLES: N/A**

**CHANNELS: ST-3**

**MOTOR TYPE: UQM 50 - 120VAC**

**UQM 50 RTS - 120VAC**

**UQM 50 ILT - 120VAC**

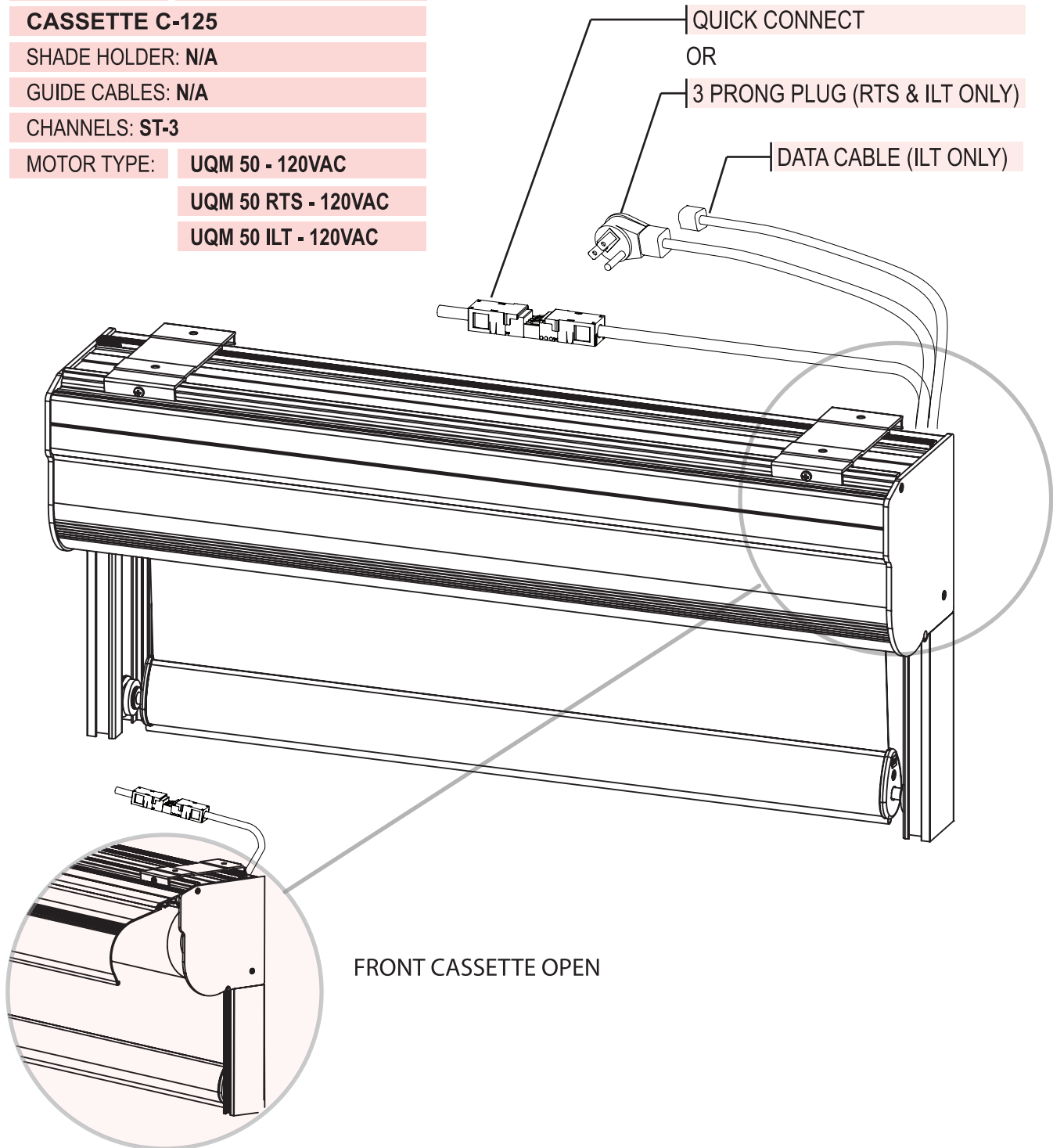
AVAILABLE IN :

QUICK CONNECT

OR

3 PRONG PLUG (RTS & ILT ONLY)

DATA CABLE (ILT ONLY)

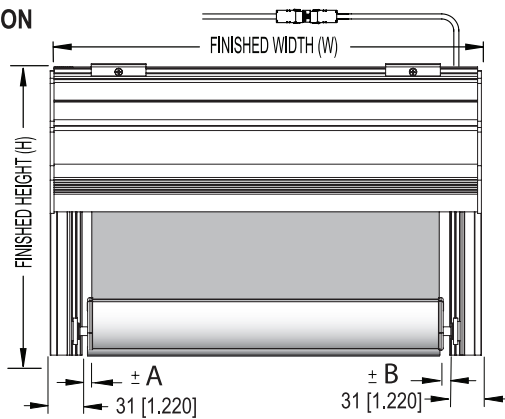


FRONT CASSETTE OPEN

**TK3-C125-EM-UQM50**

**WITH CASSETTE C-125**

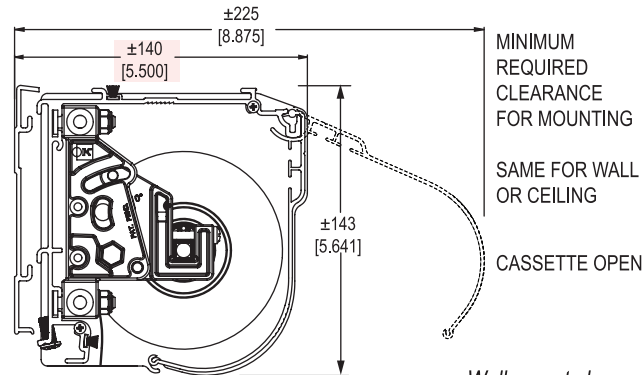
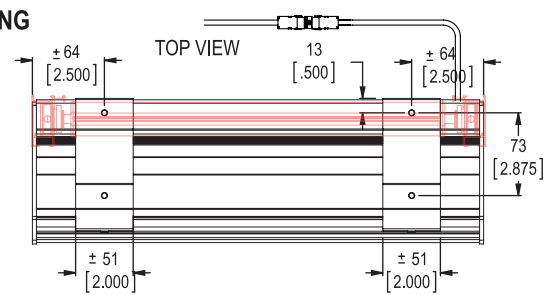
### ELEVATION



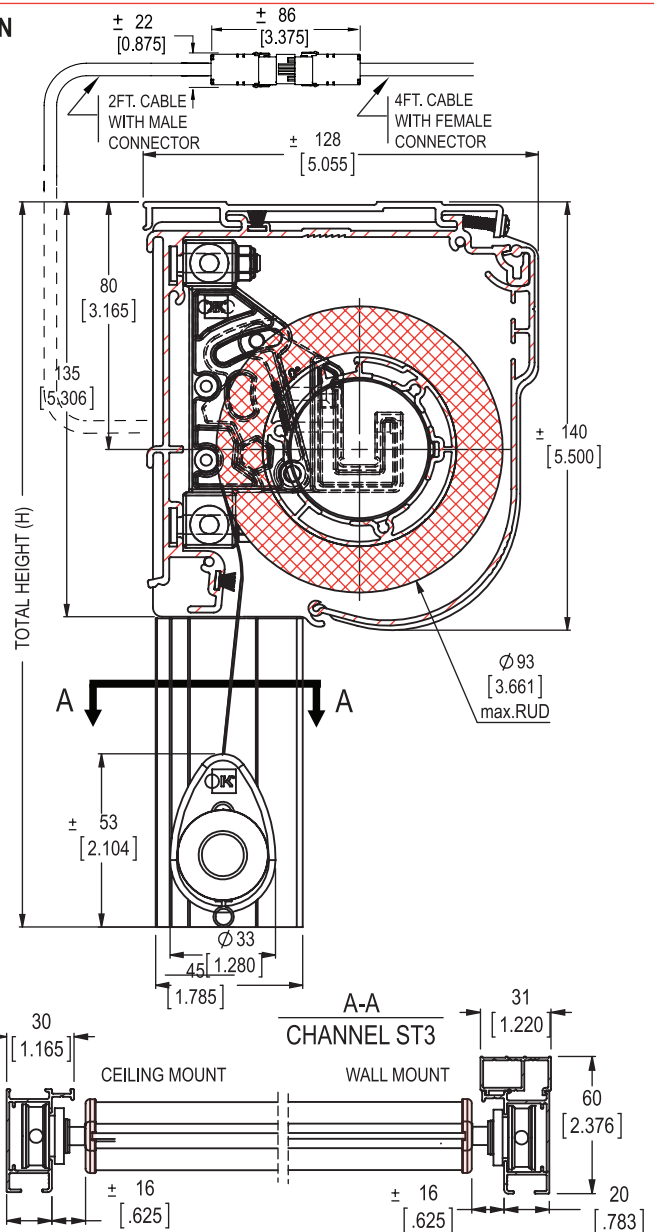
DIMENSIONS mm [inches]. TOLERANCES +/-1.5mm [0.0625"]

DIMENSION	FABRIC EDGE CLEARANCE [ ±mm / ±in ] BY TUBE TYPE				
	32	38	46	53	63
A	n/a	n/a	n/a	n/a	10 0.375
B	n/a	n/a	n/a	n/a	10 0.375

### MOUNTING

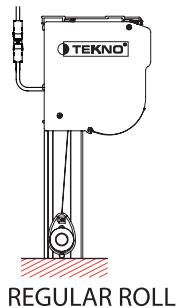


### SECTION



MODEL	TK3-C125-EM63-UQM50-RTS
-------	-------------------------

### ROLL STYLE



NOTE: For size limitation guidelines, please refer to our Size Limitation Detail Sheets or contact our Technical Department.

MONTREAL T: 800.363.5930 @: info@altex.ca	TORONTO T: 888.836.6980 @: sales@altex.ca	VANCOUVER T: 888.980.9899 @: servicewest@altex.ca
---	---	---



**TEKNO<sup>®</sup> TK-4**

**ELEKTRA** | **ULTRA QUIET MOTOR**

**CASSETTE C-125**

**SHADE HOLDER: N/A**

**GUIDE CABLES: N/A**

**CHANNELS: T-480**

**MOTOR TYPE: UQM 50 - 120VAC**

**UQM 50 RTS - 120VAC**

**UQM 50 ILT - 120VAC**

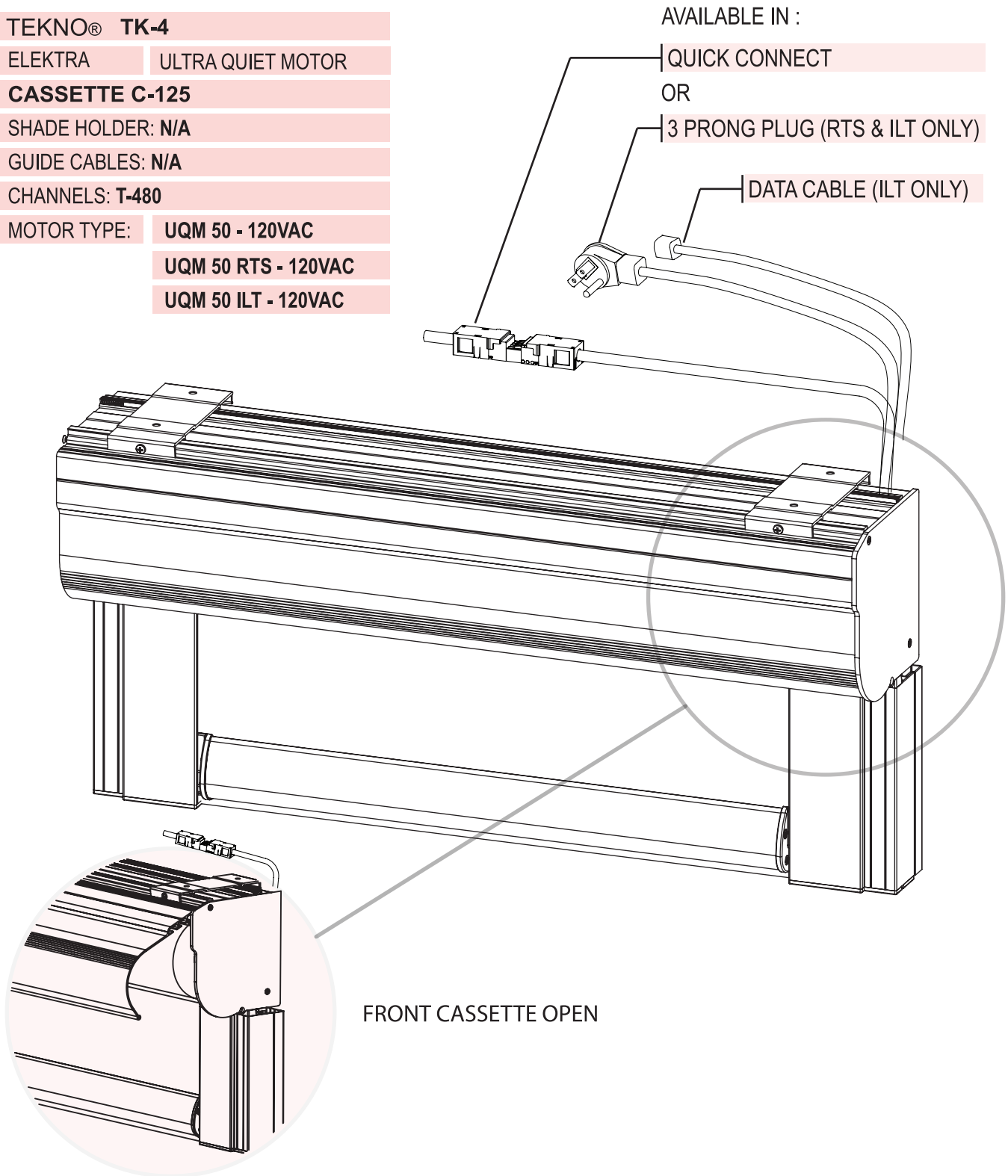
AVAILABLE IN :

QUICK CONNECT

OR

3 PRONG PLUG (RTS & ILT ONLY)

DATA CABLE (ILT ONLY)

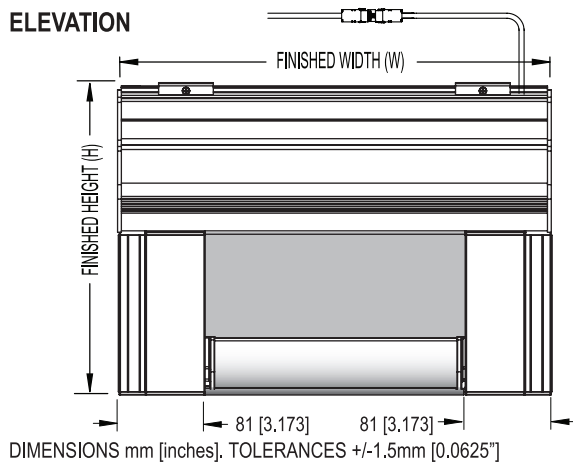


FRONT CASSETTE OPEN

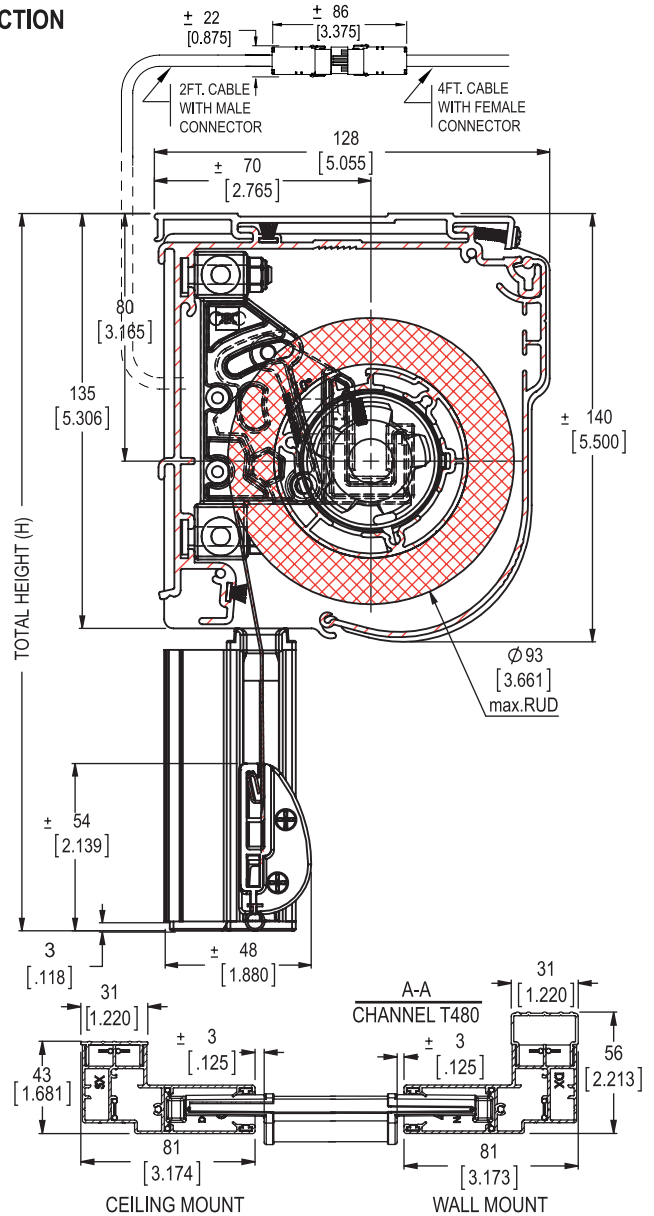
**TK4-C125-EM-UQM50**

**WITH CASSETTE C-125**

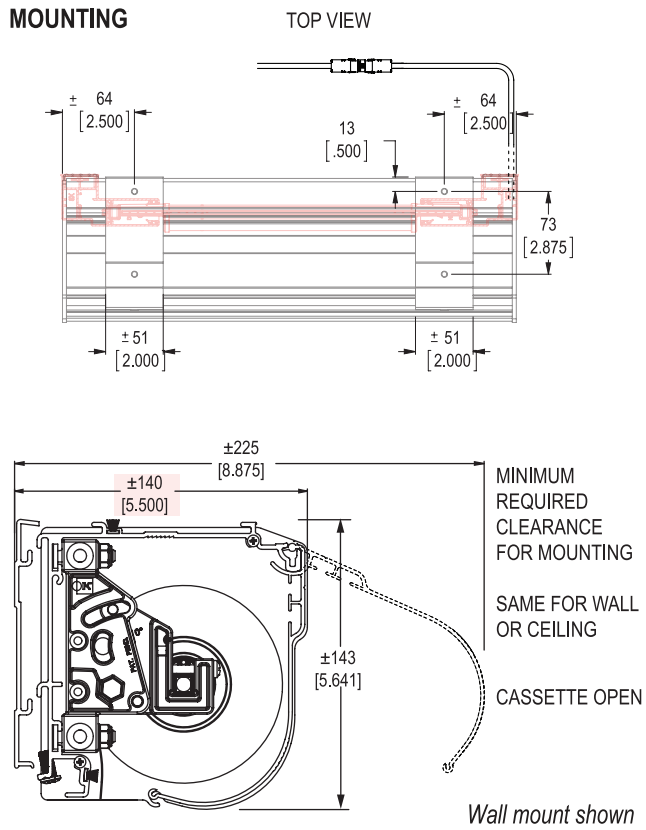
### ELEVATION



### SECTION

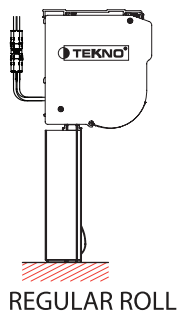


### MOUNTING



**MODEL TK4-C125-EM63-UQM50 RTS**

### ROLL STYLE



NOTE: For size limitation guidelines, please refer to our Size Limitation Detail Sheets or contact our Technical Department.

MONTREAL T: 800.363.5930 @: info@altex.ca	TORONTO T: 888.836.6980 @: sales@altex.ca	VANCOUVER T: 888.980.9899 @: servicewest@altex.ca
---	---	---

**TEKNO<sup>®</sup> TK-1**

**ELEKTRA**    **ULTRA QUIET MOTOR**

**OPEN ROLL OR-HP**

**SHADE HOLDER: N/A**

**GUIDE CABLES: N/A**

**CHANNELS: N/A**

**MOTOR TYPE: E - 50 - 120VAC**

**E - 50 RTS - 120VAC**

**E - 50 ILT - 120VAC**

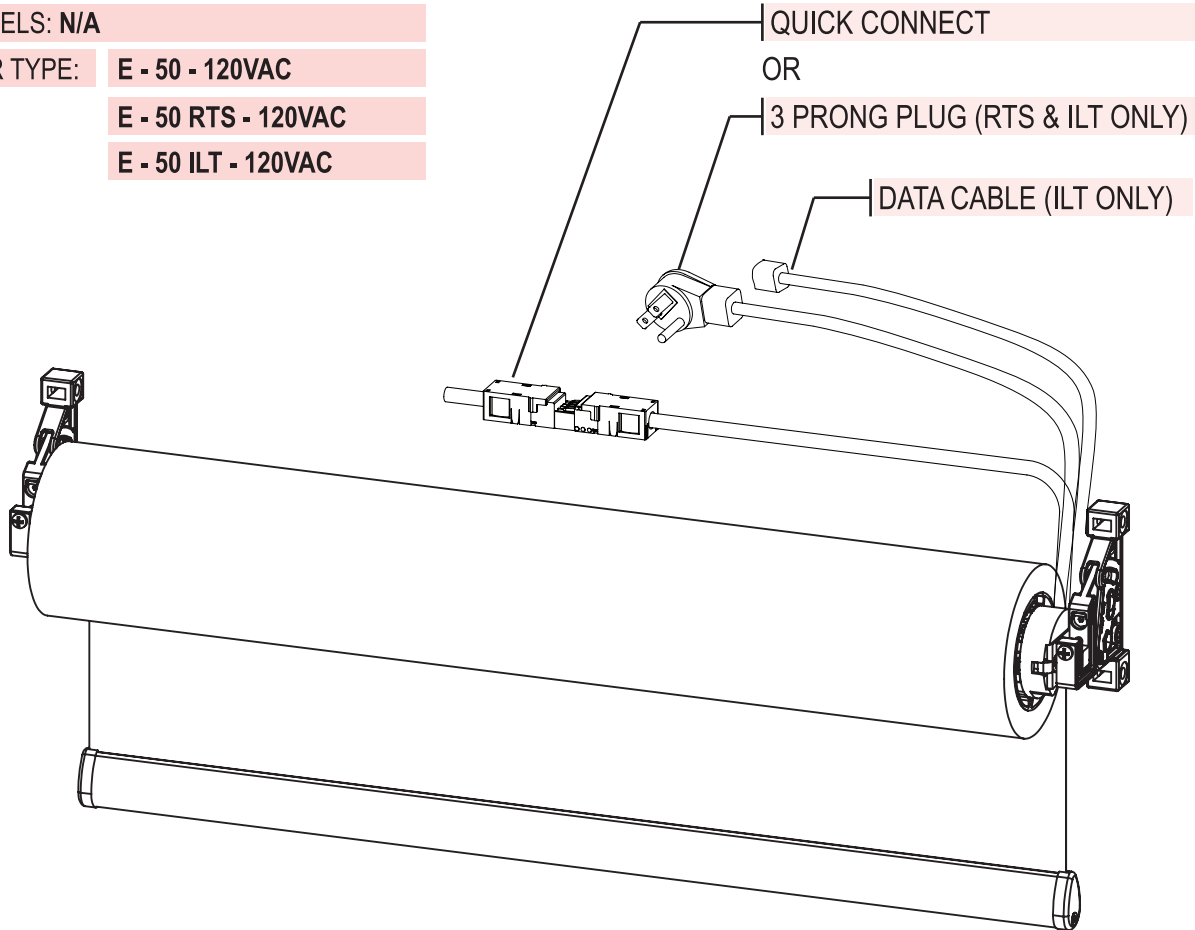
AVAILABLE IN :

**QUICK CONNECT**

OR

**3 PRONG PLUG (RTS & ILT ONLY)**

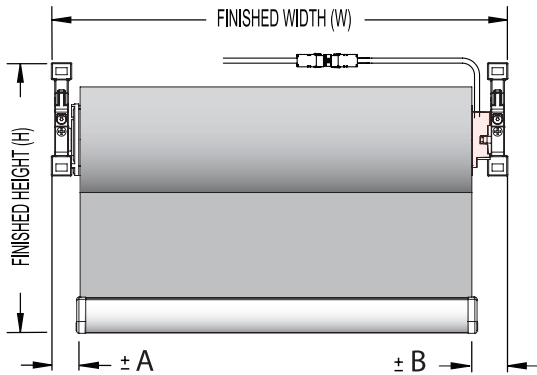
**DATA CABLE (ILT ONLY)**



**TK1-OR-HP-EM-E50**

**OPEN ROLL WITH "HP" BRACKET**

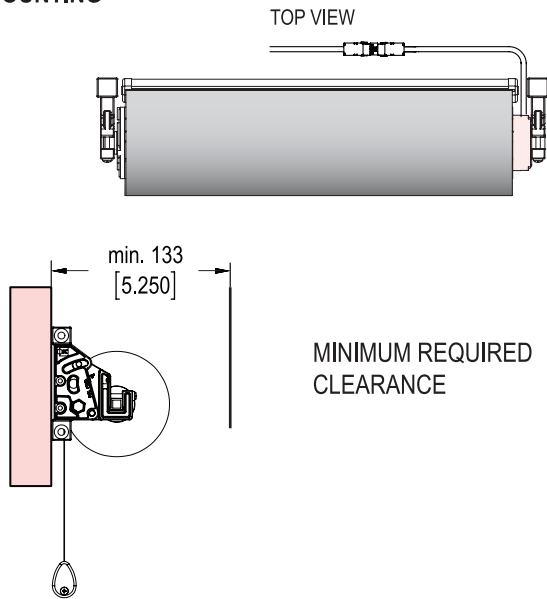
### ELEVATION



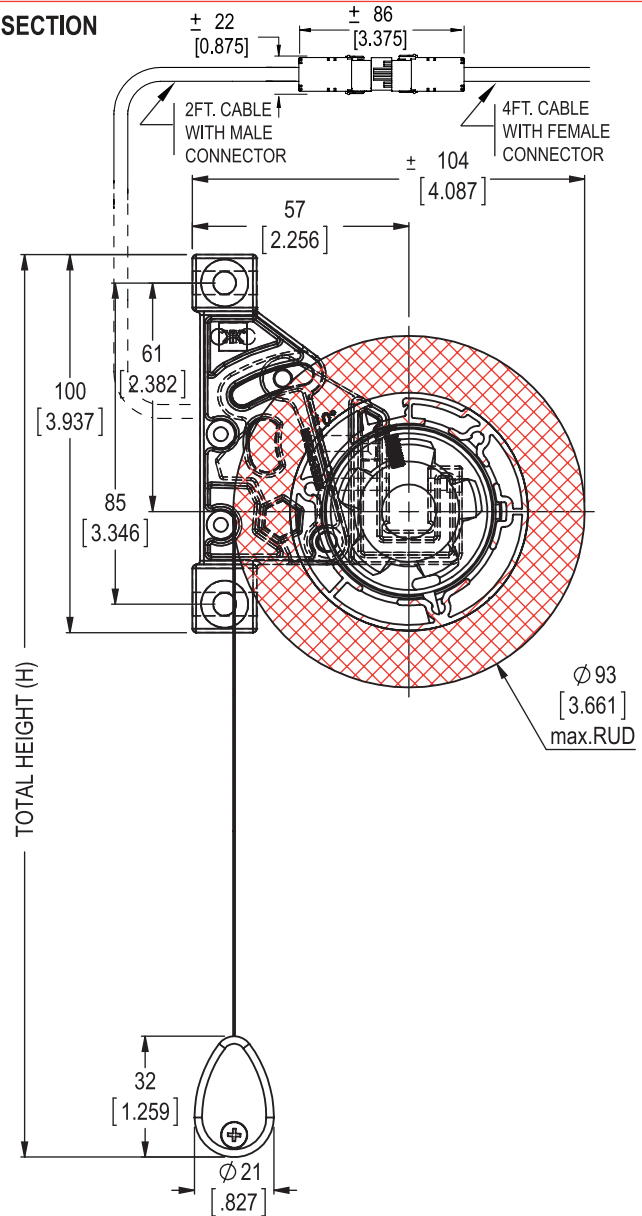
DIMENSIONS mm [inches]. TOLERANCES +/-1.5mm [0.0625"]

DIMENSION	FABRIC EDGE CLEARANCE [ ±mm / ±in] BY TUBE TYPE				
	32	38	46	53	63
A	n/a	n/a	n/a	n/a	25 1.000
B	n/a	n/a	n/a	n/a	32 1.250

### MOUNTING

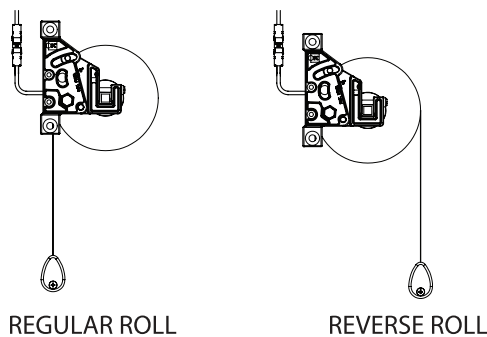


### SECTION



MODEL **TK1-OR-HP-EM63-E50 RTS**

### ROLL STYLE



NOTE: For size limitation guidelines, please refer to our Size Limitation Detail Sheets or contact our Technical Department.

MONTREAL T: 800.363.5930 @: info@altex.ca	TORONTO T: 888.836.6980 @: sales@altex.ca	VANCOUVER T: 888.980.9899 @: servicewest@altex.ca
---	---	---

**TEKNO<sup>®</sup> TK-1**

**ELEKTRA**    **REGULAR MOTOR**

**CASSETTE C-125**

**SHADE HOLDER: N/A**

**GUIDE CABLES: N/A**

**CHANNELS: N/A**

**MOTOR TYPE: E-50 - 120VAC**

**E-50 RTS - 120VAC**

**E-50 ILT - 120VAC**

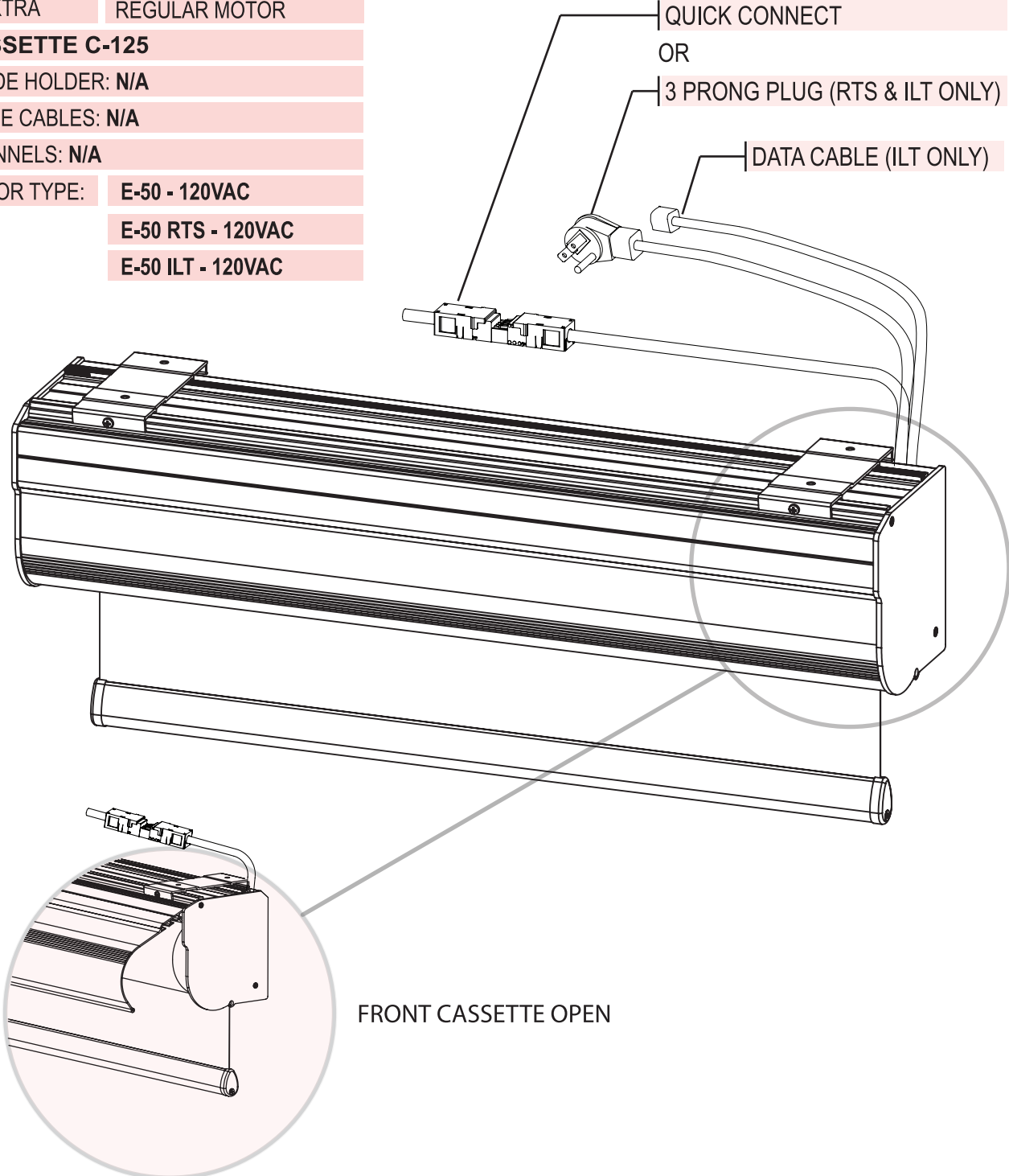
AVAILABLE IN :

**QUICK CONNECT**

OR

**3 PRONG PLUG (RTS & ILT ONLY)**

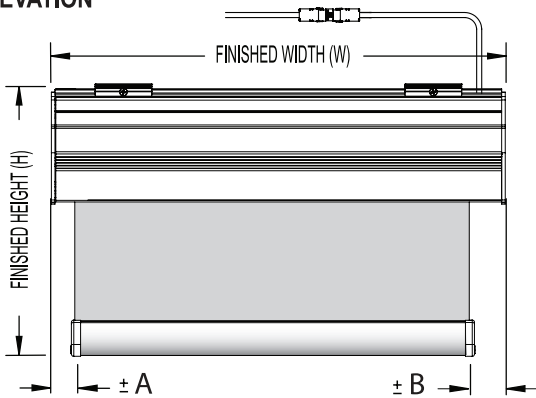
**DATA CABLE (ILT ONLY)**



**TK1-C125-EM-E50**

**WITH CASSETTE C-125**

### ELEVATION

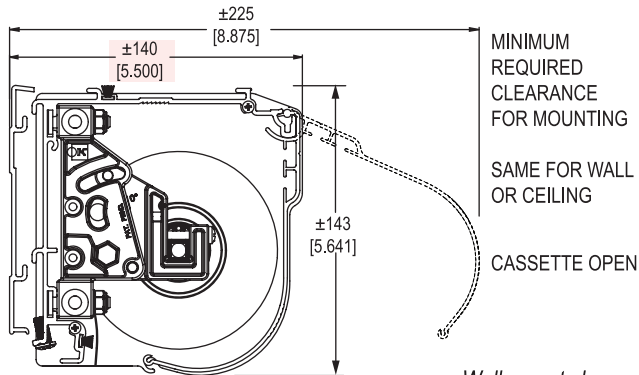
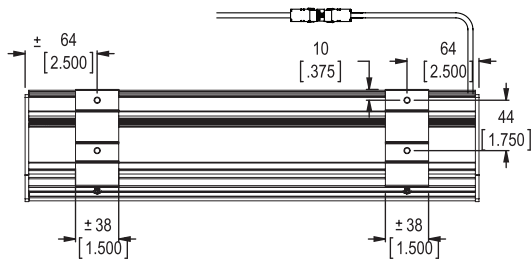


DIMENSIONS mm [inches]. TOLERANCES +/-1.5mm [0.0625"]

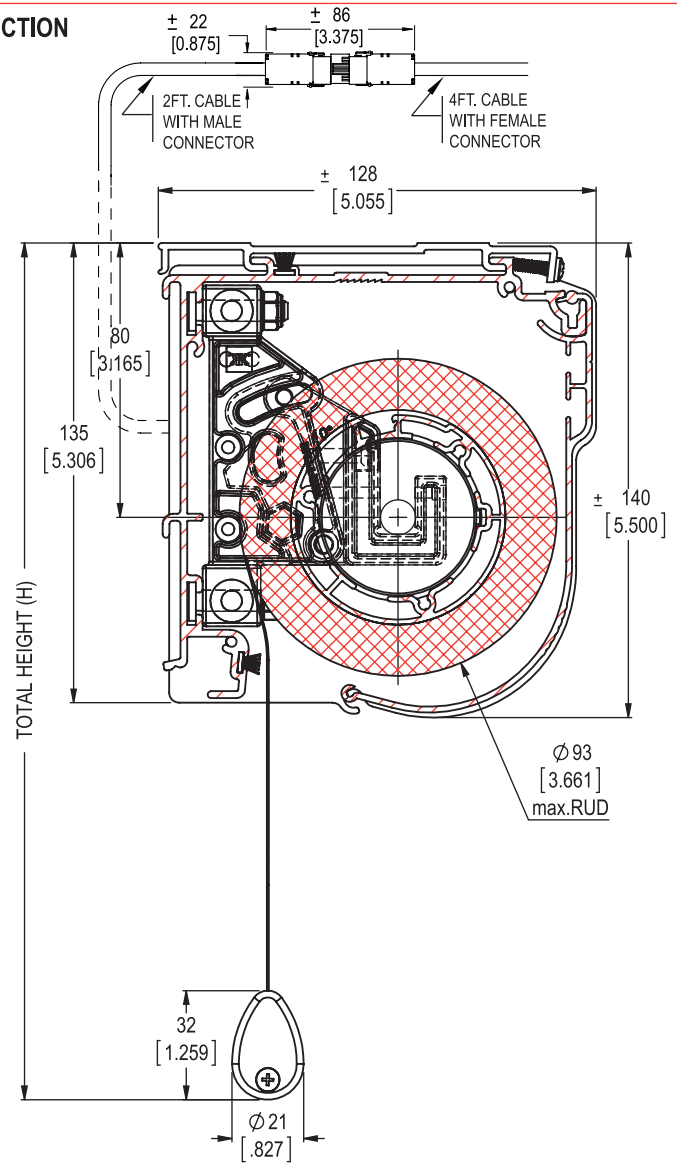
DIMENSION	FABRIC EDGE CLEARANCE [ ±mm / ±in] BY TUBE TYPE					
	32	38	46	53	63	
A	n/a	n/a	n/a	n/a	29	1.125
B	n/a	n/a	n/a	n/a	35	1.375

### MOUNTING

#### TOP VIEW

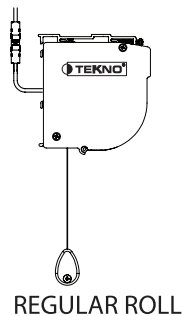


### SECTION



**MODEL** TK1-C125-EM63-E50 RTS

### ROLL STYLE



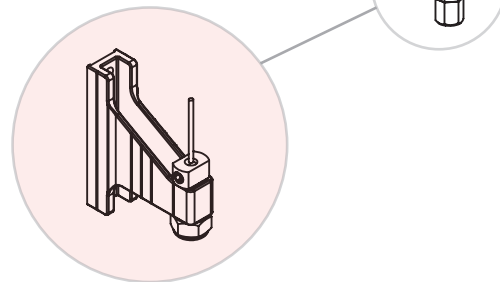
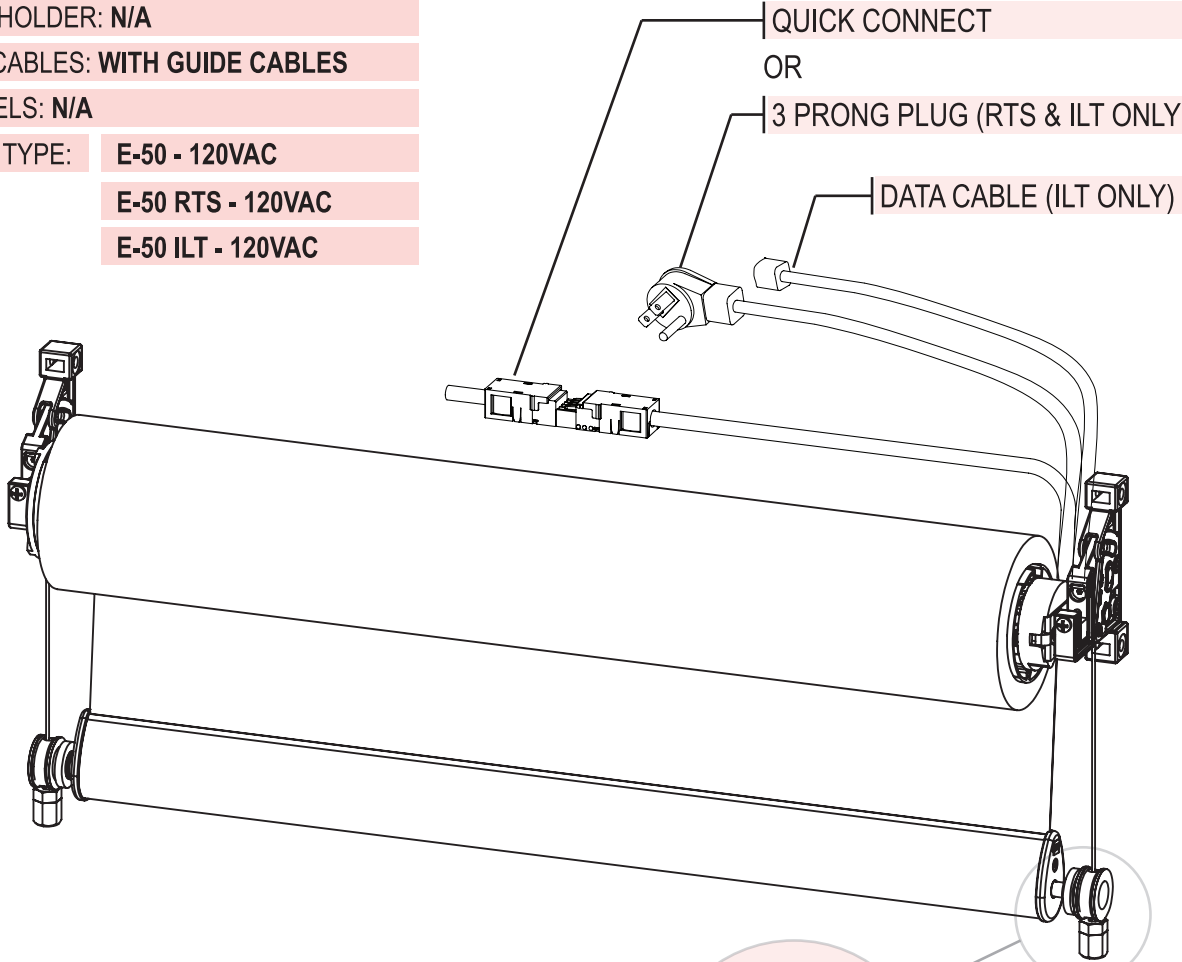
NOTE: For size limitation guidelines, please refer to our Size Limitation Detail Sheets or contact our Technical Department.

MONTREAL T: 800.363.5930 @: info@altex.ca	TORONTO T: 888.836.6980 @: sales@altex.ca	VANCOUVER T: 888.980.9899 @: servicewest@altex.ca
---	---	---

<b>TEKNO<sup>®</sup> TK-2</b>	
<b>ELEKTRA</b>	REGULAR MOTOR
<b>OPEN ROLL OR-HP</b>	
SHADE HOLDER: N/A	
GUIDE CABLES: <b>WITH GUIDE CABLES</b>	
CHANNELS: N/A	
MOTOR TYPE:	<b>E-50 - 120VAC</b>
	<b>E-50 RTS - 120VAC</b>
	<b>E-50 ILT - 120VAC</b>

AVAILABLE IN :

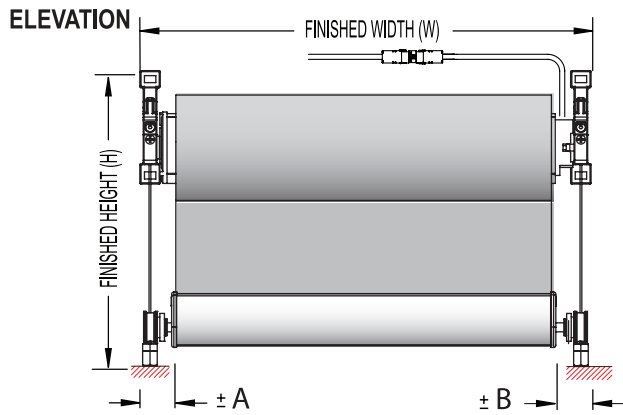
- QUICK CONNECT
- OR
- 3 PRONG PLUG (RTS & ILT ONLY)
- DATA CABLE (ILT ONLY)



OPTIONAL WALL MOUNTED  
GUIDE CABLE ANCHORING BRACKET

**TK2-OR-HP-EM-E50**

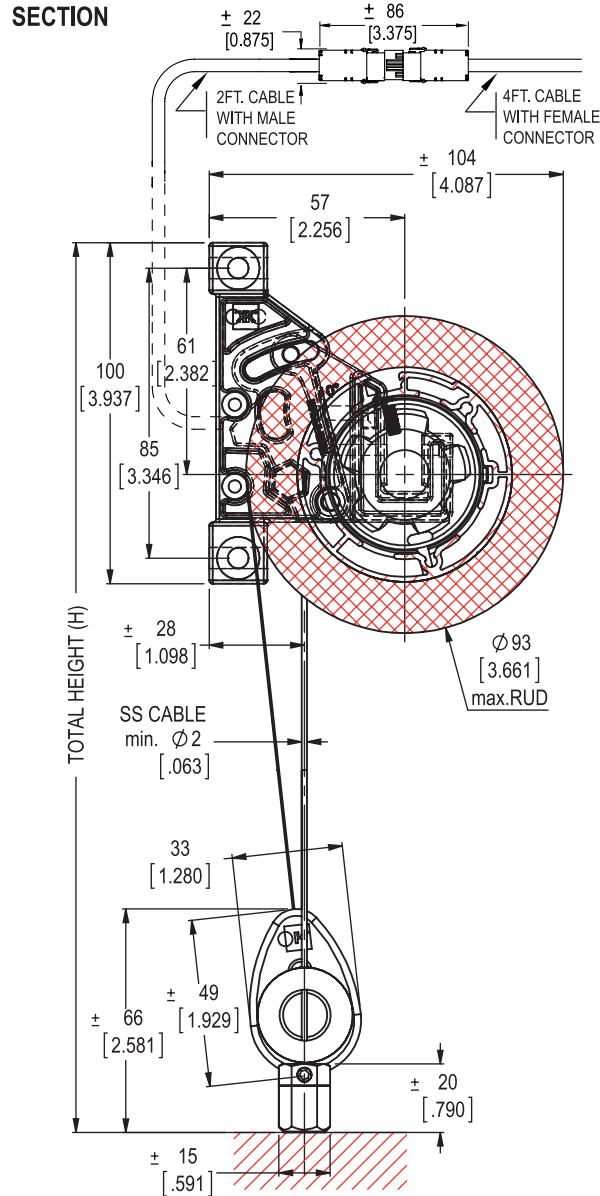
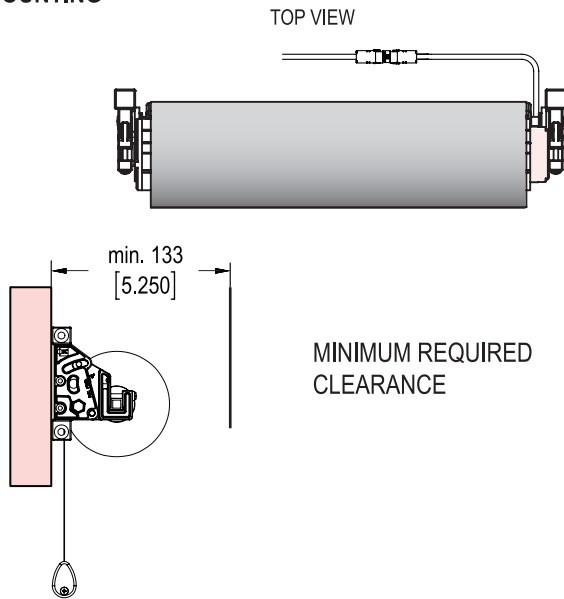
**OPEN ROLL WITH "HP" BRACKET**



DIMENSIONS mm [inches]. TOLERANCES +/-1.5mm [0.0625"]

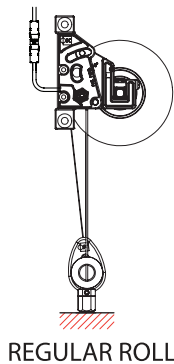
DIMENSION	FABRIC EDGE CLEARANCE [ ±mm / ±in] BY TUBE TYPE						
	32	38	46	53	63		
A	n/a	n/a	n/a	n/a	n/a	32	1.250
B	n/a	n/a	n/a	n/a	n/a	35	1.375

### MOUNTING



MODEL **TK2-OR-HP-EM63-E50 RTS**

### ROLL STYLE



NOTE: For size limitation guidelines, please refer to our Size Limitation Detail Sheets or contact our Technical Department.

MONTREAL T: 800.363.5930 @: info@altex.ca	TORONTO T: 888.836.6980 @: sales@altex.ca	VANCOUVER T: 888.980.9899 @: servicewest@altex.ca
---	---	---



**TEKNO<sup>®</sup> TK-2**

**ELEKTRA**    **REGULAR MOTOR**

**CASSETTE C-125**

**SHADE HOLDER: N/A**

**GUIDE CABLES: WITH GUIDE CABLES**

**CHANNELS: N/A**

**MOTOR TYPE: E-50 - 120VAC**

**E-50 RTS - 120VAC**

**E-50 ILT - 120VAC**

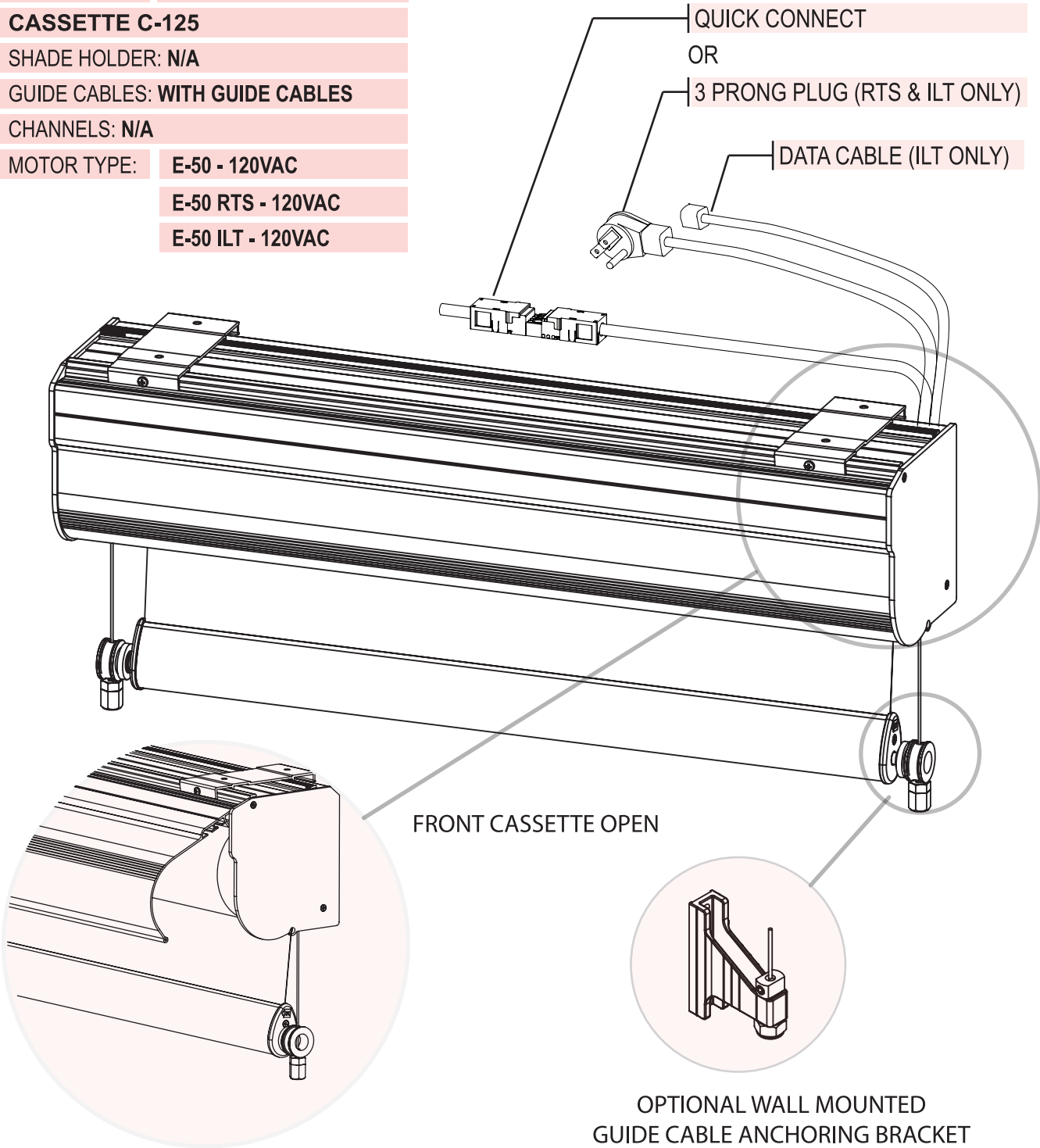
AVAILABLE IN :

**QUICK CONNECT**

OR

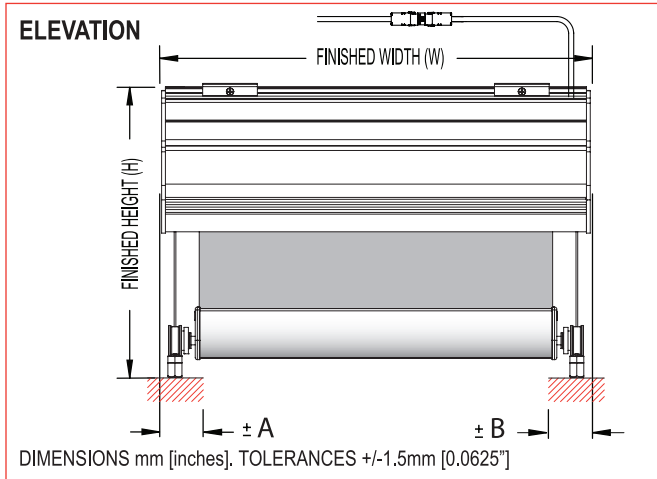
**3 PRONG PLUG (RTS & ILT ONLY)**

**DATA CABLE (ILT ONLY)**

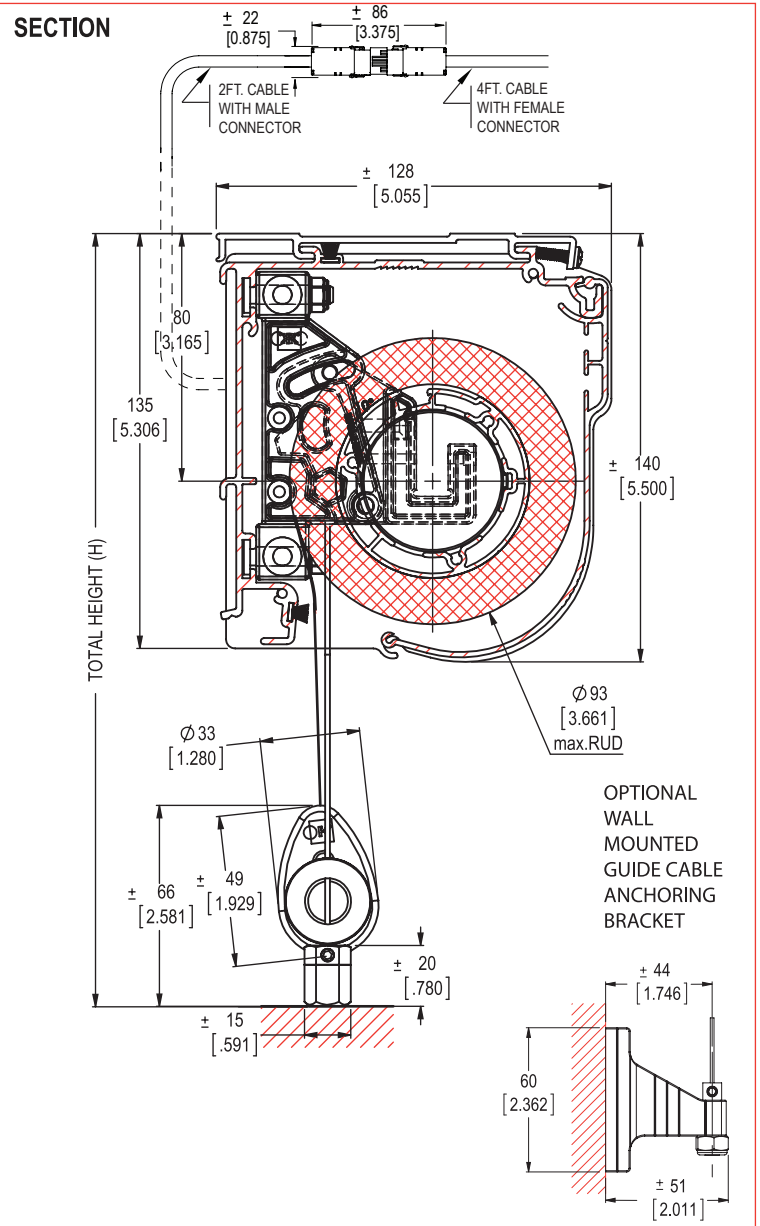
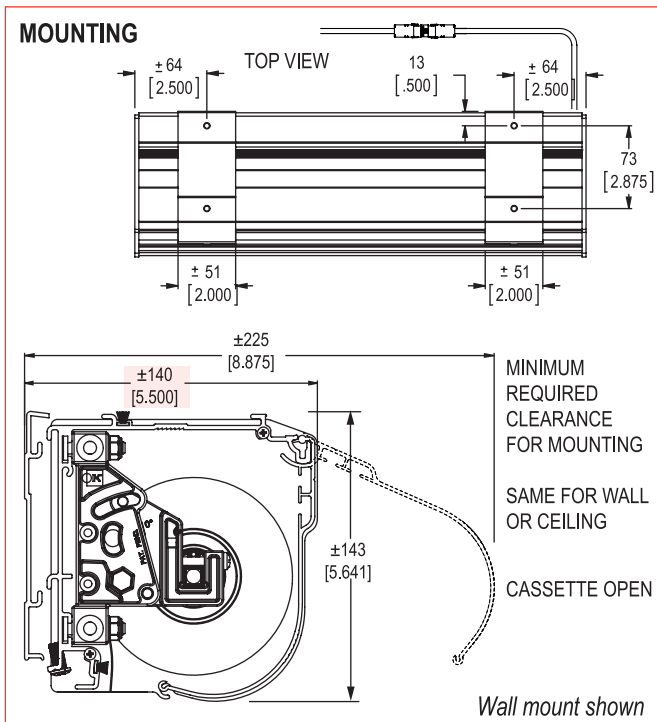


**TK2-C125-EM-E50**

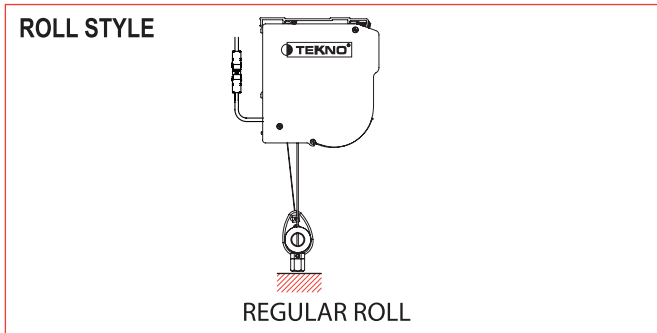
**WITH CASSETTE C-125**



DIMENSION	FABRIC EDGE CLEARANCE [ ±mm / ±in ] BY TUBE TYPE				
	32	38	46	53	63
A	n/a	n/a	n/a	n/a	35 1.375
B	n/a	n/a	n/a	n/a	38 1.500



**MODEL** | **TK2-C125-EM63-E50 RTS**



*NOTE: For size limitation guidelines, please refer to our Size Limitation Detail Sheets or contact our Technical Department.*

MONTREAL T: 800.363.5930 @: info@altex.ca	TORONTO T: 888.836.6980 @: sales@altex.ca	VANCOUVER T: 888.980.9899 @: servicewest@altex.ca
---	---	---

**TEKNO<sup>®</sup> TK-3**

**ELEKTRA** REGULAR MOTOR

**OPEN ROLL OR-HP**

SHADE HOLDER: N/A

GUIDE CABLES: N/A

CHANNELS: **ST-3**

MOTOR TYPE: **E-50 - 120VAC**

**E-50 RTS - 120VAC**

**E-50 ILT - 120VAC**

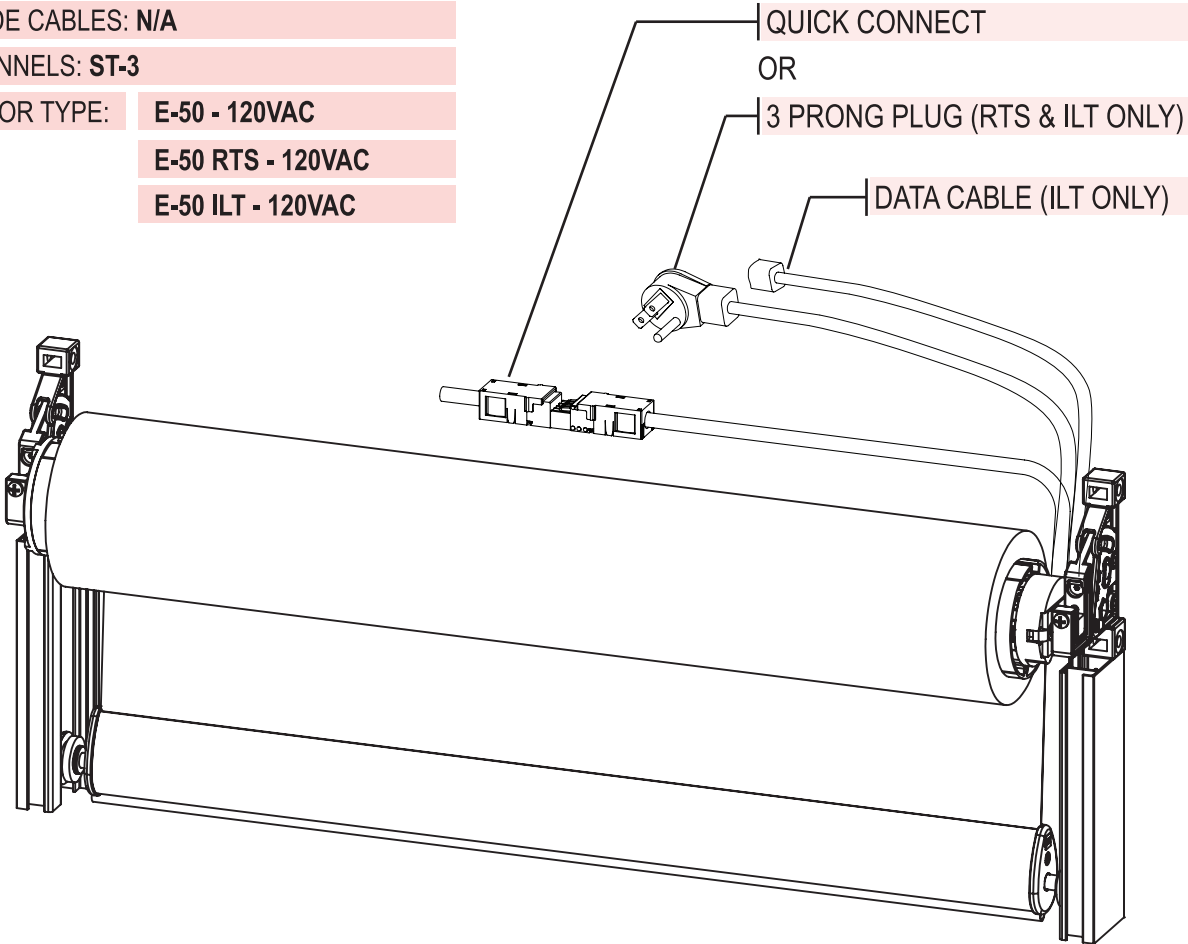
AVAILABLE IN :

QUICK CONNECT

OR

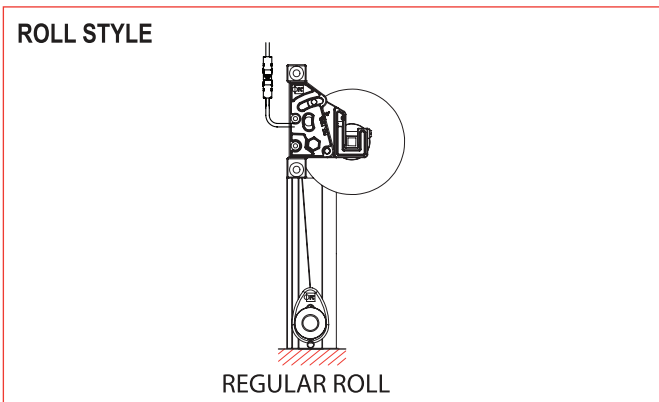
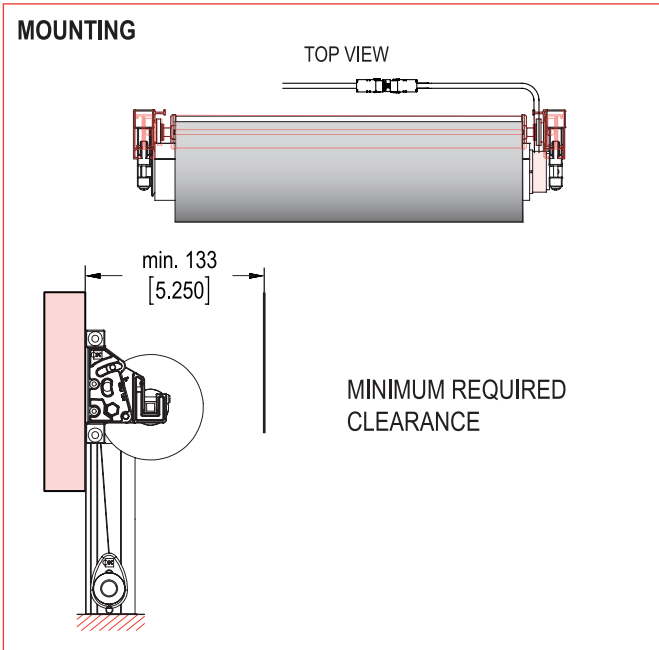
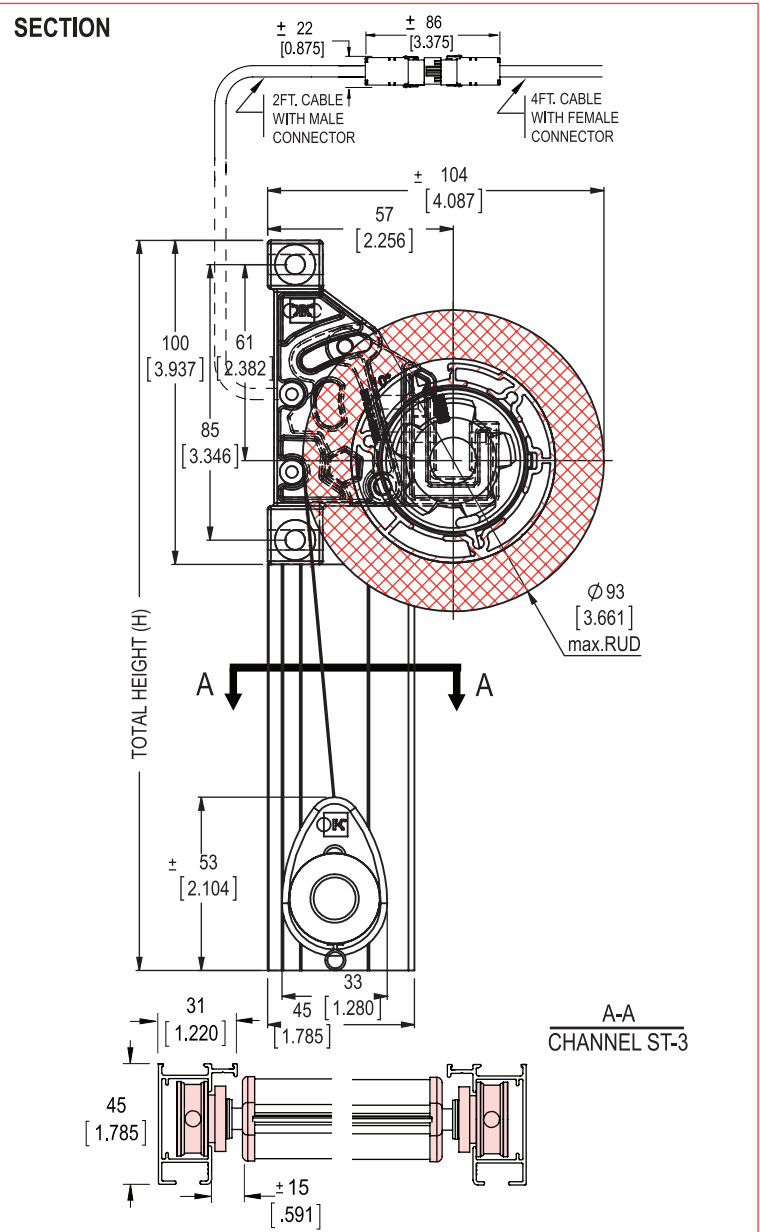
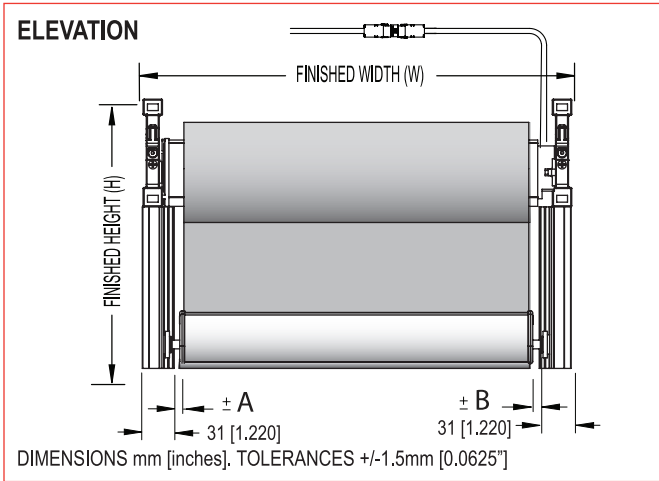
3 PRONG PLUG (RTS & ILT ONLY)

DATA CABLE (ILT ONLY)



**TK3-OR-HP-EM-E50**

**OPEN ROLL WITH "HP" BRACKET**



**MODEL** | **TK3-OR-HP-EM63-E50 RTS**

*NOTE: For size limitation guidelines, please refer to our Size Limitation Detail Sheets or contact our Technical Department.*

MONTREAL T: 800.363.5930 @: info@altex.ca	TORONTO T: 888.836.6980 @: sales@altex.ca	VANCOUVER T: 888.980.9899 @: servicewest@altex.ca
---	---	---

**TEKNO<sup>®</sup> TK-3**

**ELEKTRA** REGULAR MOTOR

**CASSETTE C-125**

SHADE HOLDER: N/A

GUIDE CABLES: N/A

CHANNELS: **ST-3**

MOTOR TYPE: **E-50 - 120VAC**

**E-50 RTS - 120VAC**

**E-50 ILT - 120VAC**

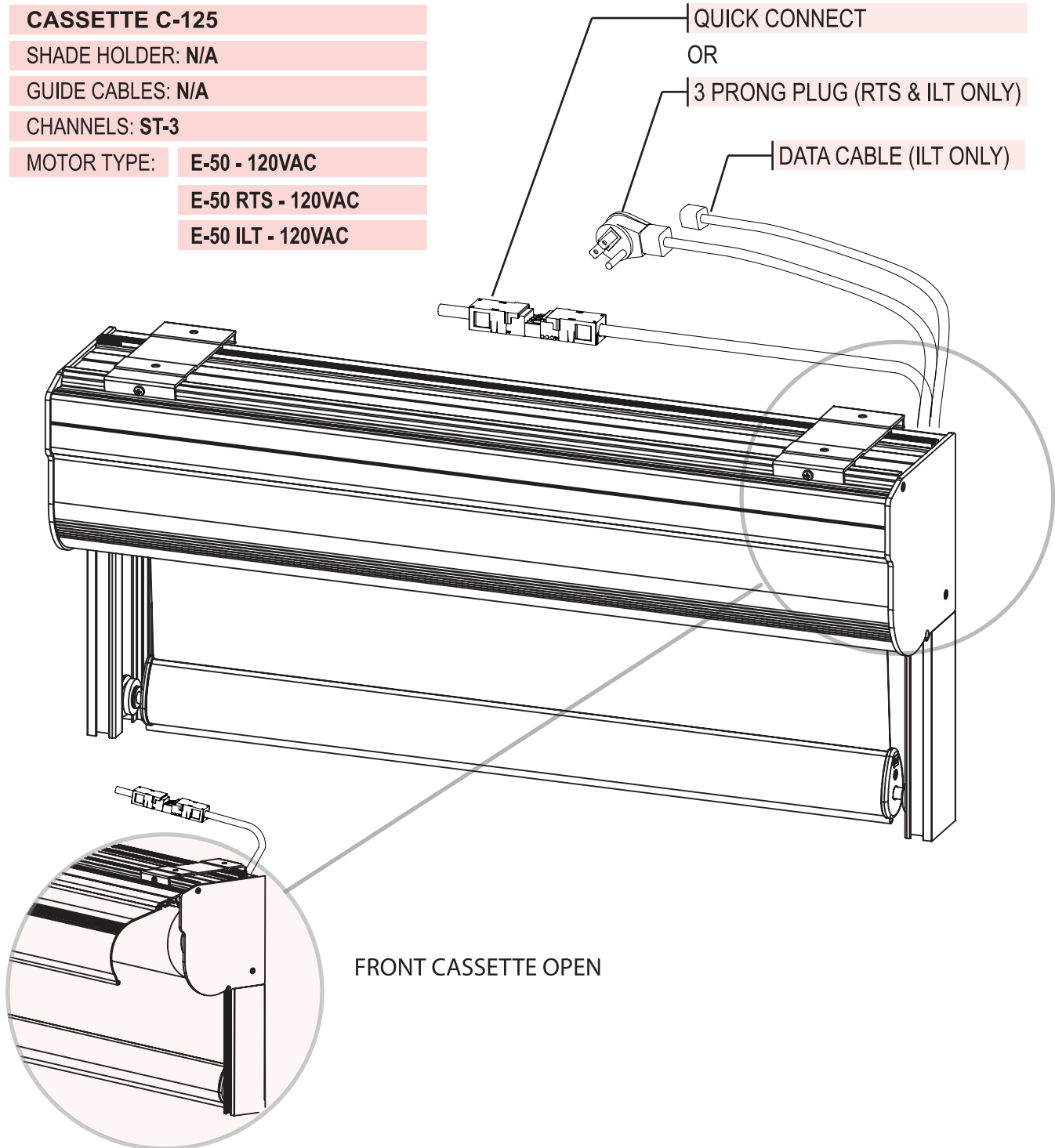
AVAILABLE IN :

QUICK CONNECT

OR

3 PRONG PLUG (RTS & ILT ONLY)

DATA CABLE (ILT ONLY)

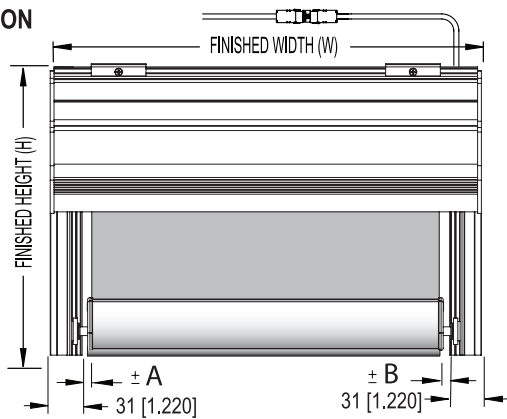


FRONT CASSETTE OPEN

**TK3-C125-EM-E50**

**WITH CASSETTE C-125**

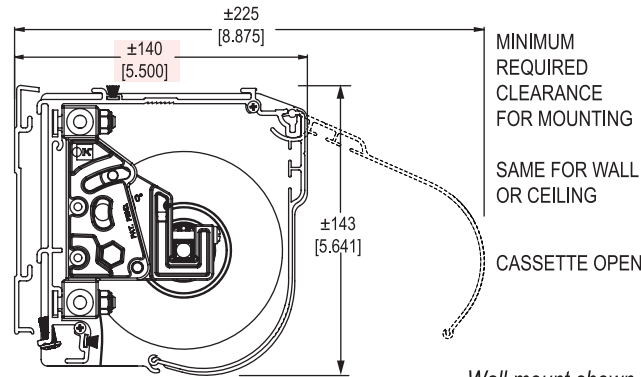
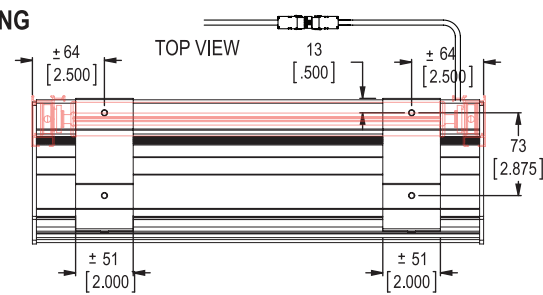
### ELEVATION



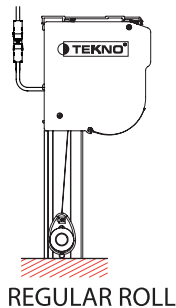
DIMENSIONS mm [inches]. TOLERANCES +/-1.5mm [0.0625"]

DIMENSION	FABRIC EDGE CLEARANCE [ ±mm / ±in ] BY TUBE TYPE				
	32	38	46	53	63
A	n/a	n/a	n/a	n/a	10 0.375
B	n/a	n/a	n/a	n/a	10 0.375

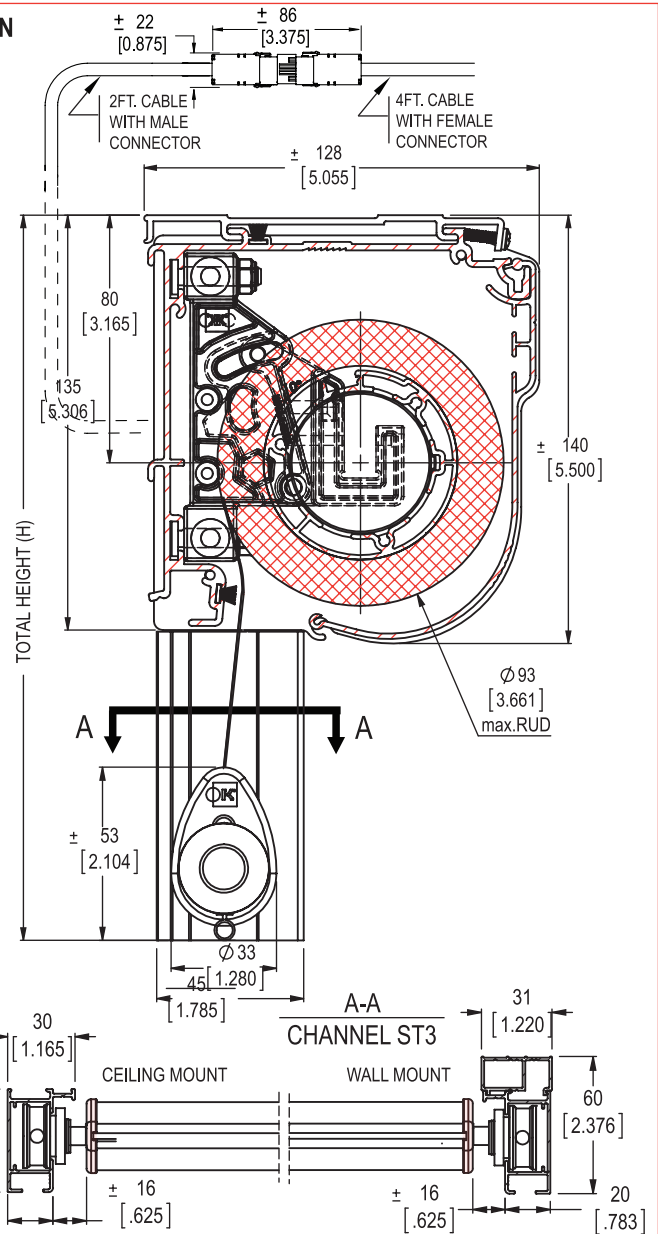
### MOUNTING



### ROLL STYLE



### SECTION



**MODEL TK3-C125-EM63-E50-RTS**

NOTE: For size limitation guidelines, please refer to our Size Limitation Detail Sheets or contact our Technical Department.

MONTREAL T: 800.363.5930 @: info@altex.ca	TORONTO T: 888.836.6980 @: sales@altex.ca	VANCOUVER T: 888.980.9899 @: servicewest@altex.ca
---	---	---

**TEKNO<sup>®</sup> TK-4**

**ELEKTRA**      **REGULAR MOTOR**

**CASSETTE C-125**

**SHADE HOLDER: N/A**

**GUIDE CABLES: N/A**

**CHANNELS: T-480**

**MOTOR TYPE: E-50 - 120VAC**

**E-50 RTS - 120VAC**

**E-50 ILT - 120VAC**

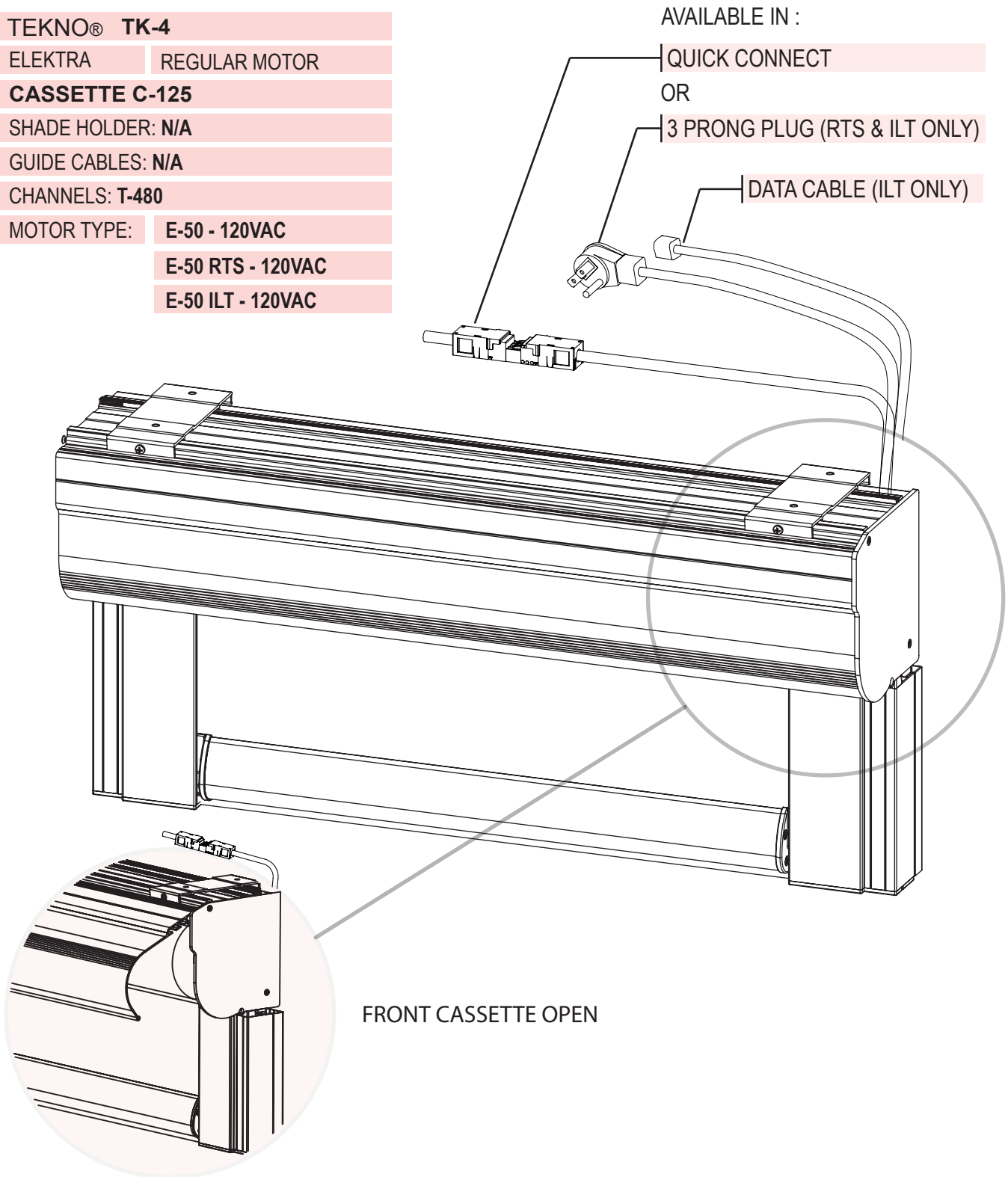
AVAILABLE IN :

QUICK CONNECT

OR

3 PRONG PLUG (RTS & ILT ONLY)

DATA CABLE (ILT ONLY)

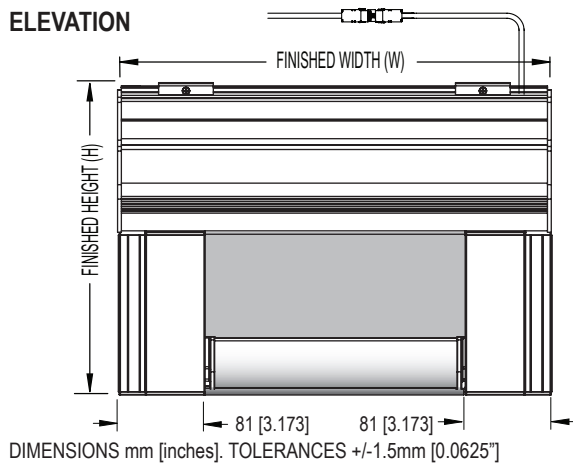


FRONT CASSETTE OPEN

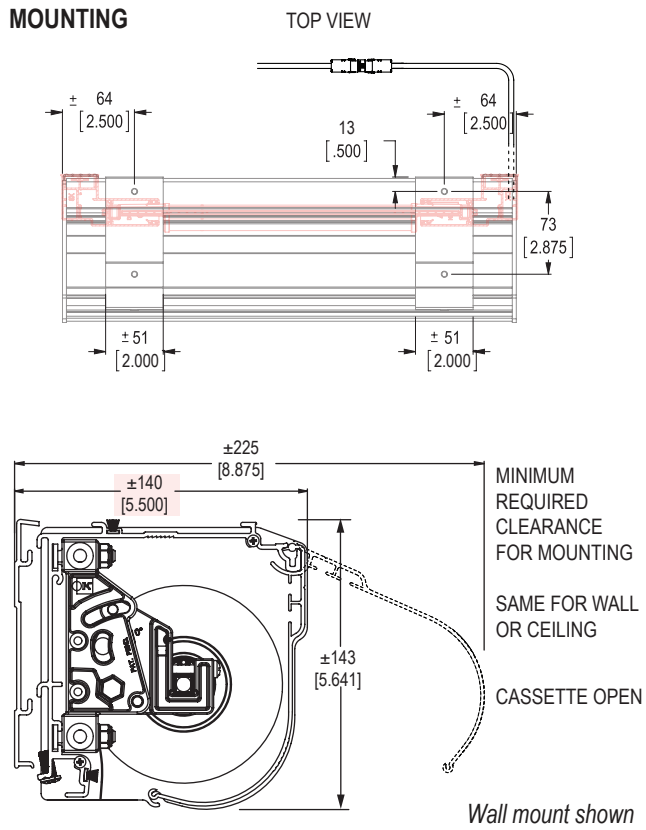
**TK4-C125-EM-E50**

**WITH CASSETTE C-125**

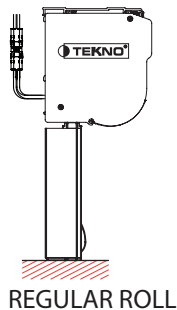
### ELEVATION



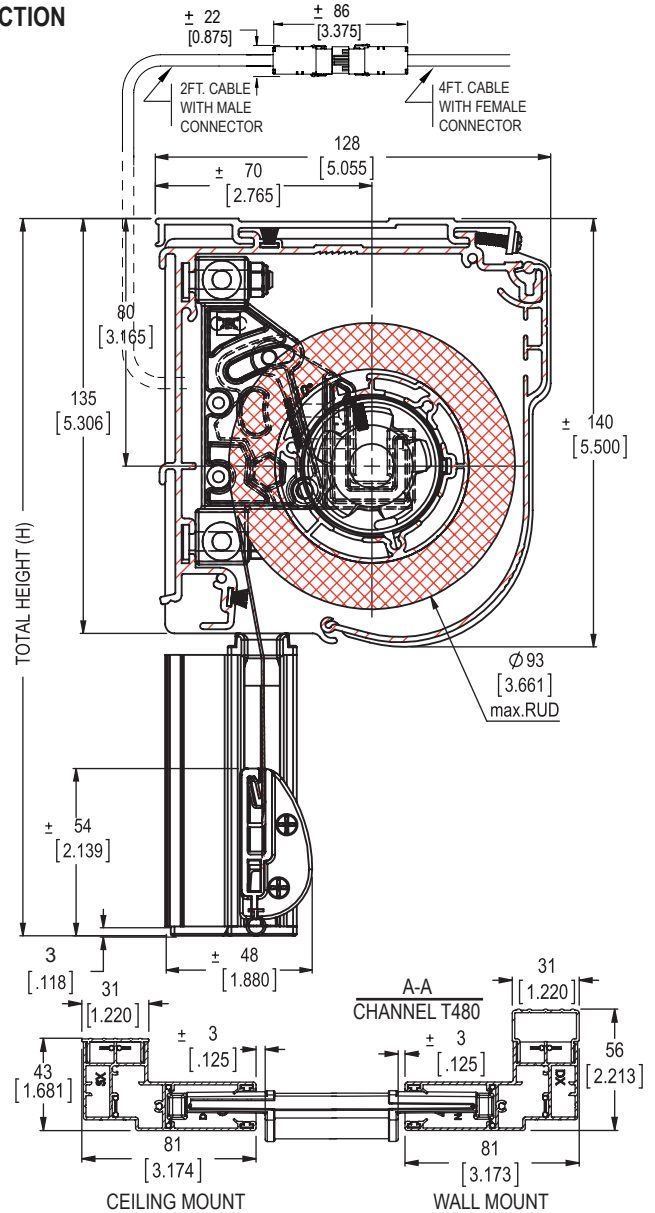
### MOUNTING



### ROLL STYLE



### SECTION



**MODEL TK4-C125-EM63-E50 RTS**

NOTE: For size limitation guidelines, please refer to our Size Limitation Detail Sheets or contact our Technical Department.

MONTREAL T: 800.363.5930 @: info@altex.ca	TORONTO T: 888.836.6980 @: sales@altex.ca	VANCOUVER T: 888.980.9899 @: servicewest@altex.ca
---	---	---



**TEKNO**<sup>®</sup> TK-1

CRANK CRANK MECHANISM

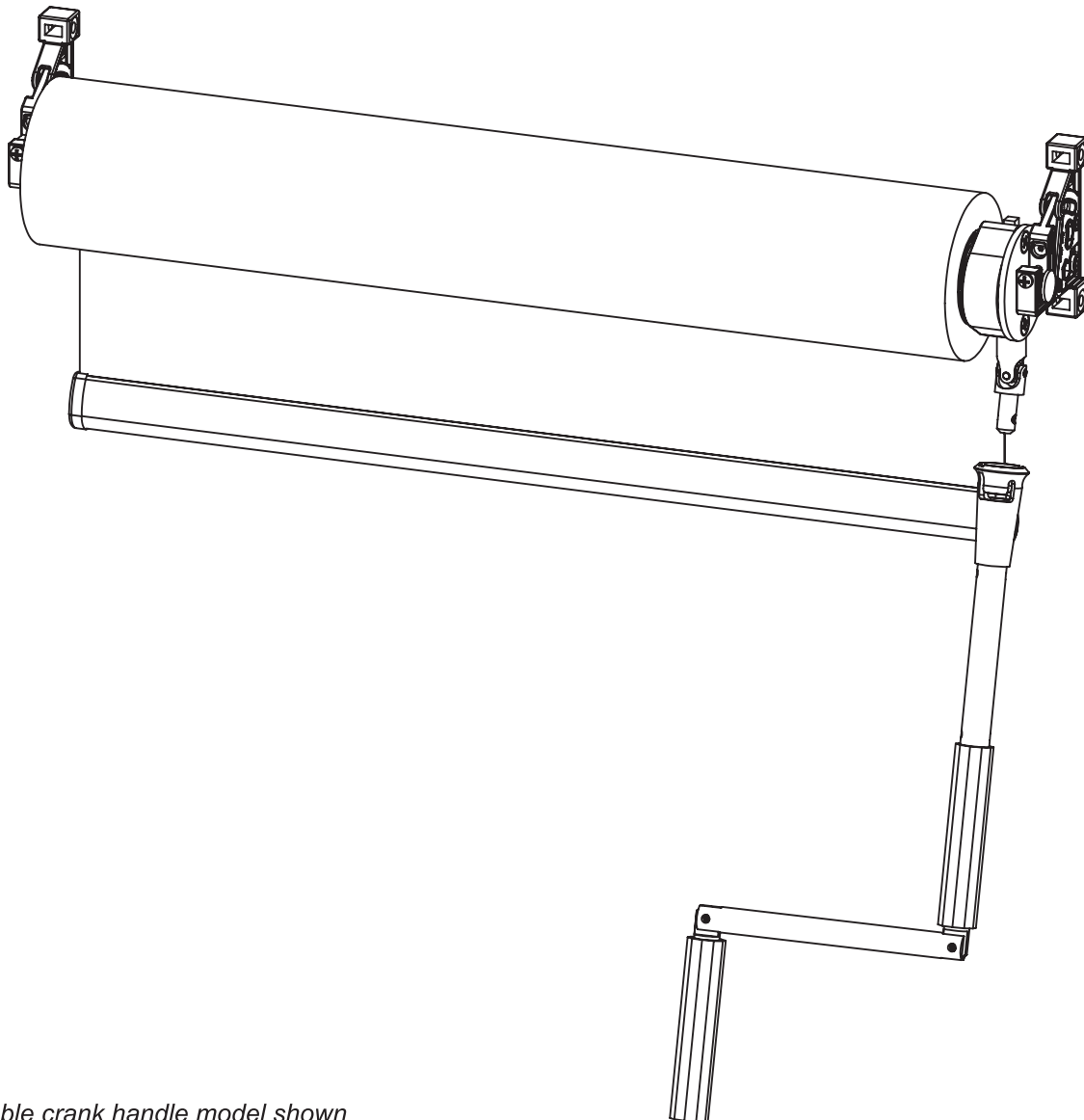
**OPEN ROLL OR-HP**

SHADE HOLDER: N/A

GUIDE CABLES: N/A

CHANNELS: N/A

OPTIONAL: **DETACHABLE HANDLE**

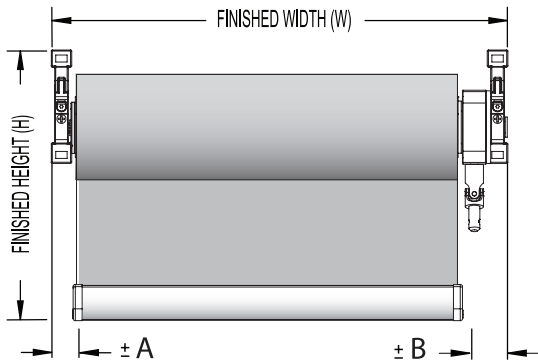


*Detachable crank handle model shown*

**TK1-OR-HP-CK**

**OPEN ROLL WITH "HP" BRACKET**

### ELEVATION

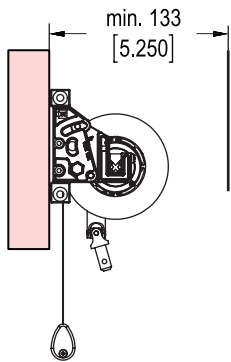
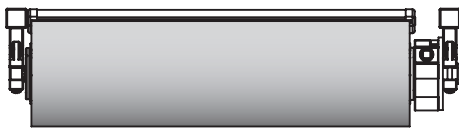


DIMENSIONS mm [inches]. TOLERANCES +/-1.5mm [0.0625"]

DIMENSION	FABRIC EDGE CLEARANCE [ ±mm / ±in ] BY TUBE TYPE				
	32	38	46	53	63
A	n/a	n/a	n/a	22	0.875
B	n/a	n/a	n/a	44	1.750

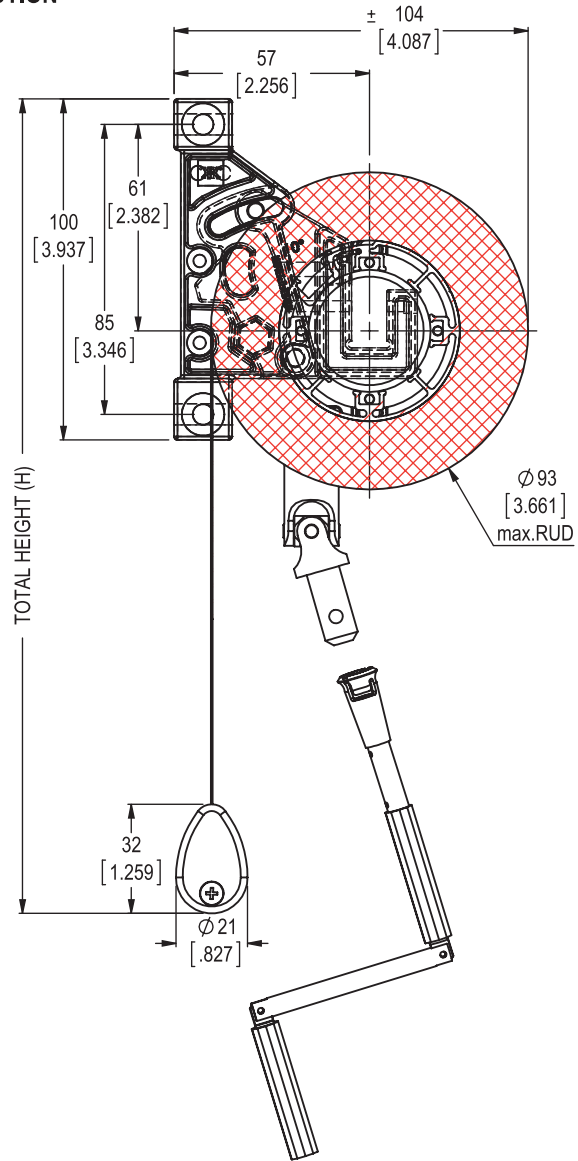
### MOUNTING

TOP VIEW



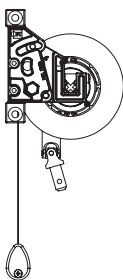
MINIMUM REQUIRED CLEARANCE

### SECTION

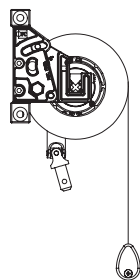


MODEL **TK1-OR-HP-CK53**

### ROLL STYLE



REGULAR ROLL



REVERSE ROLL

NOTE: For size limitation guidelines, please refer to our Size Limitation Detail Sheets or contact our Technical Department.

MONTREAL T: 800.363.5930 @: info@altex.ca	TORONTO T: 888.836.6980 @: sales@altex.ca	VANCOUVER T: 888.980.9899 @: servicewest@altex.ca
---	---	---

**TEKNO<sup>®</sup> TK-1**

**CRANK**      **CRANK MECHANISM**

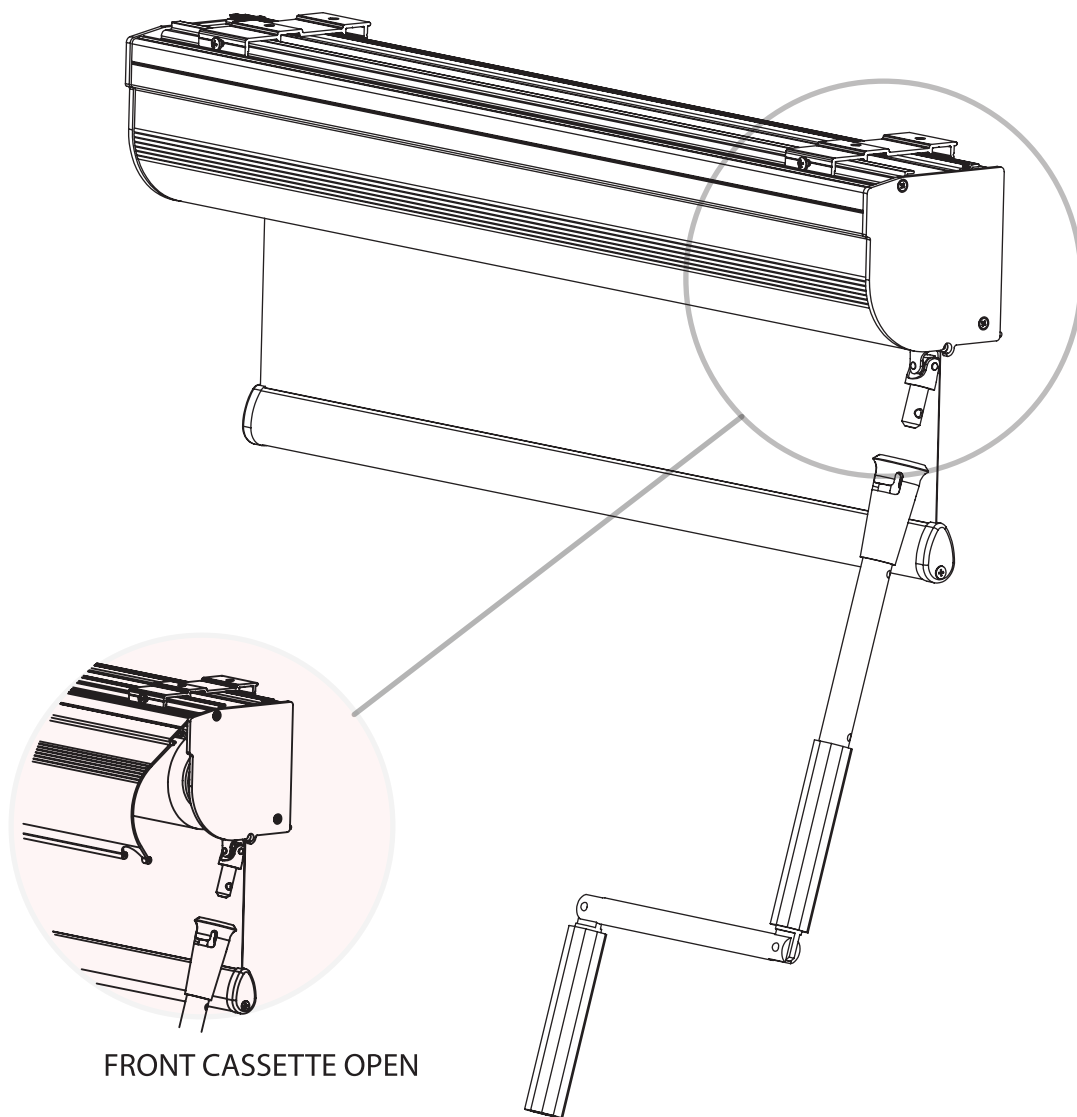
**CASSETTE C-95**

**SHADE HOLDER: N/A**

**GUIDE CABLES: N/A**

**CHANNELS: N/A**

**OPTIONAL:      DETACHABLE HANDLE**

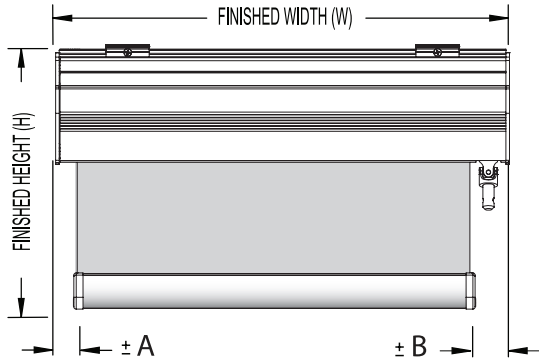


*Detachable crank handle model shown*

**TK1-C95-CK**

**WITH CASSETTE C-95**

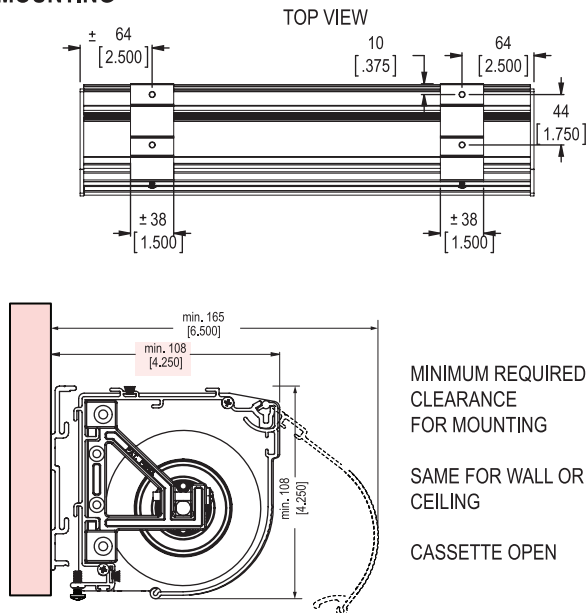
**ELEVATION**



DIMENSIONS mm [inches]. TOLERANCES +/-1.5mm [0.0625"]

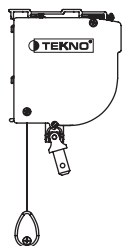
DIMENSION	FABRIC EDGE CLEARANCE [ ±mm / ±in ] BY TUBE TYPE									
	32	38	46	53	63	73	83	93	103	113
A	n/a	n/a	n/a	n/a	19	0.750	n/a	n/a	n/a	n/a
B	n/a	n/a	n/a	n/a	35	1.375	n/a	n/a	n/a	n/a

**MOUNTING**



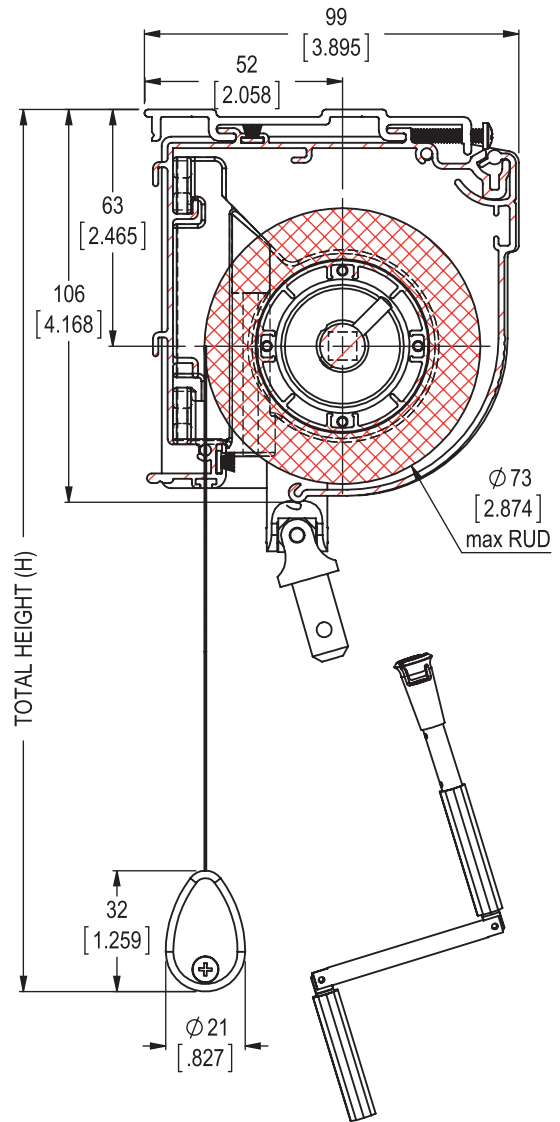
Wall mount shown

**ROLL STYLE**



REGULAR ROLL

**SECTION**



**MODEL** | **TK1-C95-CK46**

*NOTE: For size limitation guidelines, please refer to our Size Limitation Detail Sheets or contact our Technical Department.*

<b>MONTREAL</b> T: 800.363.5930 @: info@altex.ca	<b>TORONTO</b> T: 888.836.6980 @: sales@altex.ca	<b>VANCOUVER</b> T: 888.980.9899 @: servicewest@altex.ca
--	--	--

**TEKNO<sup>®</sup> TK-1**

CRANK CRANK MECHANISM

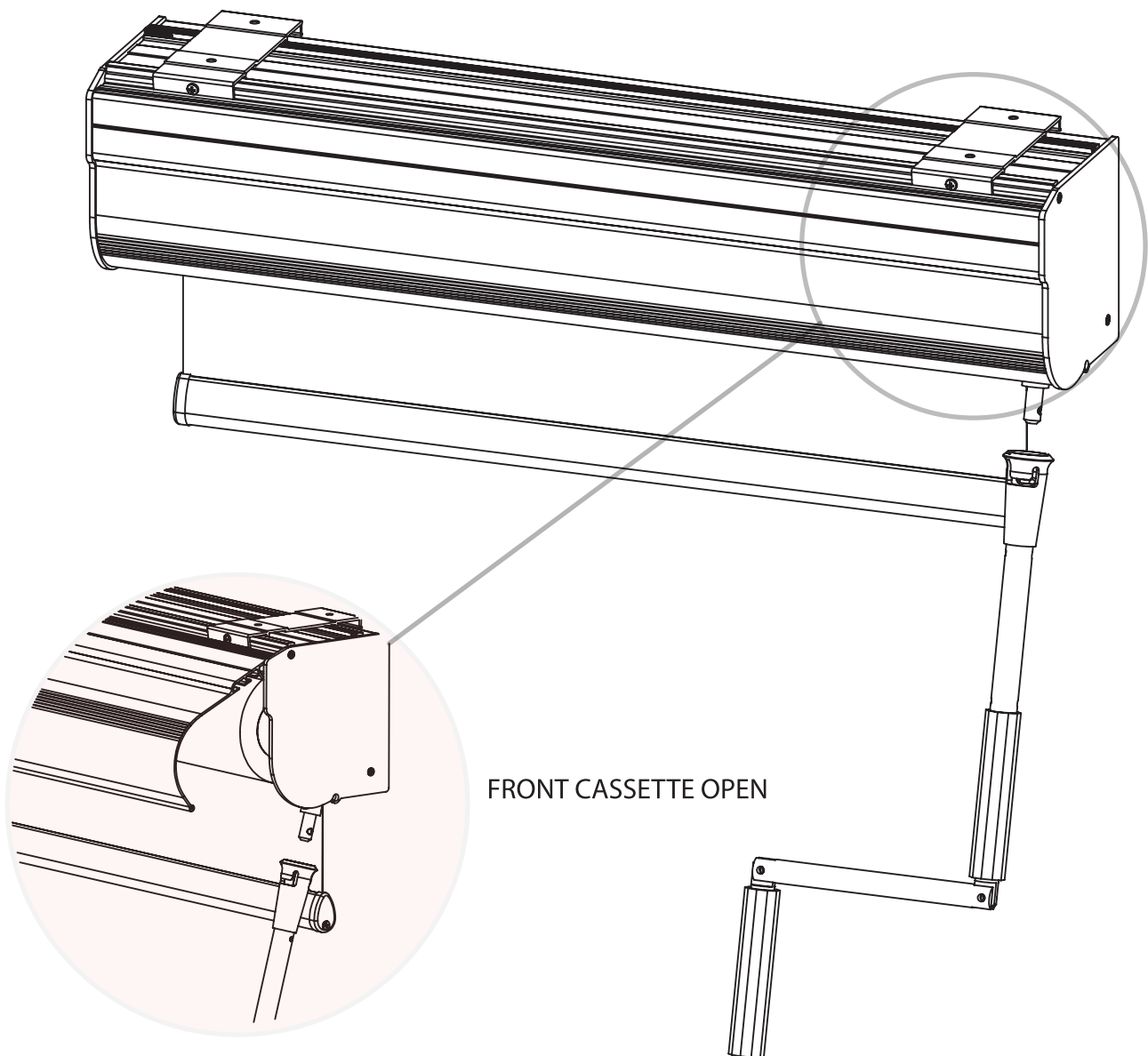
**CASSETTE C-125**

SHADE HOLDER: N/A

GUIDE CABLES: N/A

CHANNELS: N/A

OPTIONAL: **DETACHABLE HANDLE**

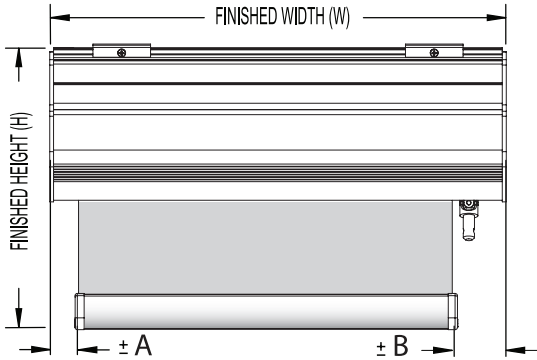


FRONT CASSETTE OPEN

**TK1-C125-CK**

**WITH CASSETTE C-125**

**ELEVATION**

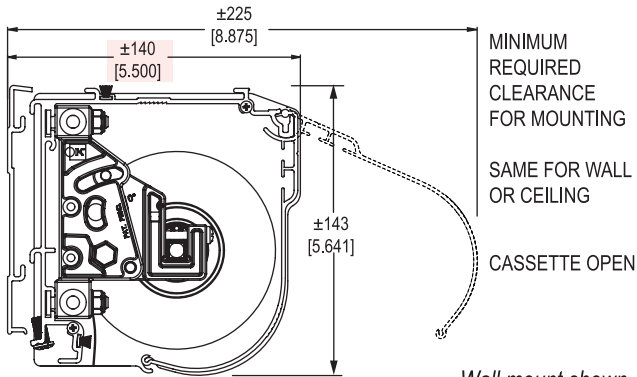
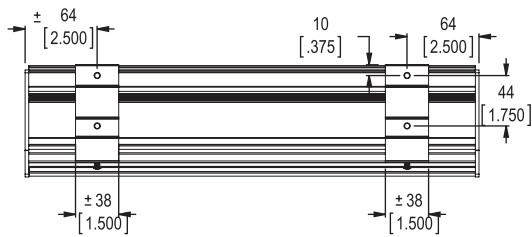


DIMENSIONS mm [inches]. TOLERANCES +/-1.5mm [0.0625"]

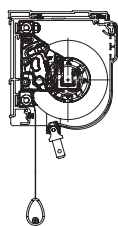
DIMENSION	FABRIC EDGE CLEARANCE [ ±mm / ±in ] BY TUBE TYPE										
	32	38	46	53	63	25	1.000	n/a	n/a	n/a	
A	n/a	n/a	n/a	n/a	n/a	n/a	n/a	25	1.000	n/a	n/a
B	n/a	n/a	n/a	n/a	n/a	n/a	n/a	48	1.875	n/a	n/a

**MOUNTING**

TOP VIEW

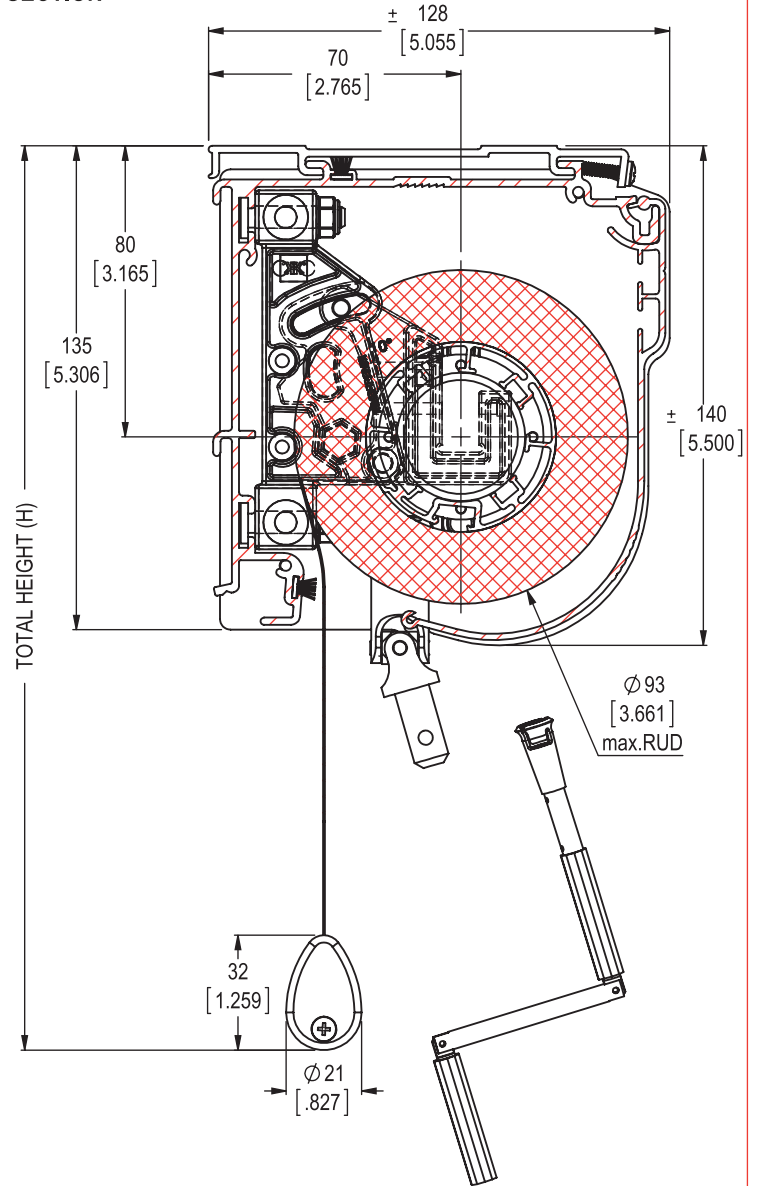


**ROLL STYLE**



REGULAR ROLL

**SECTION**



**MODEL**      **TK1-C125-CK53**

*NOTE: For size limitation guidelines, please refer to our Size Limitation Detail Sheets or contact our Technical Department.*

<b>MONTREAL</b> T: 800.363.5930 @: info@altex.ca	<b>TORONTO</b> T: 888.836.6980 @: sales@altex.ca	<b>VANCOUVER</b> T: 888.980.9899 @: servicewest@altex.ca
--	--	--

**TEKNO<sup>®</sup> TK-2**

**CRANK**      **CRANK MECHANISM**

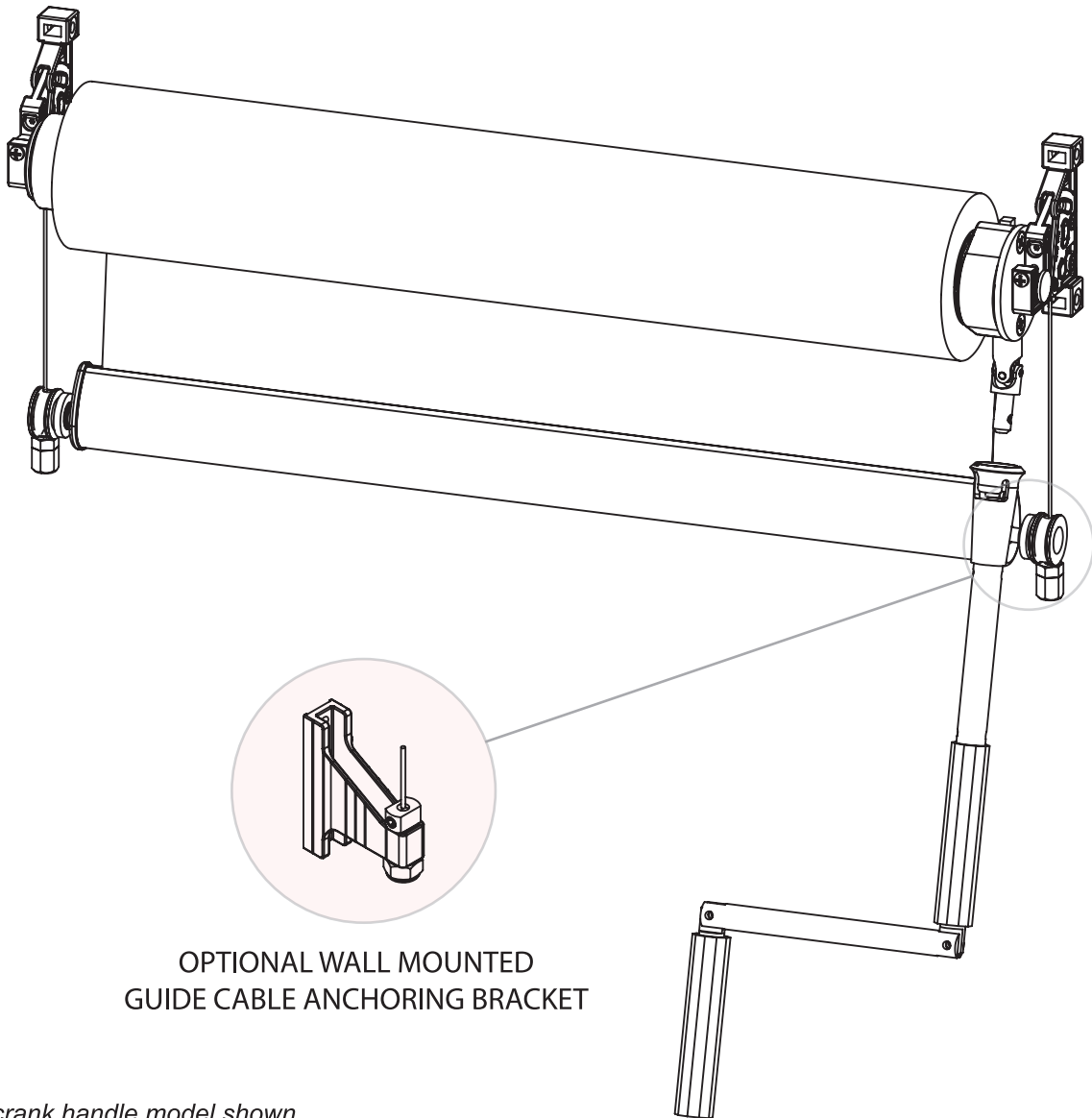
**OPEN ROLL OR-HP**

**SHADE HOLDER: N/A**

**GUIDE CABLES: WITH GUIDE CABLES**

**CHANNELS: N/A**

**OPTIONAL:      DETACHABLE HANDLE**



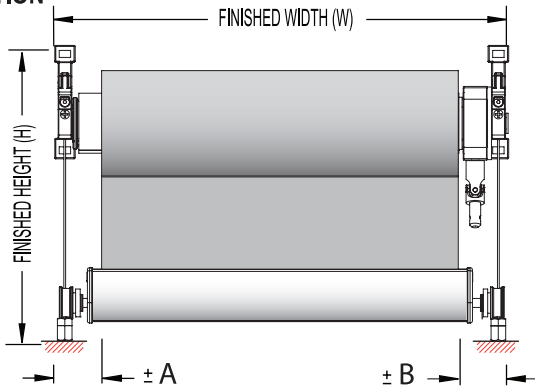
**OPTIONAL WALL MOUNTED  
GUIDE CABLE ANCHORING BRACKET**

*Detachable crank handle model shown*

**TK2-OR-HP-CK**

**OPEN ROLL WITH "HP" BRACKET**

### ELEVATION

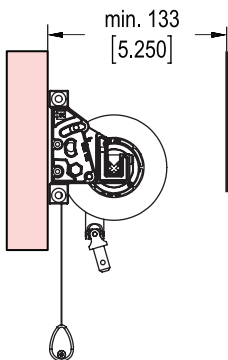
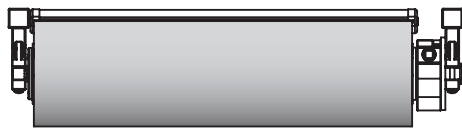


DIMENSIONS mm [inches], TOLERANCES +/-1.5mm [0.0625"]

DIMENSION	FABRIC EDGE CLEARANCE [ ±mm / ±in] BY TUBE TYPE									
	32	38	46	53	63	41	1.625	n/a	n/a	
A	n/a	n/a	n/a	n/a	n/a	n/a	n/a	n/a	n/a	
B	n/a	n/a	n/a	n/a	n/a	n/a	n/a	n/a	n/a	

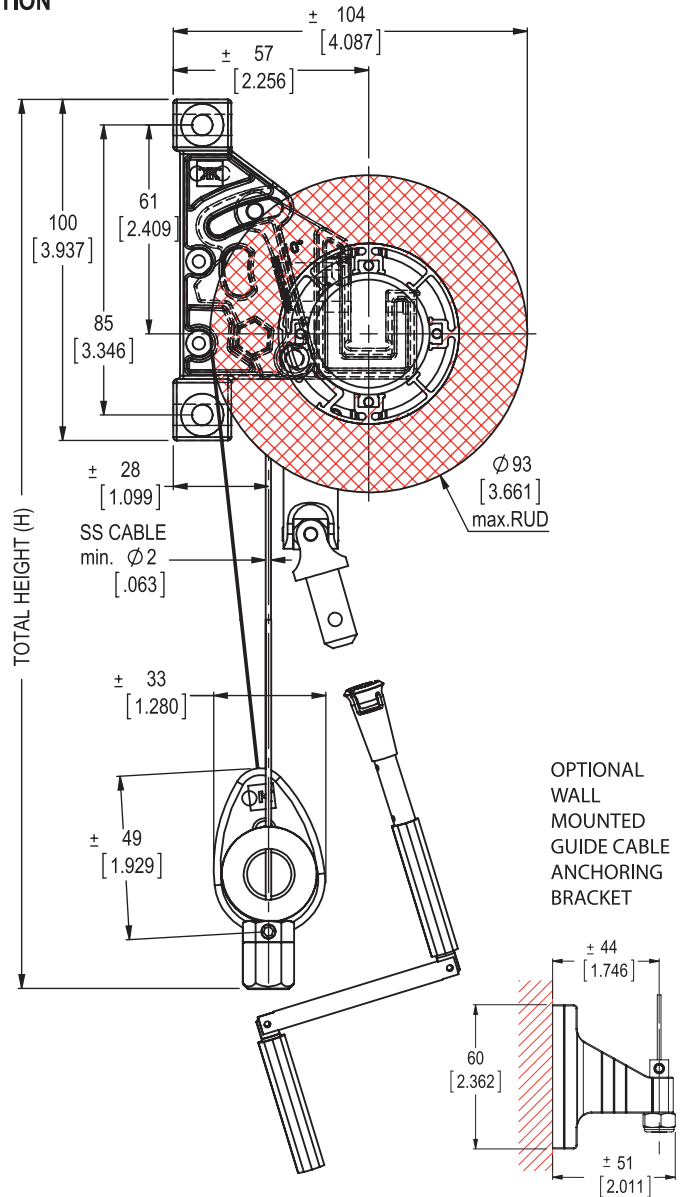
### MOUNTING

TOP VIEW



MINIMUM REQUIRED CLEARANCE

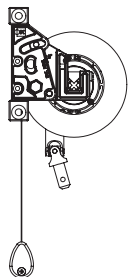
### SECTION



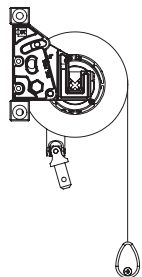
OPTIONAL WALL MOUNTED GUIDE CABLE ANCHORING BRACKET

MODEL **TK1-OR-HP-CK53**

### ROLL STYLE



REGULAR ROLL



REVERSE ROLL

NOTE: For size limitation guidelines, please refer to our Size Limitation Detail Sheets or contact our Technical Department.

MONTREAL T: 800.363.5930 @: info@altex.ca	TORONTO T: 888.836.6980 @: sales@altex.ca	VANCOUVER T: 888.980.9899 @: servicewest@altex.ca
---	---	---



**TEKNO<sup>®</sup> TK-2**

CRANK      CRANK MECHANISM

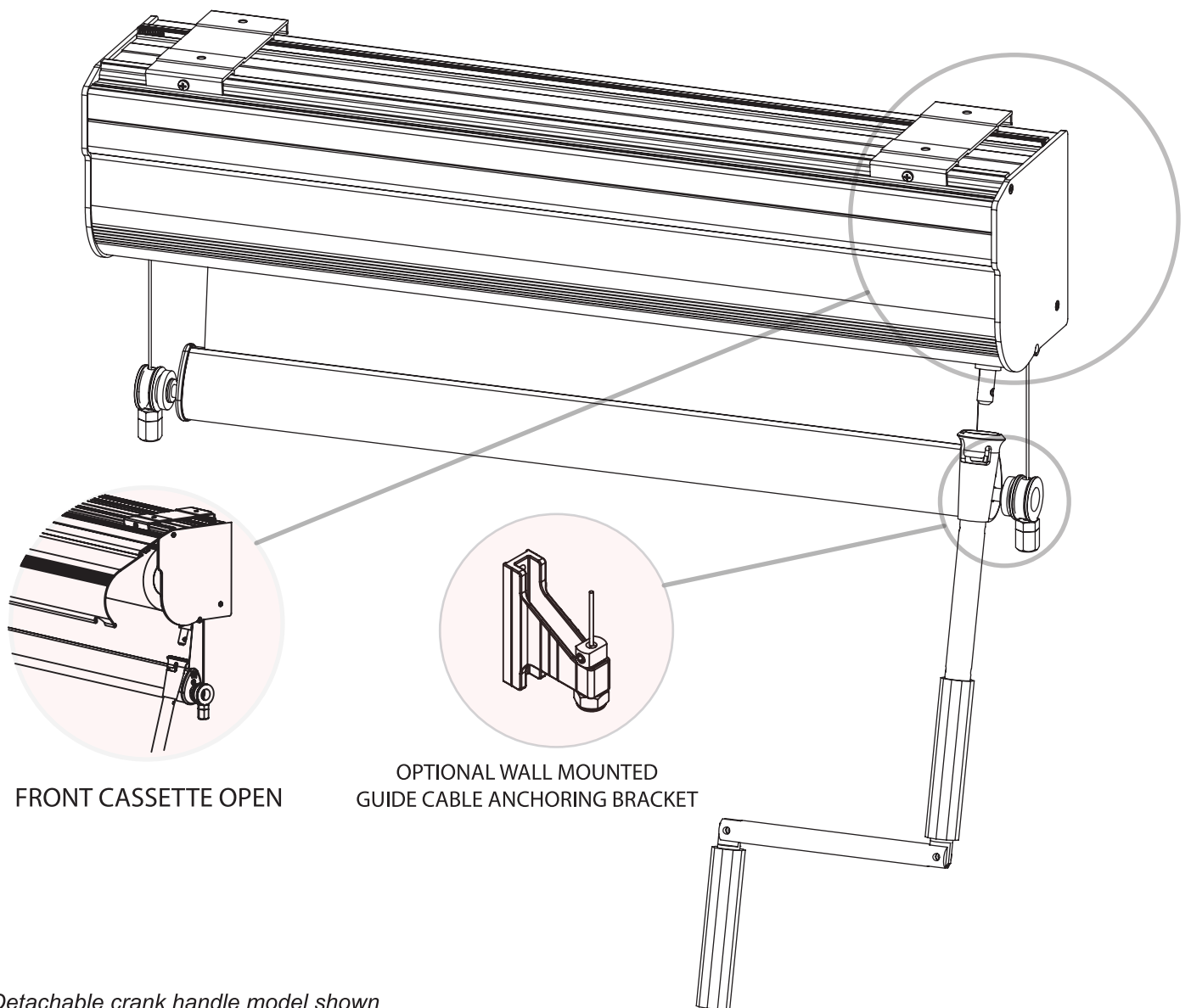
**CASSETTE C-125**

SHADE HOLDER: N/A

GUIDE CABLES: **WITH GUIDE CABLES**

CHANNELS: N/A

OPTIONAL:      **DETACHABLE HANDLE**



FRONT CASSETTE OPEN

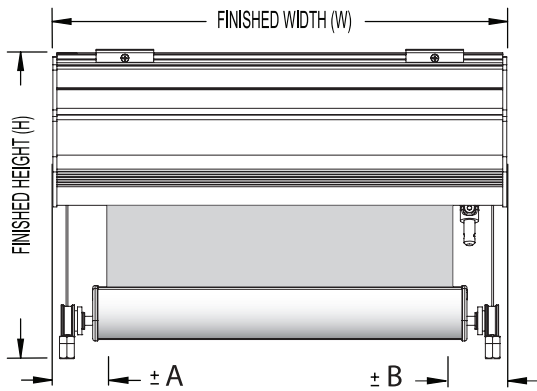
OPTIONAL WALL MOUNTED  
GUIDE CABLE ANCHORING BRACKET

*Detachable crank handle model shown*

**TK1-C125-CK**

**WITH CASSETTE C-125**

**ELEVATION**

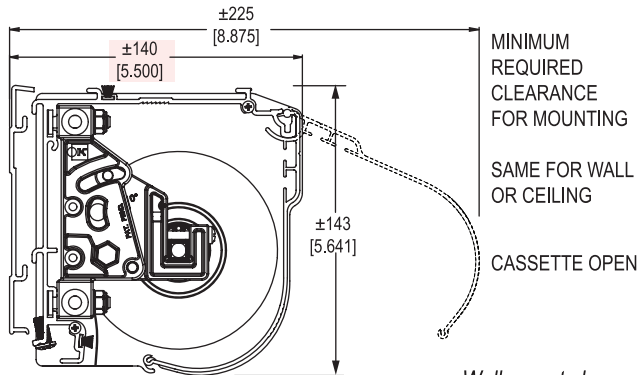
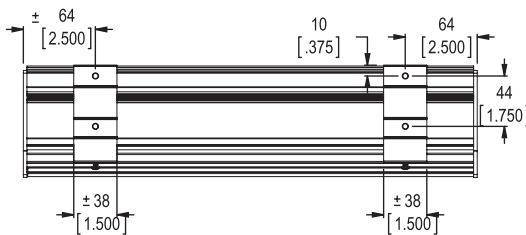


DIMENSIONS mm [inches]. TOLERANCES +/-1.5mm [0.0625"]

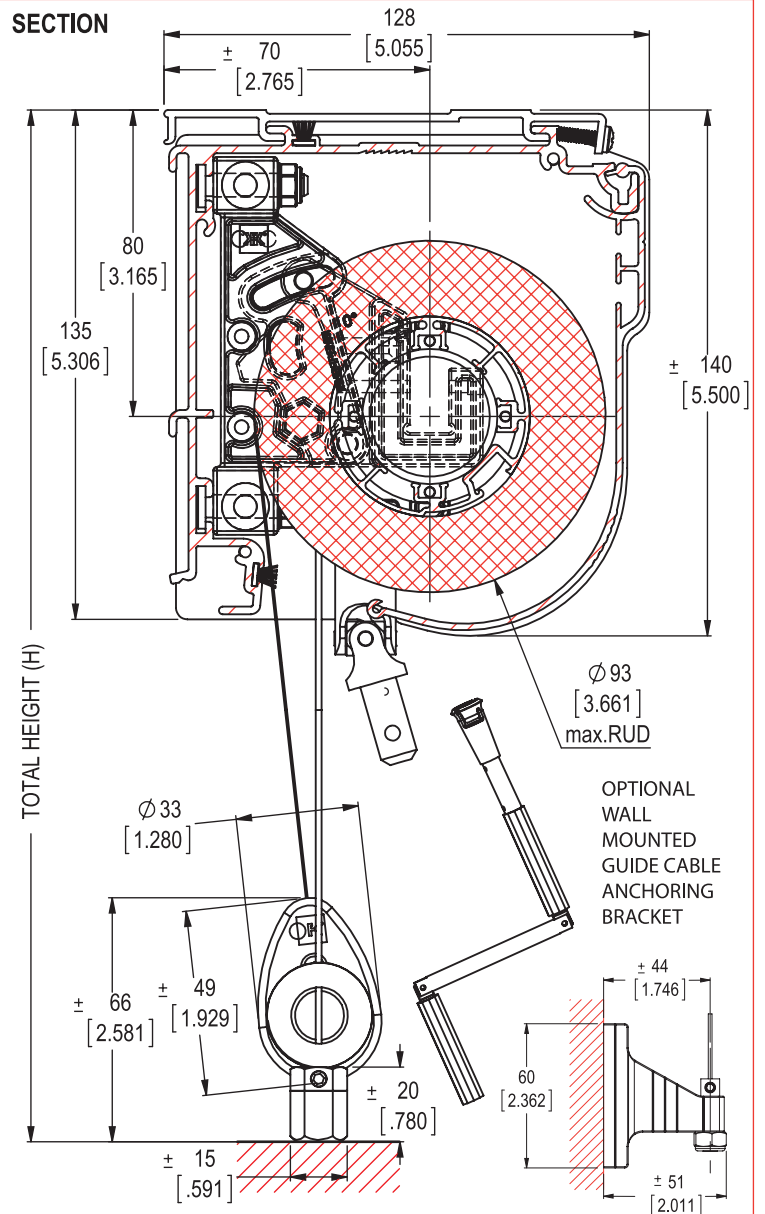
DIMENSION	FABRIC EDGE CLEARANCE [ ±mm / ±in ] BY TUBE TYPE				
	32	38	46	53	63
A	n/a	n/a	n/a	48	1.875
B	n/a	n/a	n/a	48	1.875

**MOUNTING**

TOP VIEW

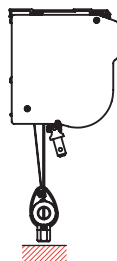


**SECTION**



**MODEL** | **TK2-C125-CK53**

**ROLL STYLE**



REGULAR ROLL

*NOTE: For size limitation guidelines, please refer to our Size Limitation Detail Sheets or contact our Technical Department.*

<b>MONTREAL</b> T: 800.363.5930 @: info@altex.ca	<b>TORONTO</b> T: 888.836.6980 @: sales@altex.ca	<b>VANCOUVER</b> T: 888.980.9899 @: servicewest@altex.ca
--	--	--

**TEKNO**<sup>®</sup> **TK-3**

CRANK | CRANK MECHANISM

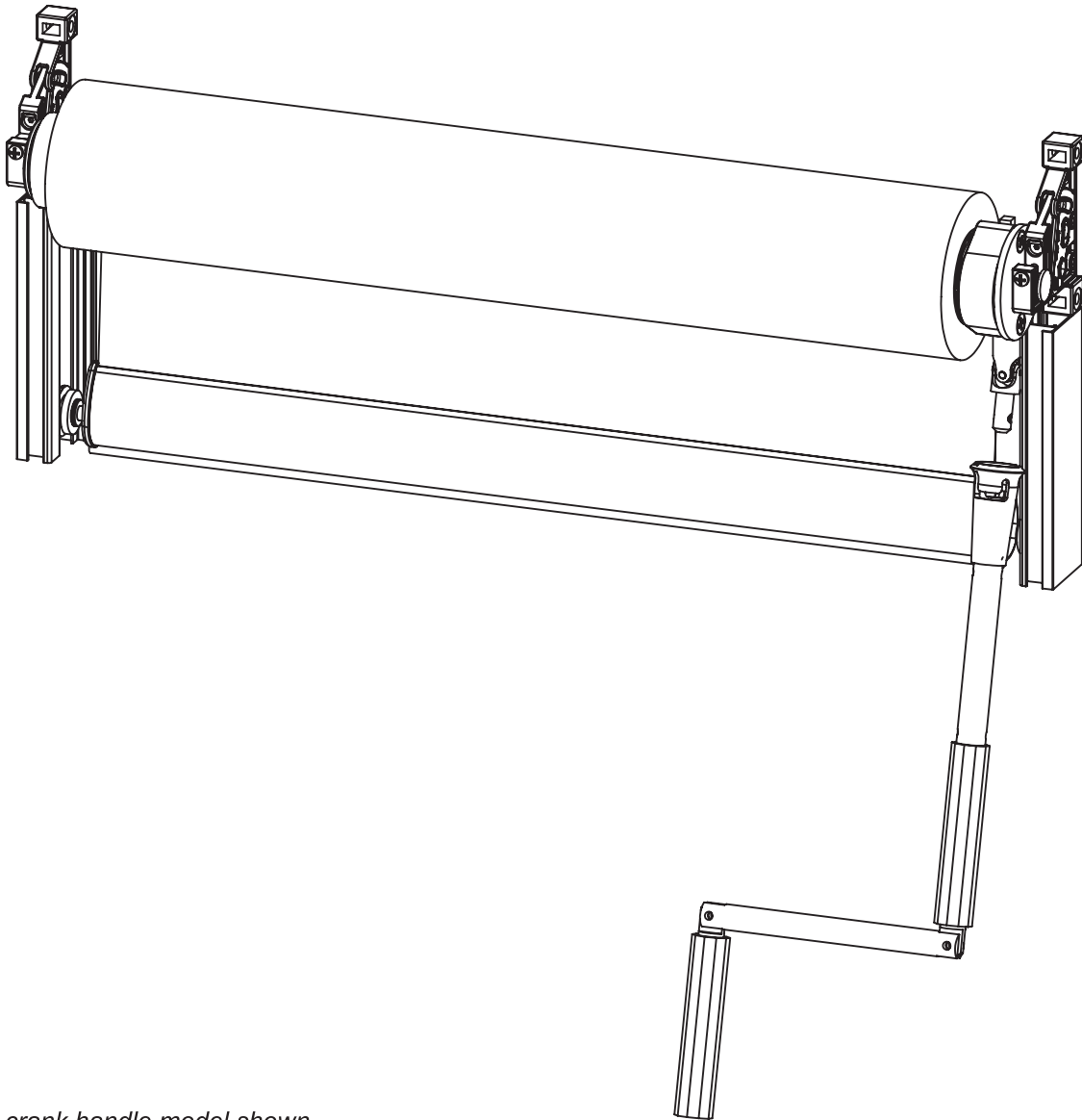
**OPEN ROLL OR-HP**

SHADE HOLDER: N/A

GUIDE CABLES: N/A

CHANNELS: **ST-3**

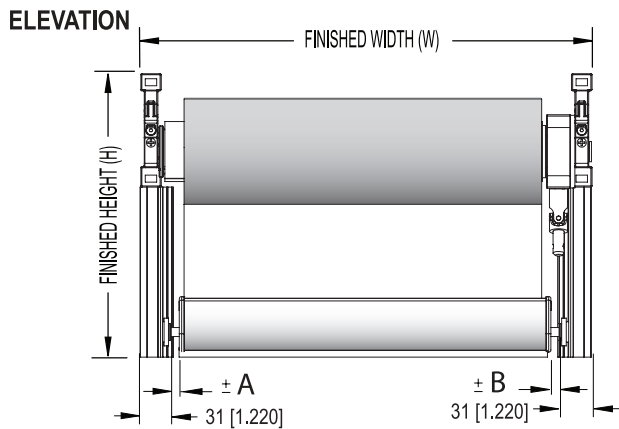
OPTIONAL: **DETACHABLE HANDLE**



*Detachable crank handle model shown*

**TK3-OR-HP-CK**

**OPEN ROLL WITH "HP" BRACKET**

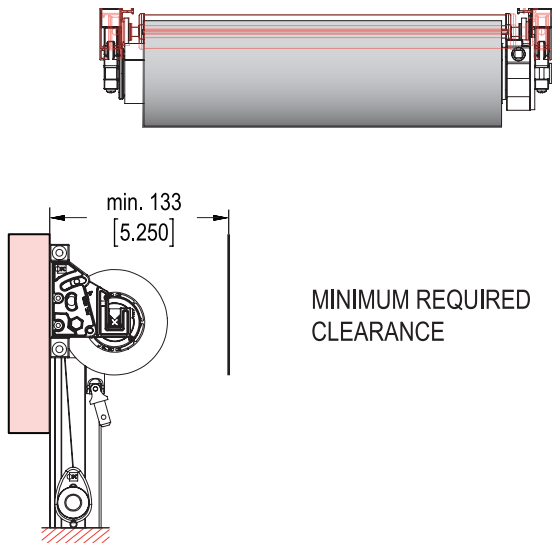


DIMENSIONS mm [inches], TOLERANCES +/-1.5mm [0.0625"]

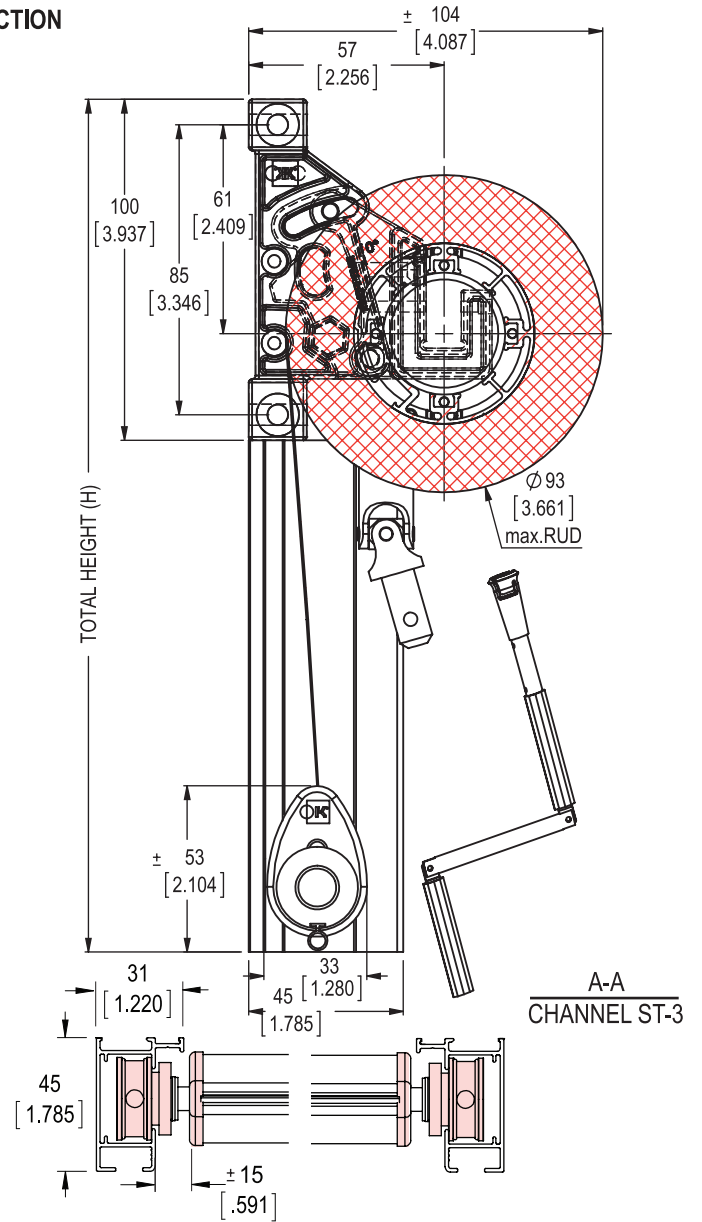
DIMENSION	FABRIC EDGE CLEARANCE [ ±mm / ±in] BY TUBE TYPE									
	32	38	46	53	63					
A	n/a	n/a	n/a	n/a	n/a	10	0.375	n/a	n/a	n/a
B	n/a	n/a	n/a	n/a	n/a	10	0.375	n/a	n/a	n/a

**MOUNTING**

TOP VIEW

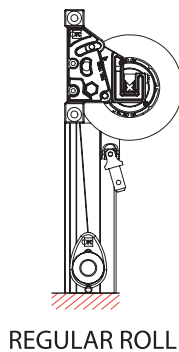


**SECTION**



**MODEL TK3-OR-HP-CK53**

**ROLL STYLE**



*NOTE: For size limitation guidelines, please refer to our Size Limitation Detail Sheets or contact our Technical Department.*

MONTREAL T: 800.363.5930 @: info@altex.ca	TORONTO T: 888.836.6980 @: sales@altex.ca	VANCOUVER T: 888.980.9899 @: servicewest@altex.ca
---	---	---

**TEKNO<sup>®</sup> TK-3**

**CRANK**      **CRANK MECHANISM**

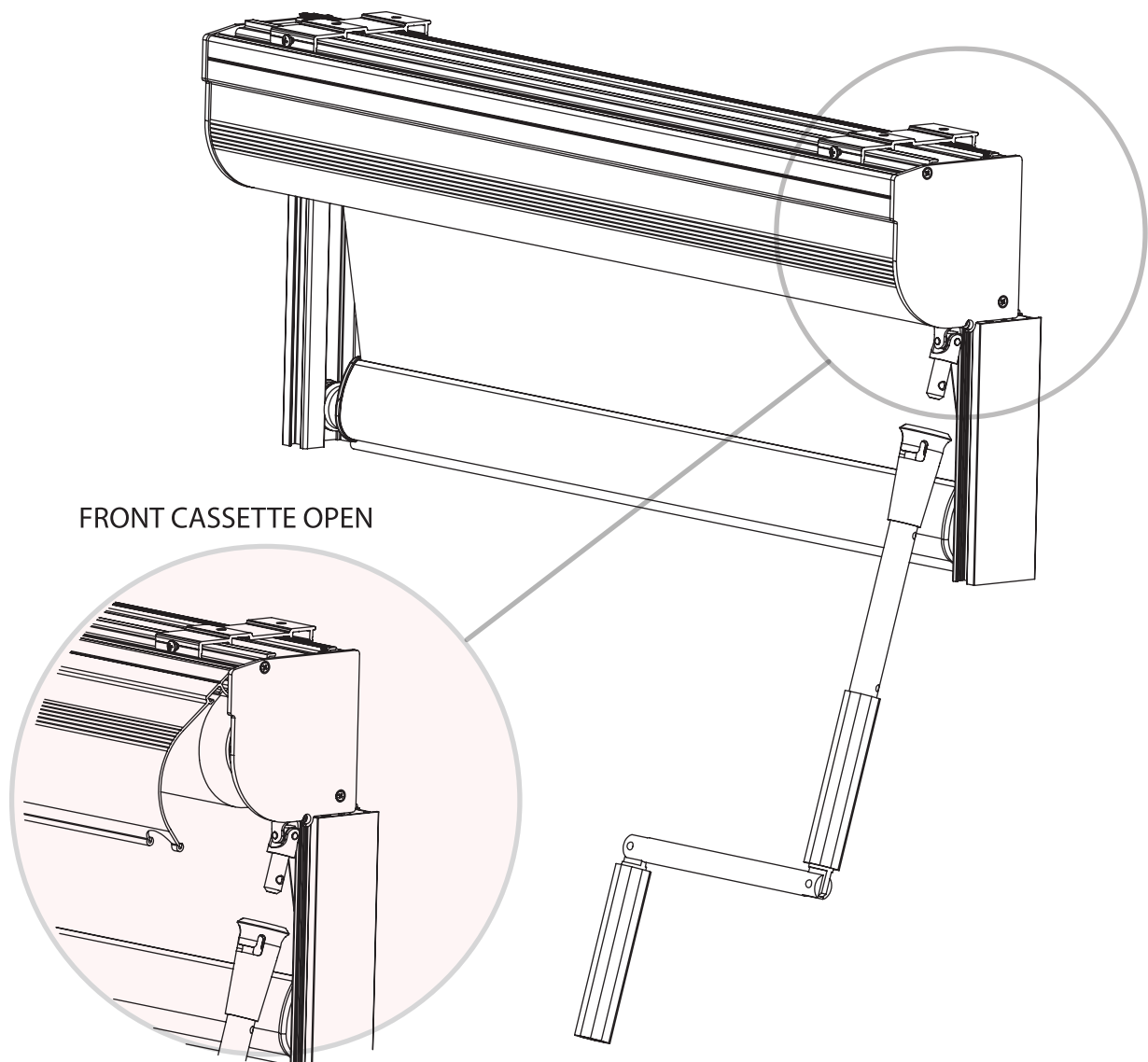
**CASSETTE C-95**

**SHADE HOLDER: N/A**

**GUIDE CABLES: N/A**

**CHANNELS: ST-3**

**OPTIONAL:      DETACHABLE HANDLE**

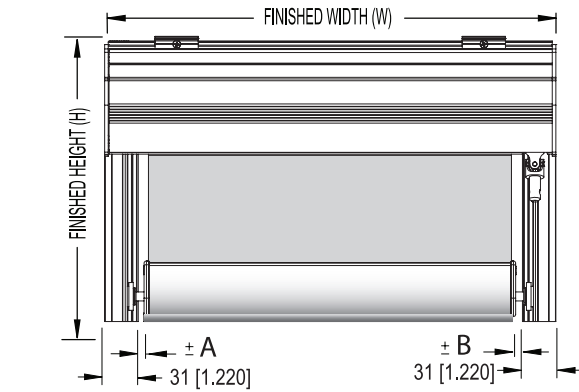


*Detachable crank handle model shown*

**TK3-C95-CK46**

**WITH CASSETTE C-95**

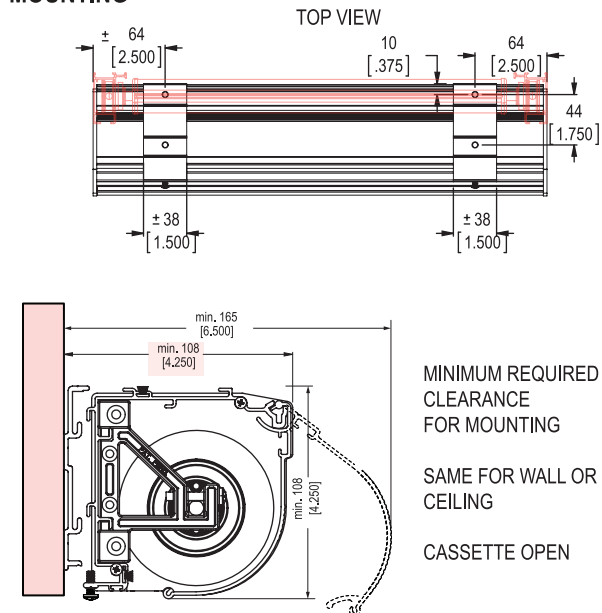
### ELEVATION



DIMENSIONS mm [inches]. TOLERANCES +/-1.5mm [0.0625"]

DIMENSION	FABRIC EDGE CLEARANCE [ ±mm / ±in ] BY TUBE TYPE									
	32	38	46	53	63	73	83	93	103	113
A	n/a	n/a	n/a	n/a	10	0.375	n/a	n/a	n/a	n/a
B	n/a	n/a	n/a	n/a	10	0.375	n/a	n/a	n/a	n/a

### MOUNTING



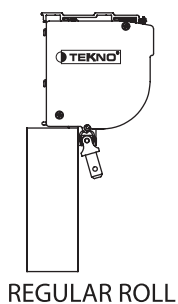
MINIMUM REQUIRED CLEARANCE FOR MOUNTING

SAME FOR WALL OR CEILING

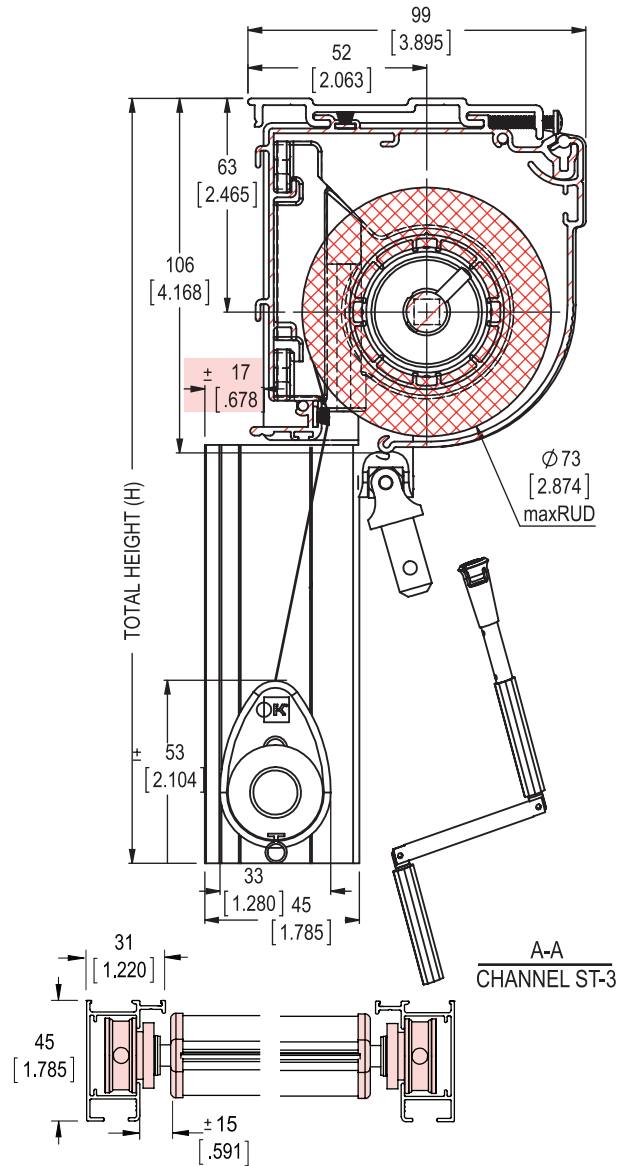
CASSETTE OPEN

Wall mount shown

### ROLL STYLE



### SECTION



MODEL **TK3-C95-CK46**

NOTE: For size limitation guidelines, please refer to our Size Limitation Detail Sheets or contact our Technical Department.

MONTREAL

T: 800.363.5930

@: info@altex.ca

TORONTO

T: 888.836.6980

@: sales@altex.ca

VANCOUVER

T: 888.980.9899

@: servicewest@altex.ca

**TEKNO<sup>®</sup> TK-3**

CRANK CRANK MECHANISM

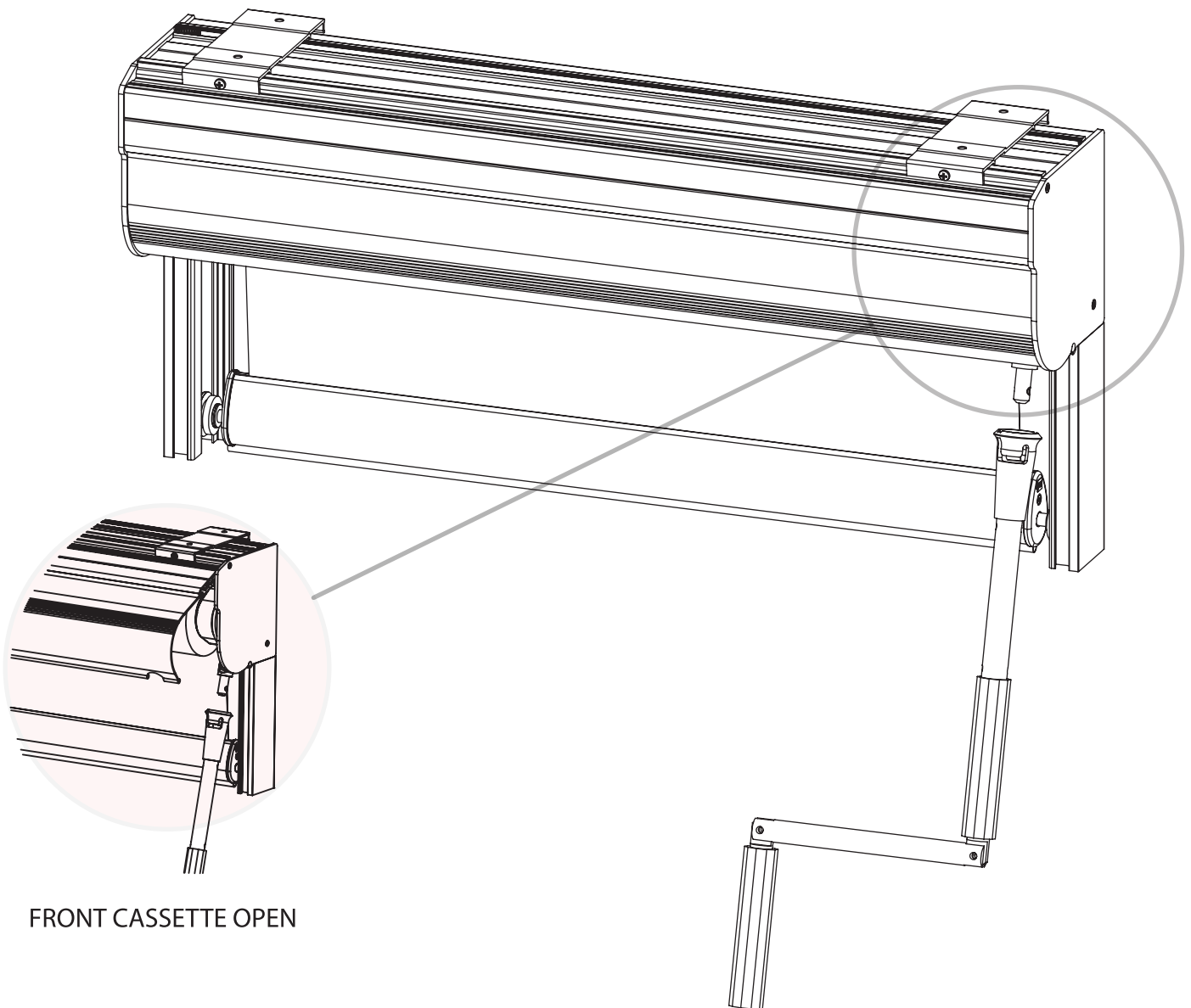
**CASSETTE C-125**

SHADE HOLDER: N/A

GUIDE CABLES: N/A

CHANNELS: ST-3

OPTIONAL: **DETACHABLE HANDLE**

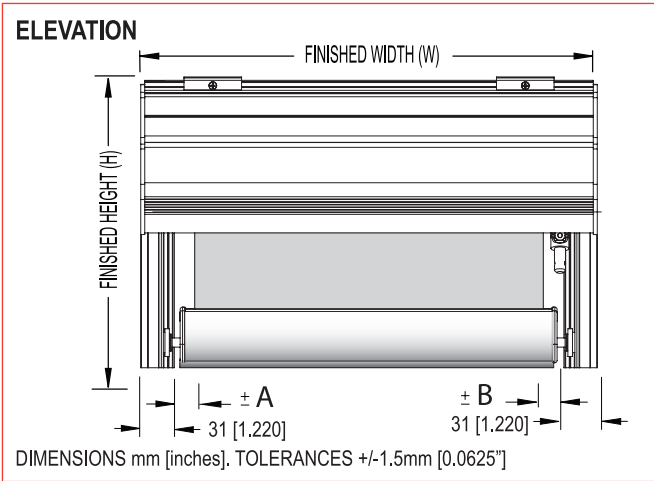


FRONT CASSETTE OPEN

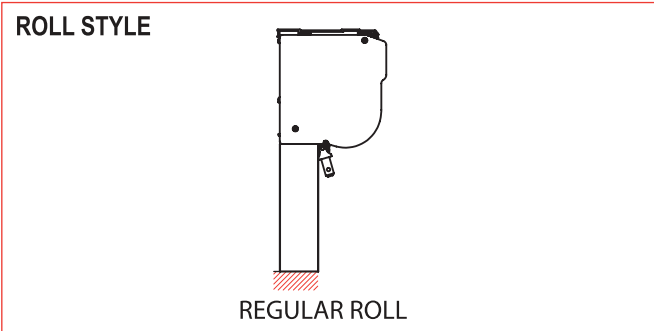
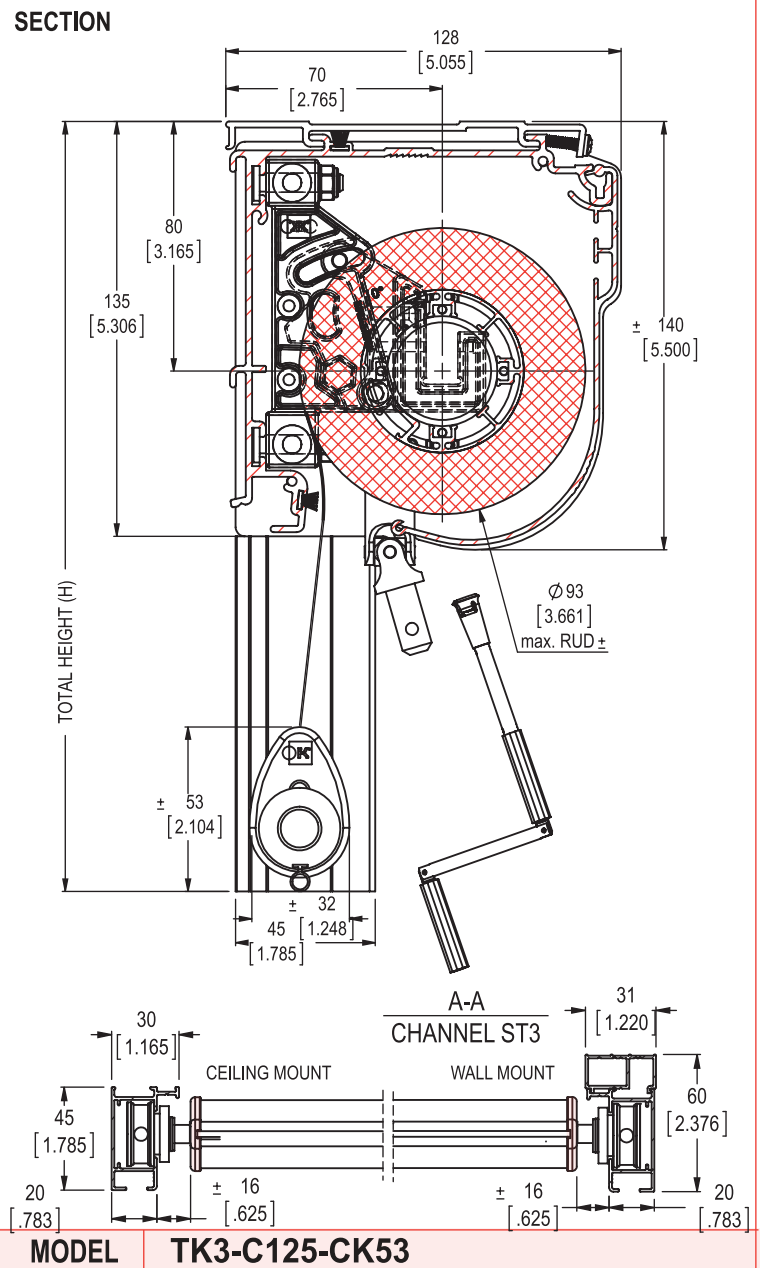
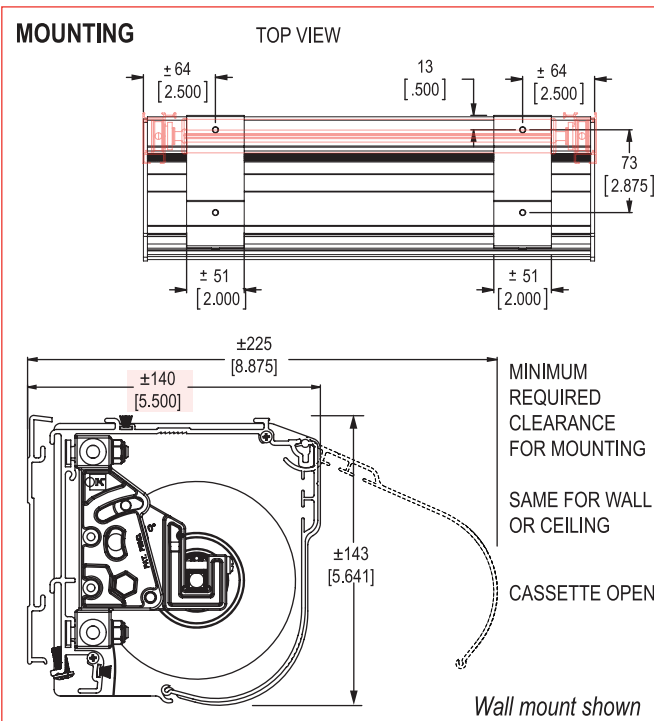
*Detachable crank handle model shown*

**TK3-C125-CK**

**WITH CASSETTE C-125**



DIMENSION	FABRIC EDGE CLEARANCE [ ±mm / ±in] BY TUBE TYPE									
	32		38		46		53		63	
A	n/a	n/a	n/a	n/a	n/a	n/a	10	0.375	n/a	n/a
B	n/a	n/a	n/a	n/a	n/a	n/a	10	0.375	n/a	n/a



NOTE: For size limitation guidelines, please refer to our Size Limitation Detail Sheets or contact our Technical Department.

MONTREAL T: 800.363.5930 @: info@altex.ca	TORONTO T: 888.836.6980 @: sales@altex.ca	VANCOUVER T: 888.980.9899 @: servicewest@altex.ca
---	---	---



**TEKNO<sup>®</sup> TK-4**

**CRANK**      **CRANK MECHANISM**

**CASSETTE C-95**

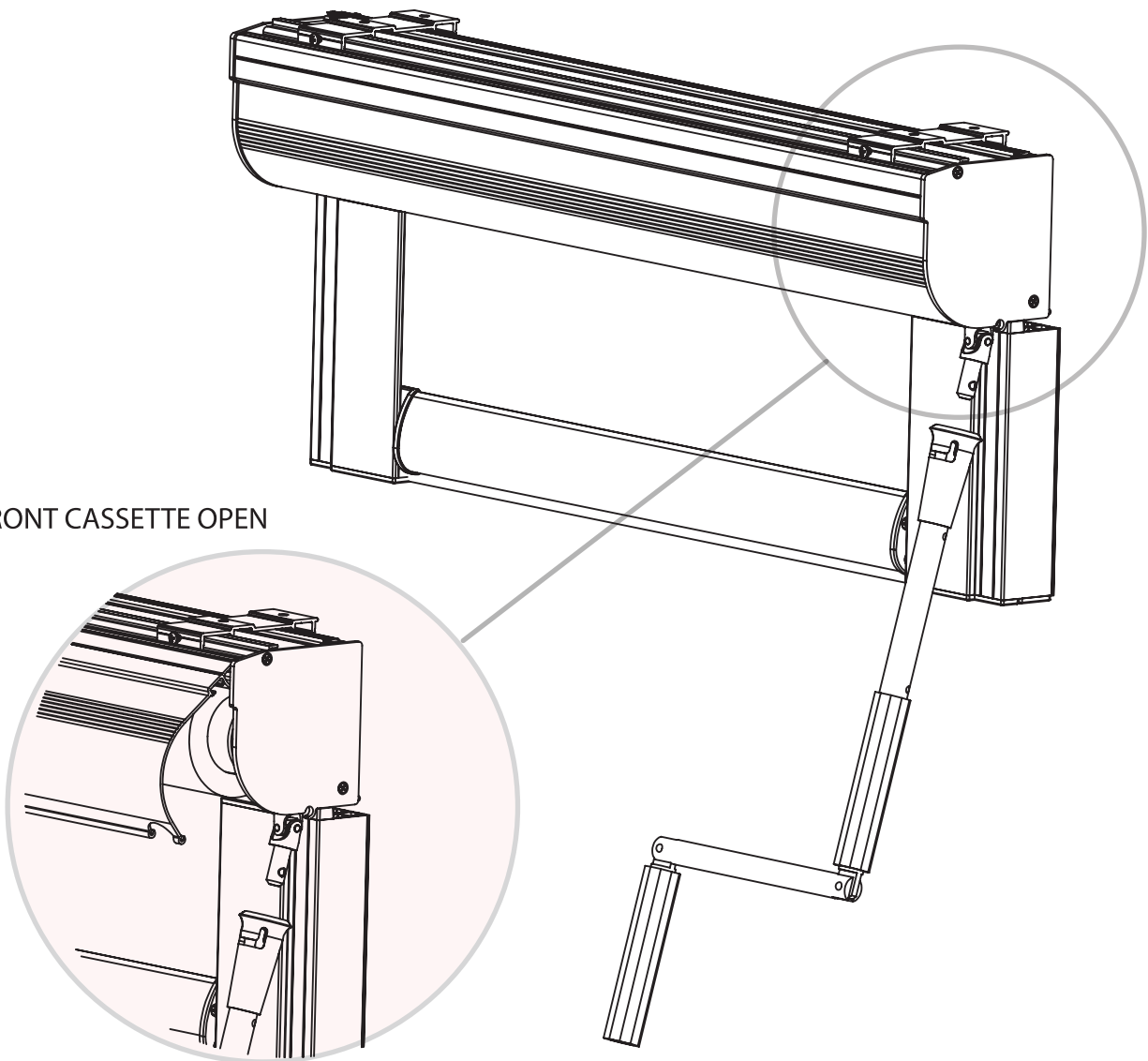
**SHADE HOLDER: N/A**

**GUIDE CABLES: N/A**

**CHANNELS: T-460**

**OPTIONAL:      DETACHABLE HANDLE**

FRONT CASSETTE OPEN

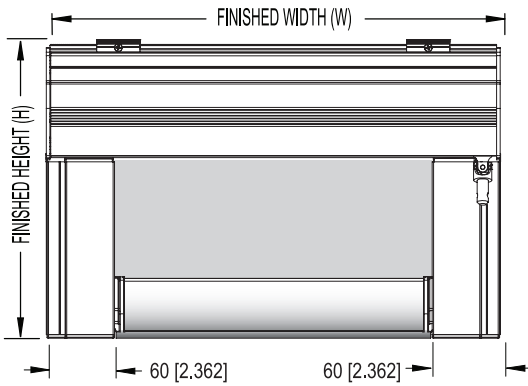


*Detachable crank handle model shown*

**TK4-C95-CK**

**WITH CASSETTE C-95**

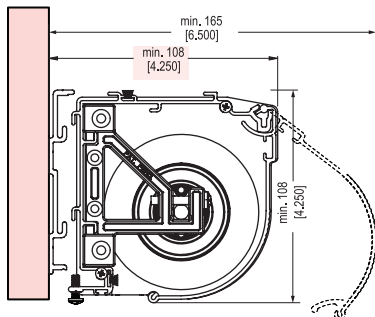
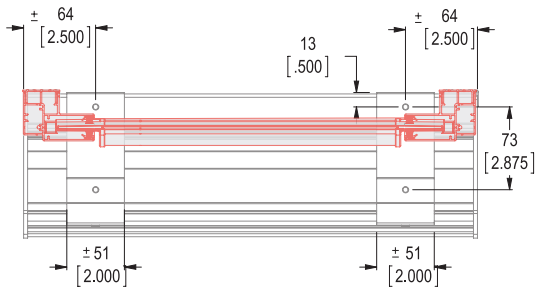
**ELEVATION**



DIMENSIONS mm [inches]. TOLERANCES +/-1.5mm [0.0625"]

**MOUNTING**

**TOP VIEW**



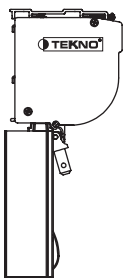
MINIMUM REQUIRED CLEARANCE FOR MOUNTING

SAME FOR WALL OR CEILING

CASSETTE OPEN

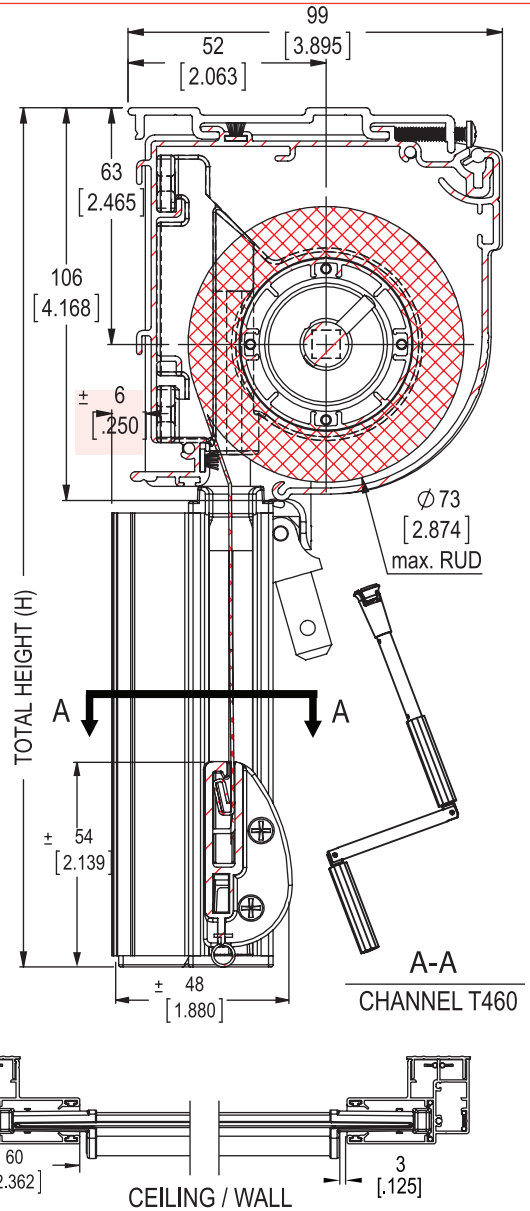
*Wall mount shown*

**ROLL STYLE**



REGULAR ROLL

**SECTION**



**MODEL** | **TK1-C95-CK46**

*NOTE: For size limitation guidelines, please refer to our Size Limitation Detail Sheets or contact our Technical Department.*

**MONTREAL**

T: 800.363.5930

@: info@altex.ca

**TORONTO**

T: 888.836.6980

@: sales@altex.ca

**VANCOUVER**

T: 888.980.9899

@: servicewest@altex.ca

**TEKNO<sup>®</sup> TK-4**

**CRANK**      **CRANK MECHANISM**

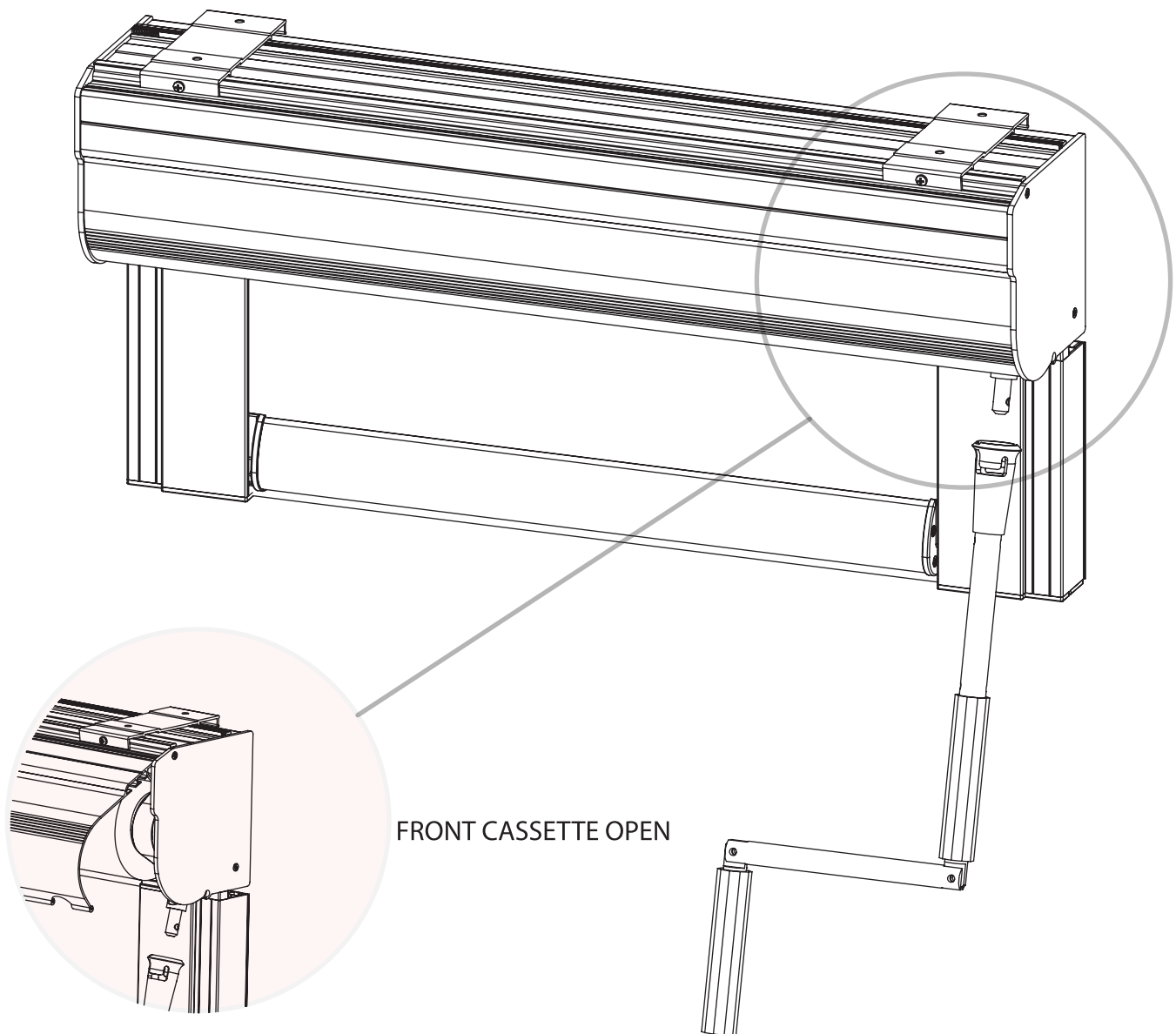
**CASSETTE C-125**

**SHADE HOLDER: N/A**

**GUIDE CABLES: N/A**

**CHANNELS: T-480**

**OPTIONAL:      DETACHABLE HANDLE**



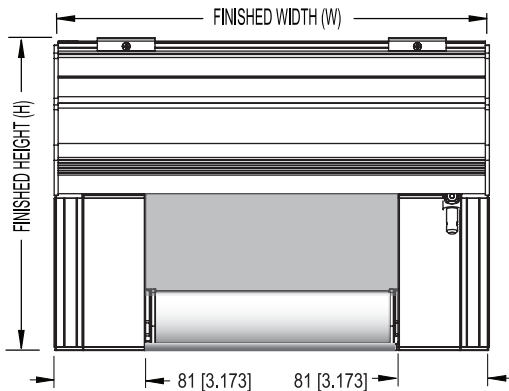
FRONT CASSETTE OPEN

*Detachable crank handle model shown*

**TK4-C125-CK**

**WITH CASSETTE C-125**

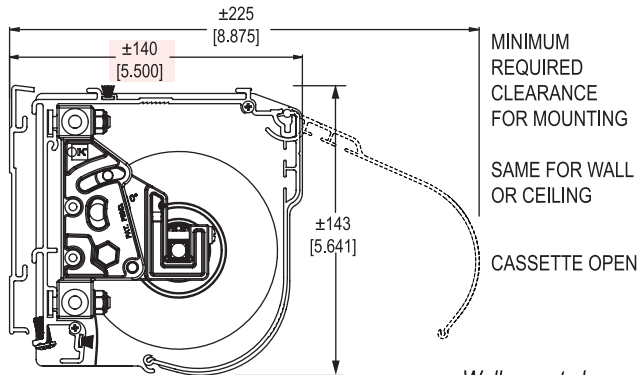
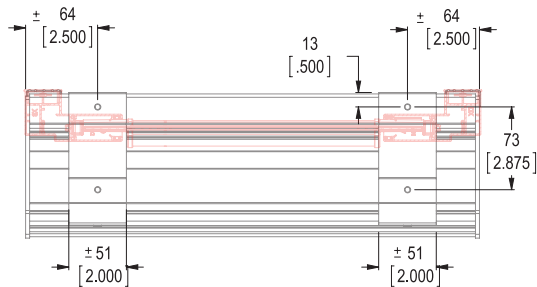
### ELEVATION



DIMENSIONS mm [inches]. TOLERANCES +/-1.5mm [0.0625"]

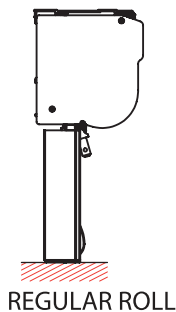
### MOUNTING

#### TOP VIEW

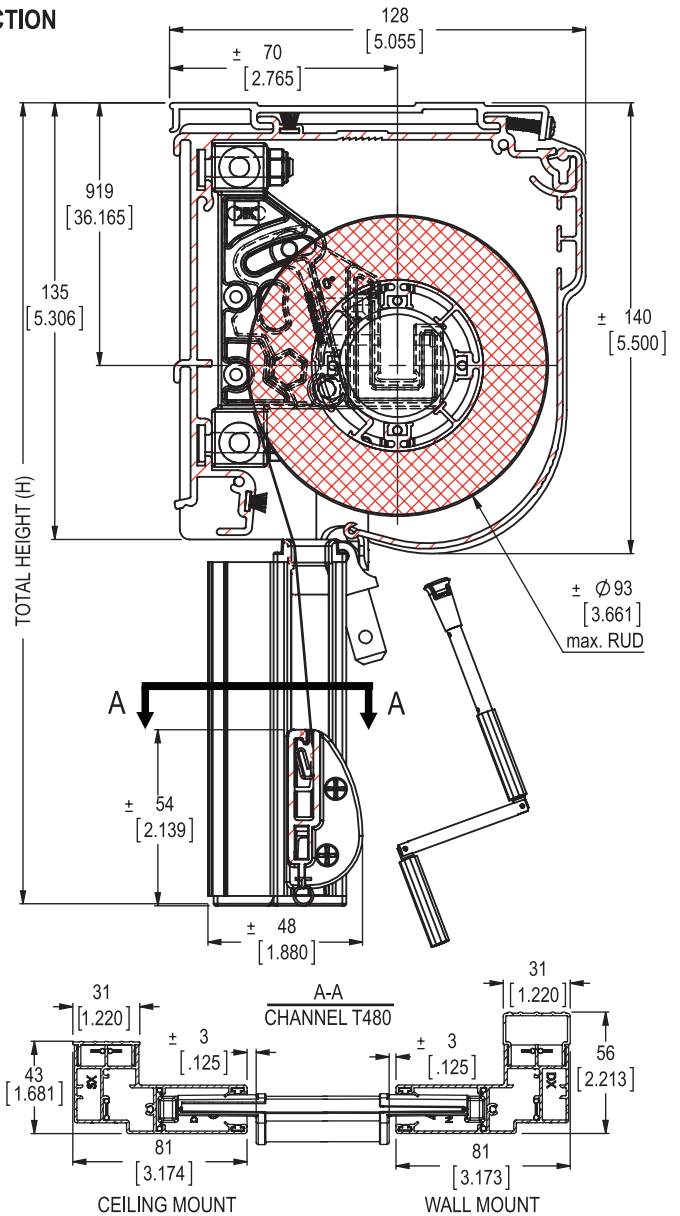


Wall mount shown

### ROLL STYLE



### SECTION



MODEL **TK4-C125-CK53**

NOTE: For size limitation guidelines, please refer to our Size Limitation Detail Sheets or contact our Technical Department.

MONTREAL T: 800.363.5930 @: info@altex.ca	TORONTO T: 888.836.6980 @: sales@altex.ca	VANCOUVER T: 888.980.9899 @: servicewest@altex.ca
---	---	---







**ALTEX<sup>®</sup>**

---

SunProject<sup>™</sup>  
line of products

**MONTREAL**

3530, boul. des Entreprises

Terrebonne (Québec)

Canada J6X 4J8

Phone: 450-968-0880

Toll free: 800-363-5930

**TORONTO**

500 Applewood Crescent

Vaughan, Ontario

Canada L4K 4B4

Phone: 905-660-3117

Toll free: 888-836-6980

**VANCOUVER**

1160-21331 Gordon Way

Richmond, British Columbia

Canada V6W 1J9

Phone: 604-980-9899

Toll free: 888-980-9899

